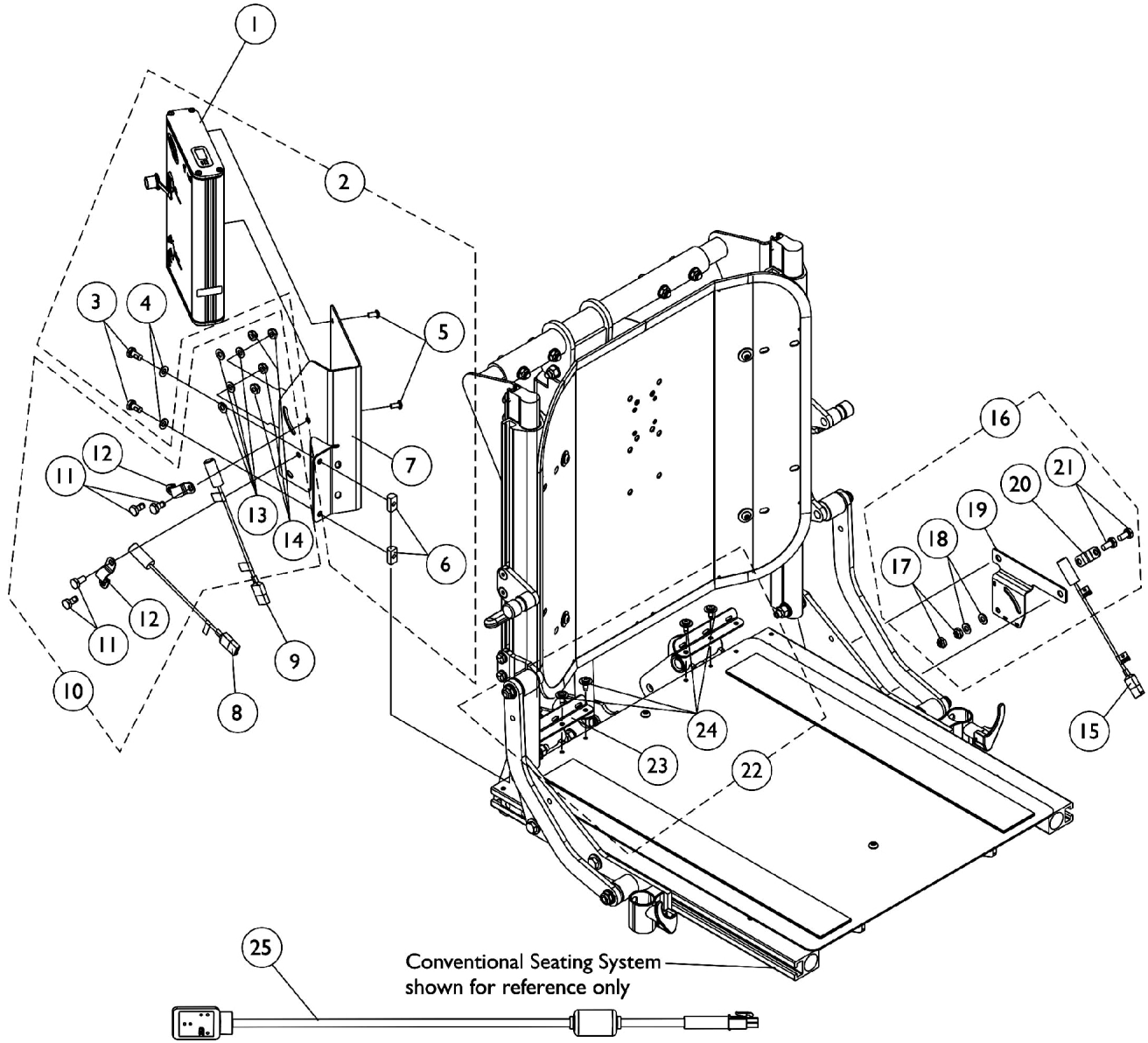


# MK5 TRECM and Switches Before 5/19/05

## Conventional Recline and Tilt/Recline

As of 7/1/2009, switches are mercury free.



# MK5 TRECM and Switches Before 5/19/05

## Conventional Recline and Tilt/Recline

As of 7/1/2009, switches are mercury free.

Item Number	Note	Part Number	Description	Quantity Per	
				Package	Assembly
1		1123263-NLA	NLA - Controller, MK5 TRECM	1	1
2	A	1125729	NLA - Kit, MK5 TRECM Mounting Hardware For Conventional Seating w/ Extruded Canes	1	1
3			Screw, Hex Head w/ Patch (1/4-20 x 1/2")	1	2
4			Washer (1/4 x 1/2 x 1/16")	1	2
5			NLA - Screw, Phillips Pan Head w/ Patch (#10-32 x 3/8")	1	2
6			T-Nut (1/4-20)	1	2
7			Bracket, TRECM Controller Mounting, Black	1	1
8		1080634-NLA	NLA - Harness, Drive Lockout Mercury Free Ball Switch	1	1
9		1123267-NLA	NLA - Harness, Recline Mercury Free Ball Switch	1	1
10	B	1125730-NLA	NLA - Kit, Drive Lockout/Recline Switch Mounting Hardware	2	1
11			Screw, Hex Head w/ Patch (1/4-20 x 1/2")	1	4
12			NLA - Bracket, Switch Mounting, Black	1	2
13			Washer (1/4 x 1/2 x 1/16")	1	4
14			Locknut (1/4-20)	1	4
15		1123268-NLA	NLA - Harness, Tilt Mercury Free Ball Switch	1	1
16	C	1125731-NLA	NLA - Kit, Tilt Mercury Switch Mounting Hardware	1	1
17			Locknut (1/4-20)	1	2
18			Washer (1/4 x 1/2 x 1/16")	1	2
19			NLA - Bracket, Mercury Switch Mounting, Black	1	1
20			NLA - Bracket, Switch Mounting, Black	1	1
21			Screw, Hex Head w/ Patch (1/4-20 x 1/2")	1	2
22	D	1133130-NLA	NLA - Kit, Seat Pan Wiring Brackets w/ Hardware	2	1
23			NLA - Bracket, Seat Pan Wiring, Black	1	2
24			Screw, Phillips Pan Head Tap (#10-32 x 1/2")	1	4
25		1119418	Cable, Auxiliary Power	1	1

NOTE: A - Includes items 3-9  
 B - Includes items 11-14  
 C - Includes items 17-21  
 D - Includes items 23 and 24