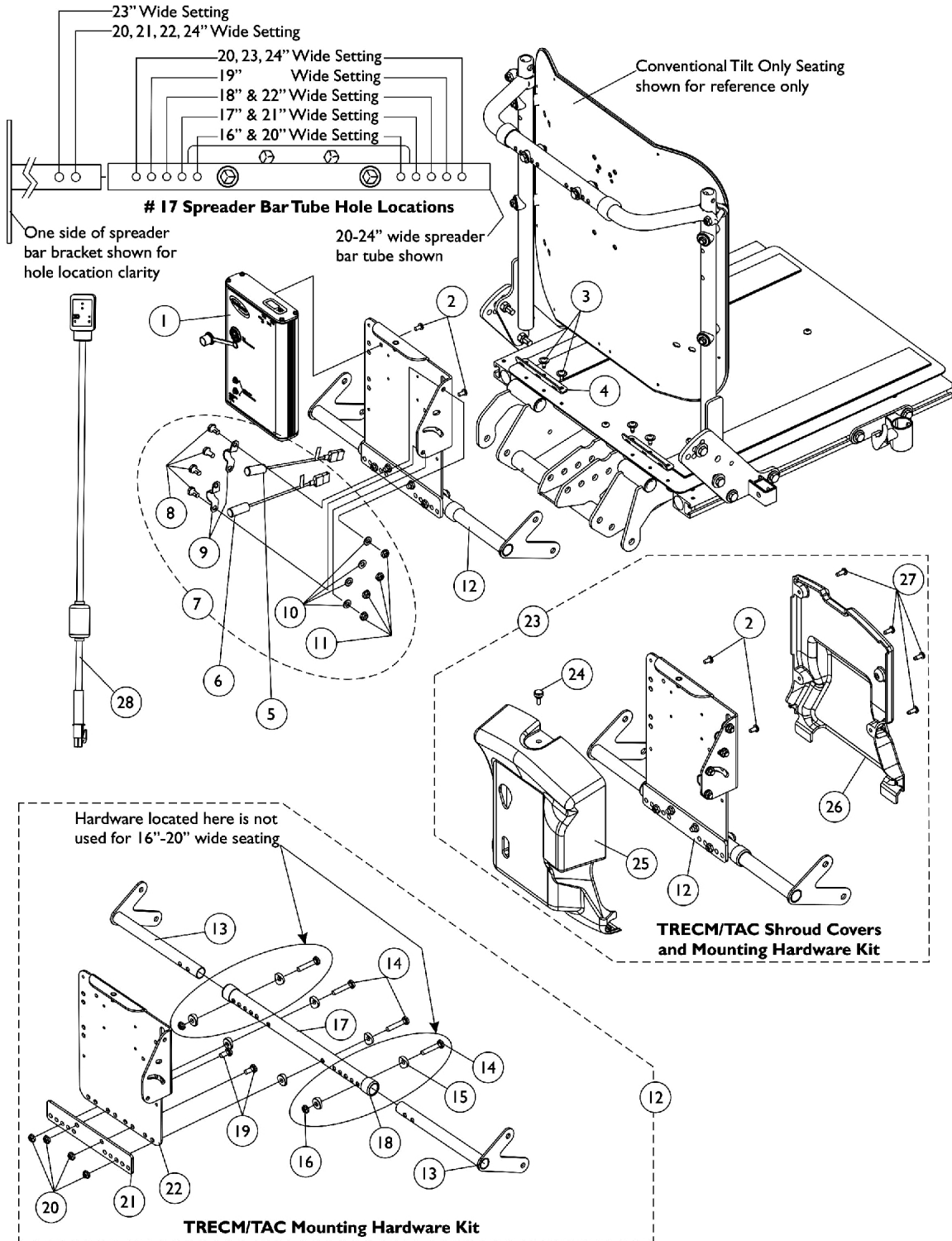


MK5 TRECM, Shroud Cover, Mercury Free Switches and Mounting Hardware

Conventional Tilt & Tilt w/ BPO Option

(After 1/25/06)

As of 7/1/2009, switches are mercury free.



MK5 TRECM, Shroud Cover, Mercury Free Switches and Mounting Hardware

Conventional Tilt & Tilt w/ BPO Option (After 1/25/06)

As of 7/1/2009, switches are mercury free.

Item Number	Note	Part Number	Description	Quantity Per	
				Package	Assembly
1		1123263-NLA	NLA - Controller, MK5 TRECM	1	1
2		1079316-NLA	NLA - Screw, Phillips Pan Head w/ Patch (#10-32 x 3/8")	1	2
3		1114308	Screw, Phillips Pan Head Tap (#10-32 x 1/2")	1	4
4		1125647-NLA	NLA - Bracket, Seat Pan Wiring, Black	1	2
5		1080634-NLA	NLA - Harness, Drive Lockout Mercury Free Ball Switch	1	1
6		1123268-NLA	NLA - Harness, Tilt Mercury Free Ball Switch	1	1
7	A	1125730-NLA	NLA - Kit, Drive Lockout/Recline Switch Mounting Hardware	2	1
8			Screw, Hex Head w/ Patch (1/4-20 x 1/2")	1	4
9			NLA - Bracket, Switch Mounting, Black	1	2
10			Washer (1/4 x 1/2 x 1/16")	1	4
11			Locknut (1/4-20)	1	4
12	B	1140266-NLA	NLA - Kit, TRECM/TAC/MK6i Connector Shroud Mtg. Hdwr. 16-20" Wide For Conventional Tilt Only	1	1
13			Bracket, Spreader Bar, Black - Right	1	1
13			Bracket, Spreader Bar, Black - Left	1	1
14			Screw, Hex Head (1/4-20 x 1-1/2")	1	2
15			Spacer, Coved (1/4 x 11/16 x 1/2")	1	4
17			Tube, Spreader Bar, Black (16 - 20" W)	1	1
18			Collar, Anti-Rattle (7/8")	1	2
19			Screw, Hex Head (1/4-20 x 5/8")	1	2
20			Locknut (1/4-20)	1	4
21			Plate, Mounting	1	1
22			NLA - TRECM/SAC/TAC/MK6i Connector Shroud Mounting Tray Assembly	1	1
12	C	1140267-NLA	NLA - Kit, TRECM/TAC/MK6i Connector Shroud Mtg. Hdwr. 20-24" Wide For Conventional Tilt Only	1	1
13			Bracket, Spreader Bar, Black - Right	1	1
13			Bracket, Spreader Bar, Black - Left	1	1
14			Screw, Hex Head (1/4-20 x 1-1/2")	1	4
15			Spacer, Coved (1/4 x 11/16 x 1/2")	1	8
16			Locknut (1/4-20)	1	2
17			Tube, Spreader Bar, Black (20 - 24" W)	1	1
18			Collar, Anti-Rattle (7/8")	1	2
19			Screw, Hex Head (1/4-20 x 5/8")	1	2
20			Locknut (1/4-20)	1	4
21			Plate, Mounting	1	1
22			NLA - TRECM/SAC/TAC/MK6i Connector Shroud Mounting Tray Assembly	1	1
23	D	1140268-NLA	NLA - Kit, TRECM/TAC/MK6i Connector Shrouds and Mtg. Hdwr. 16-20" Wide For Conventional Tilt Only	1	1

MK5 TRECM, Shroud Cover, Mercury Free Switches and Mounting Hardware

Conventional Tilt & Tilt w/ BPO Option (After 1/25/06)

As of 7/1/2009, switches are mercury free.

Item Number	Note	Part Number	Description	Quantity Per	
				Package	Assembly
2			NLA - Screw, Phillips Pan Head w/ Patch (#10-32 x 3/8")	1	2
13			Bracket, Spreader Bar, Black - Right	1	1
13			Bracket, Spreader Bar, Black - Left	1	1
14			Screw, Hex Head (1/4-20 x 1-1/2")	1	2
15			Spacer, Coved (1/4 x 11/16 x 1/2")	1	4
17			Tube, Spreader Bar, Black (16 - 20" W)	1	1
18			Collar, Anti-Rattle (7/8")	1	2
19			Screw, Hex Head (1/4-20 x 5/8")	1	2
20			Locknut (1/4-20)	1	4
21			Plate, Mounting	1	1
22			NLA - TRECM/SAC/TAC/MK6i Connector Shroud Mounting Tray Assembly	1	1
24			Screw, Thumb (#10-32 x 1/2")	1	1
25			NLA - Shroud, Cover	1	1
26			Shroud, Back	1	1
27			Screw, Phillips Pan Head Tap (#10-32 x 1/2")	1	4
23	E	1140269-NLA	NLA - Kit, TRECM/TAC/MK6i Connector Shrouds and Mtg. Hdwr. 20-24" Wide For Conventional Tilt Only	1	1
2			NLA - Screw, Phillips Pan Head w/ Patch (#10-32 x 3/8")	1	2
13			Bracket, Spreader Bar, Black - Right	1	1
13			Bracket, Spreader Bar, Black - Left	1	1
14			Screw, Hex Head (1/4-20 x 1-1/2")	1	4
15			Spacer, Coved (1/4 x 11/16 x 1/2")	1	8
16			Locknut (1/4-20)	1	2
17			Tube, Spreader Bar, Black (20 - 24" W)	1	1
18			Collar, Anti-Rattle (7/8")	1	2
19			Screw, Hex Head (1/4-20 x 5/8")	1	2
20			Locknut (1/4-20)	1	4
21			Plate, Mounting	1	1
22			NLA - TRECM/SAC/TAC/MK6i Connector Shroud Mounting Tray Assembly	1	1
24			Screw, Thumb (#10-32 x 1/2")	1	1
25			NLA - Shroud, Cover	1	1
26			Shroud, Back	1	1
27			Screw, Phillips Pan Head Tap (#10-32 x 1/2")	1	4
28		1119418	Cable, Auxiliary Power	1	1

**MK5 TRECM, Shroud Cover, Mercury Free Switches and
Mounting Hardware
Conventional Tilt & Tilt w/ BPO Option
(After 1/25/06)**

As of 7/1/2009, switches are mercury free.

NOTE:	A - Includes items 8-11
	B - Includes items 13-15 and 17-22
	C - Includes items 13-22
	D - Includes items 2, 13-15, 17-22 and 24-27
	E - Includes items 2, 13-22 and 24-27