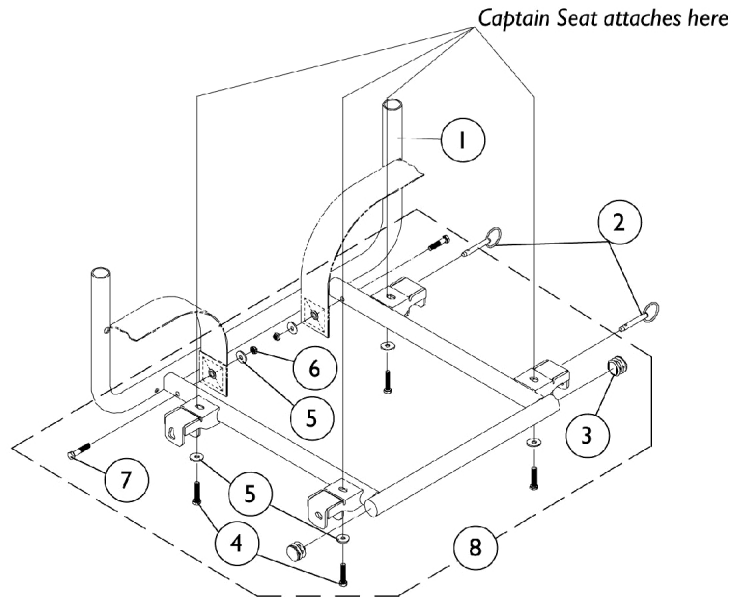
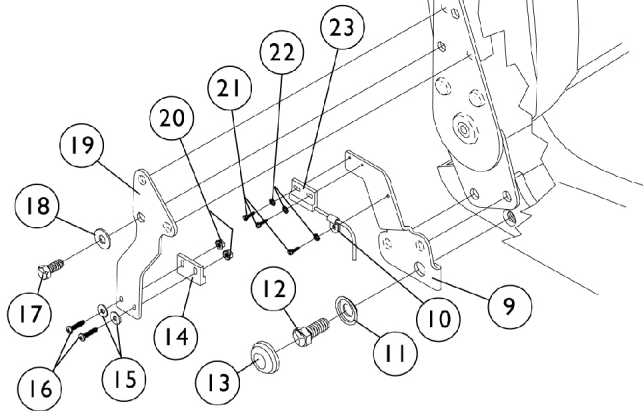


Captain Seat Frame and Actuator Hardware (Before 9/1/02)

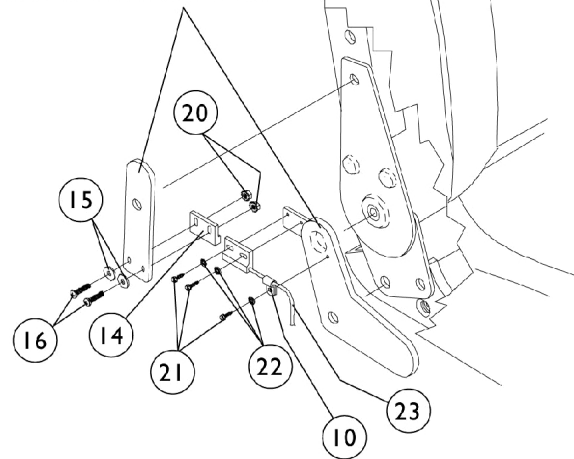


*Captain Seat shown
for ref. only*



**Actuator Attaching Hardware
Before 8/16/99
(High Back 18" Wide Models Only)**

*Upper/Lower Actuator
Brackets are non-serviceable*



**Actuator Attaching Hardware
After 8/15/99
(High Back 18" Wide Models Only)**

Captain Seat Frame and Actuator Hardware (Before 9/1/02)

Item Number	Note	Part Number	Description	Quantity Per	
				Package	Assembly
1		1070751-NLA	NLA - Frame, Seat, Color	1	1
2		1071602-NLA	NLA - Pin, Anchor (Captain Seat)	1	4
3		1029501	Plug Button, Black (1")	1	2
4	B	1071603-NLA	NLA - Screw, Hex Head w/ Patch (M6 x 1 x 20mm)	1	4
4	C	1045267	Screw, Hex Head w/ Patch (1/4-20 x 3/4")	1	4
5		1026900	Washer (1/4 x 23/32 x 1/16")	1	6
6		7930333	Locknut (1/4-20)	25	2
7		1037610	Screw, Hex Head (1/4-20 x 1-5/8")	1	2
8	B,D	1074115-NLA	NLA - Hardware, Seat Mounting, Extended Backs (18" W)	1	1
8	C,D	1079207-NLA	NLA - Hardware, Seat Mounting, Extended Backs and Forward Folding Seat (18" W)	1	1
9		1076392-NLA	NLA - Bracket, Lower Limit Switch Sensor, Black	1	1
10		1098624-NLA	NLA - Clamp, Cable	1	1
11		1016289	Washer, Caplugs (15/32" I.D. x 1-3/32" O.D.)	1	1
12		1076568-NLA	NLA - Screw, Hex Head (7/16-20 x 1")	1	1
13		1016291	Cap, Hub, Black	1	1
14		1024001	Sensor, Actuator Switch	1	1
15		16348X007	Rivet Washer (1/8 x 3/8 x 1/16")	1	2
16		1074128	Screw, Phillips Pan Head (#4-40 x 7/16")	1	2
17		7930322-NLA	NLA - Package, Screw, Hex Head (M8 x 1.25 x 20mm)	25	1
18		7930358-NLA	NLA - Washer, Steel (5/16 x 3/4 x 1/16")	25	1
19		1076394	Bracket, Upper Limit Sensor Switch	1	1
20		P0870X000	Nut, Hex Keps (#4-40)	1	2
21		1025116-NLA	NLA - Screw, Slotted Hex Washer Head Tap (#4-3/8")	1	3
22		1008525-NLA	NLA - Washer, Internal Tooth Lock (#4-40)	1	3
23	A	1074983-NLA	NLA - Cable, Limit Switch Sensor	1	1

NOTE: A - Item number 23 is not included with a high back seat assembly.
 B - High Backs 18" Wide.
 C - Extended Backs and Forward Folding Seats 18" Wide.
 D - Includes Items 3-7.