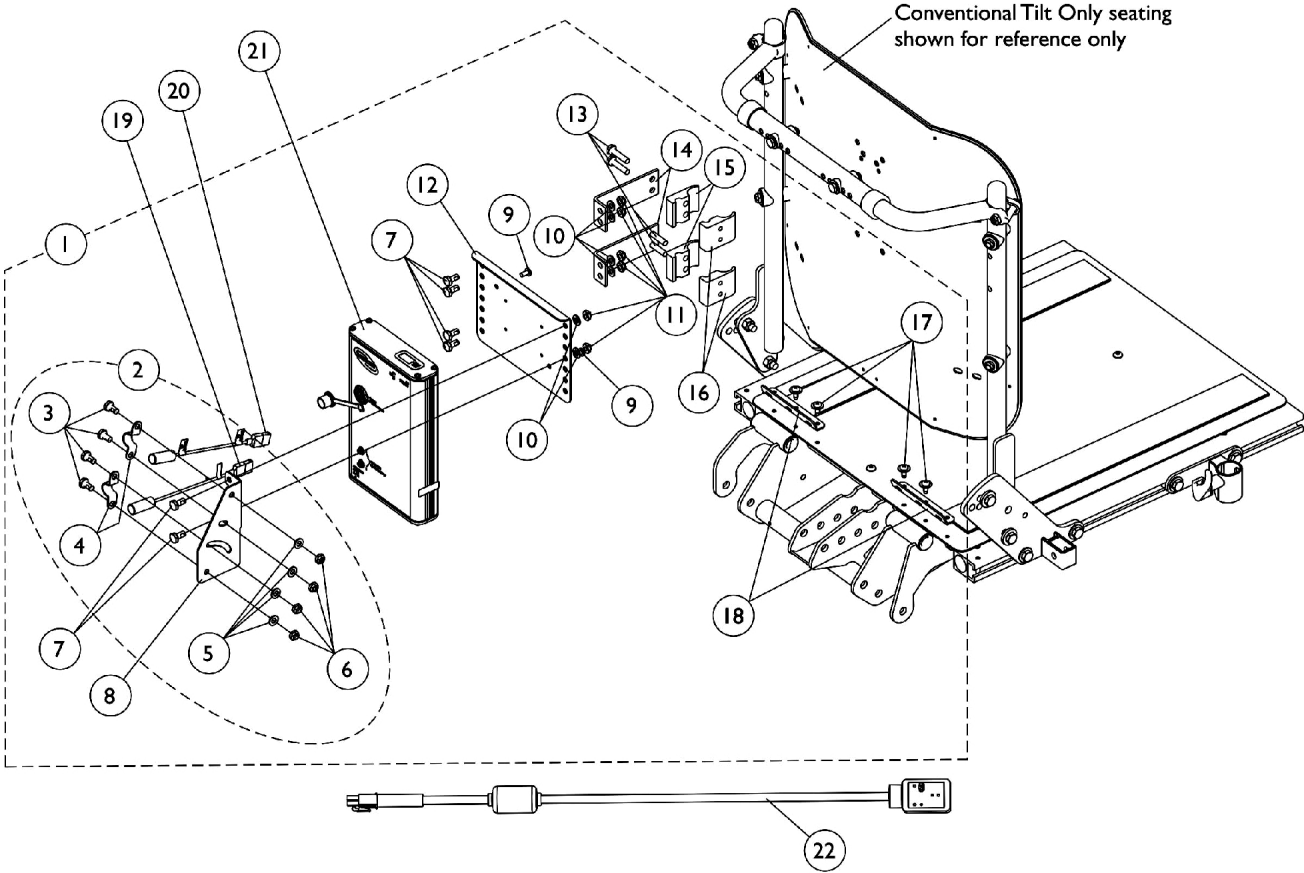


MK5 TRECM, Mercury Free Switches and Mounting Hardware

Conventional Tilt & Tilt w/ BPO Option
(1/17/05-4/14/05)

As of 7/1/2009, switches are mercury free.



MK5 TRECM, Mercury Free Switches and Mounting Hardware

Conventional Tilt & Tilt w/ BPO Option (1/17/05-4/14/05)

As of 7/1/2009, switches are mercury free.

Item Number	Note	Part Number	Description	Quantity Per	
				Package	Assembly
1	A	1128359-NLA	NLA - Kit, TRECM/TAC and Switch Mounting Hardware	1	1
3			Screw, Hex Head w/ Patch (1/4-20 x 1/2")	1	4
4			NLA - Bracket, Switch Mounting, Black	1	2
5			Washer (1/4 x 1/2 x 1/16")	1	4
6			Locknut (1/4-20)	1	4
7			Screw, Hex Head w/ Patch (1/4-20 x 1/2")	1	6
8			Bracket, Mercury Switch Mounting, Black	1	1
9			NLA - Screw, Phillips Pan Head w/ Patch (#10-32 x 3/8")	1	2
10			Washer (1/4 x 1/2 x 1/16")	1	6
11			Locknut (1/4-20)	1	6
12			NLA - Bracket, Controller Mounting, Black	1	1
13			NLA - Screw, Hex Head (1/4-20 x 1-1/8")	1	4
14			NLA - Bracket, Standoff, Black	1	2
15			Half Clamp, Non-Threaded Holes	1	2
16			NLA - Half Clamp, Threaded Holes	1	2
17			Screw, Phillips Pan Head Tap (#10-32 x 1/2")	1	4
18			NLA - Bracket, Seat Pan Wiring, Black	1	2
19		1080634-NLA	NLA - Harness, Drive Lockout Mercury Free Ball Switch	1	1
20		1123268-NLA	NLA - Harness, Tilt Mercury Free Ball Switch	1	1
21		1123263-NLA	NLA - Controller, MK5 TRECM	1	1
2	B	1125730-NLA	NLA - Kit, Drive Lockout/Recline Switch Mounting Hardware	2	1
3			Screw, Hex Head w/ Patch (1/4-20 x 1/2")	1	4
4			NLA - Bracket, Switch Mounting, Black	1	2
5			Washer (1/4 x 1/2 x 1/16")	1	4
6			Locknut (1/4-20)	1	4
22		1119418	Cable, Auxiliary Power	1	1

NOTE: A - Includes items 3-18
B - Includes items 3-6

Mounting hardware after 1/16/05 will now accommodate the Personal Back 10 and DualFlex Backs from Invacare.