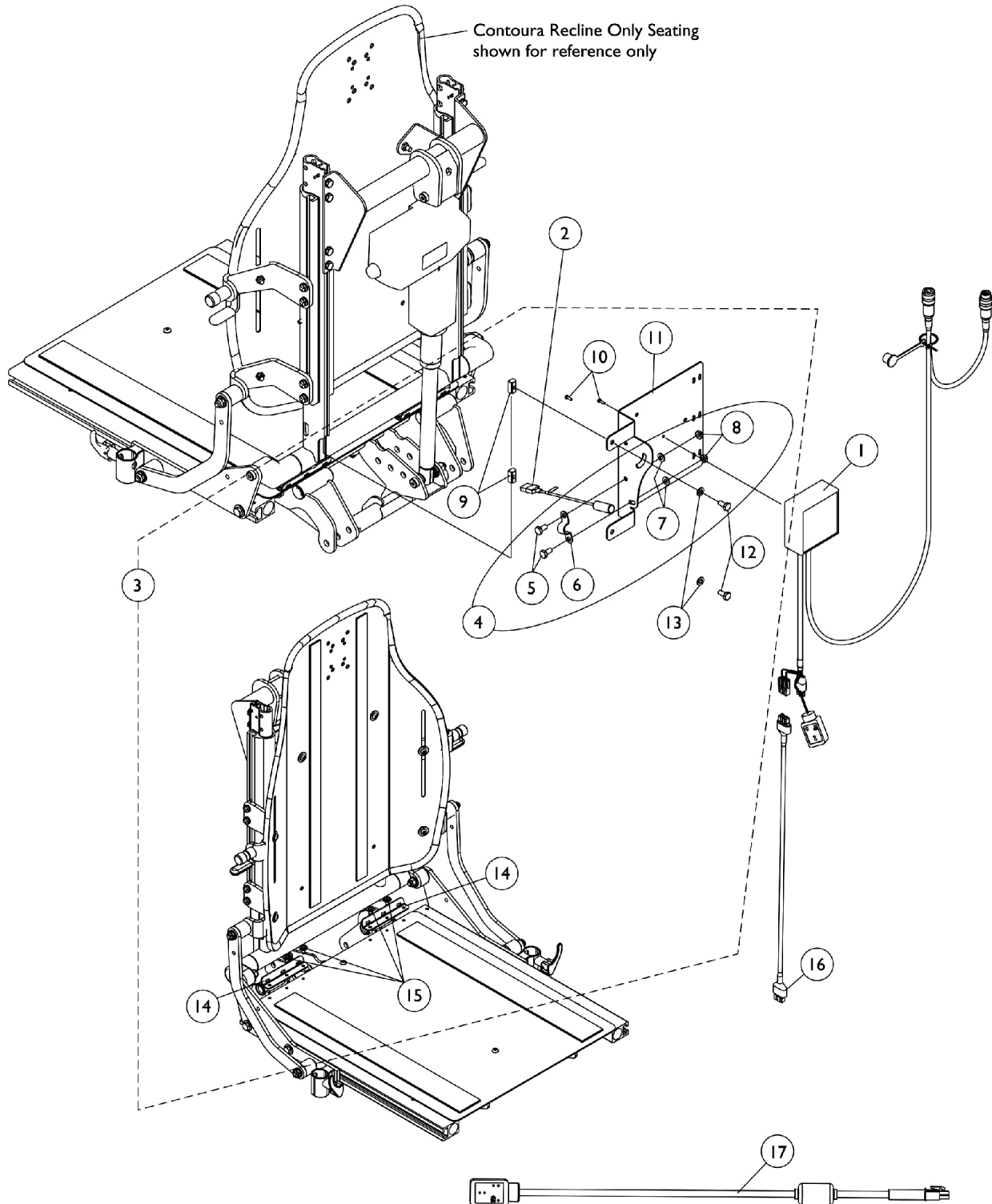


# MK5 SAC and Mounting Hardware

## Contoura Recline Only & Contoura Tilt Only

(Before 1/6/06)

As of 7/1/2006, switches are mercury free.



# MK5 SAC and Mounting Hardware

## Contoura Recline Only & Contoura Tilt Only

### (Before 1/6/06)

As of 7/1/2006, switches are mercury free.

Item Number	Note	Part Number	Description	Quantity Per	
				Package	Assembly
1	C	1119458-NLA	NLA - Control, MK5 SAC	1	1
2		1080635-NLA	NLA - Harness, Recline/Tilt Limit Mercury Free Ball Switch	1	1
3	A	1125771-NLA	NLA - Kit, SAC/Mercury Switch Mounting Hardware	1	1
5			Screw, Hex Head w/ Patch (1/4-20 x 1/2")	1	2
6			NLA - Bracket, Switch Mounting, Black	1	1
7			Washer (1/4 x 1/2 x 1/16")	1	2
8			Locknut (1/4-20)	1	2
9			T-Nut (1/4-20)	1	2
10			Screw, Phillips Pan Head (#4-40 x 3/8")	1	2
11			NLA - Bracket, Mounting, Black	1	1
12			Screw, Hex Head w/ Patch (1/4-20 x 1/2")	1	2
13			Washer (1/4 x 1/2 x 1/16")	1	2
14			NLA - Bracket, Seat Pan Wiring, Black	1	2
15			Screw, Phillips Pan Head Tap (#10-32 x 1/2")	1	4
4	B	1125770-NLA	NLA - Kit, Switch Mounting Hardware	1	1
5			Screw, Hex Head w/ Patch (1/4-20 x 1/2")	1	2
6			NLA - Bracket, Switch Mounting, Black	1	1
7			Washer (1/4 x 1/2 x 1/16")	1	2
8			Locknut (1/4-20)	1	2
16		1126179-NLA	NLA - Harness, Actuator Extension To SAC or TRSS	1	1
17		1119418	Cable, Auxiliary Power	1	1

NOTE: A - Includes items 5-15  
 B - Includes items 5-8  
 C - MK5 SAC was discontinued and replaced with a MK5 TAC. See page titled "MK5 TAC, Mercury Switches and Hardware" dated after 1/5/06