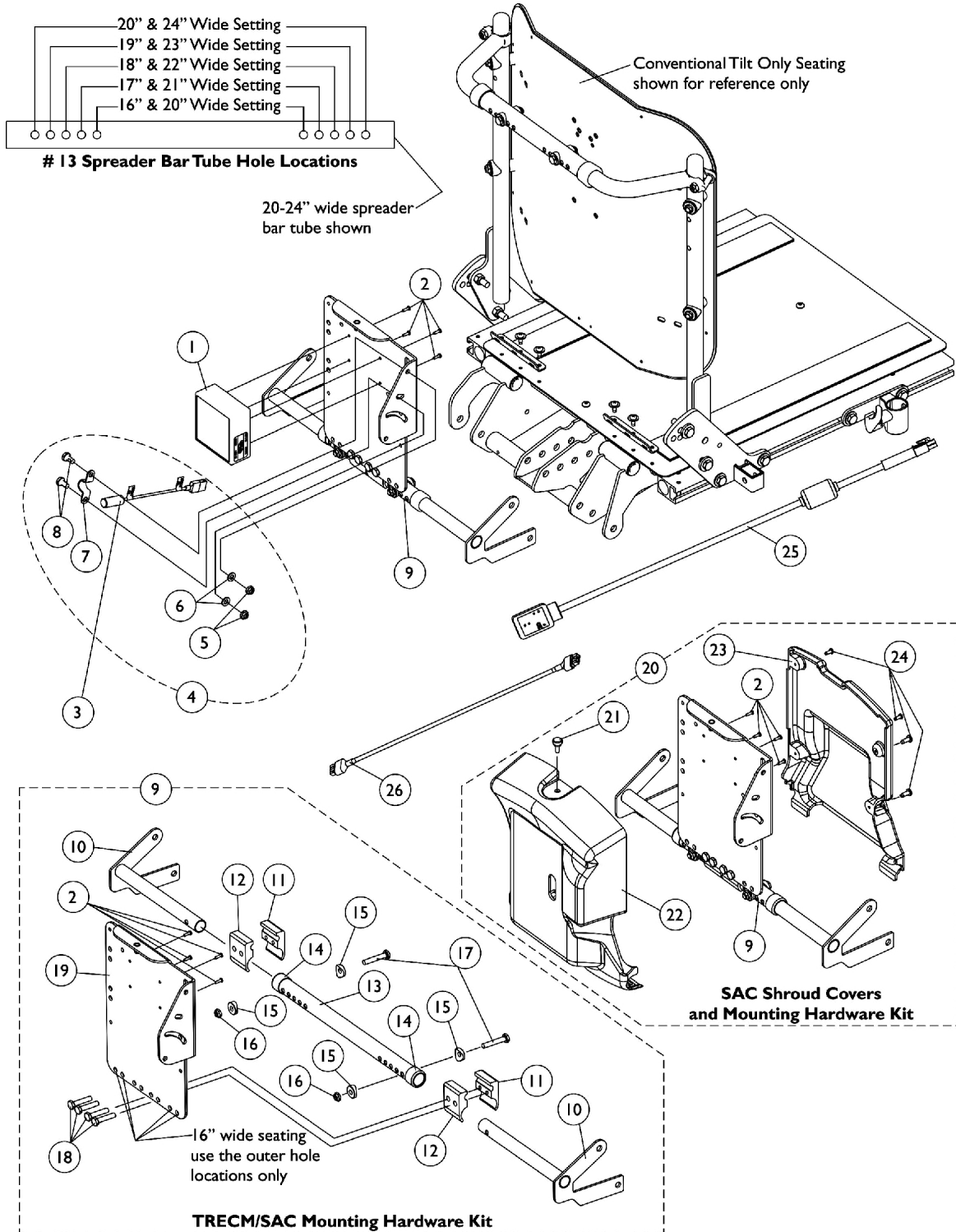


MK5 SAC, Shroud Cover and Mounting Hardware

Conventional Tilt & Tilt w/ BPO Option

(4/15/05-10/19/05)

As of 7/1/2009, switches are mercury free.



MK5 SAC, Shroud Cover and Mounting Hardware

Conventional Tilt & Tilt w/ BPO Option

(4/15/05-10/19/05)

As of 7/1/2009, switches are mercury free.

Item Number	Note	Part Number	Description	Quantity Per	
				Package	Assembly
1	E	1119458-NLA	NLA - Control, MK5 SAC	1	1
2		1052041	Screw, Phillips Pan Head (#4-40 x 3/8")	1	4
3		1123268-NLA	NLA - Harness, Tilt Mercury Free Ball Switch	1	1
4	A	1125770-NLA	NLA - Kit, Switch Mounting Hardware	1	1
5			Locknut (1/4-20)	1	2
6			Washer (1/4 x 1/2 x 1/16")	1	2
7			NLA - Bracket, Switch Mounting, Black	1	1
8			Screw, Hex Head w/ Patch (1/4-20 x 1/2")	1	2
9	B,D	1128362-NLA	NLA - Kit, TRECM/SAC Mounting Hardware 16-20" Wide For Conventional Tilt Only	1	1
2			NLA - Screw, Phillips Pan Head w/ Patch (#10-32 x 3/8")	1	2
2			Screw, Phillips Pan Head (#4-40 x 3/8")	1	4
10			Bracket, Spreader Bar, Black - Right	1	1
10			Bracket, Spreader Bar, Black - Left	1	1
11			NLA - Half Clamp, Threaded Holes	1	2
12			Half Clamp, Non-Threaded Holes	1	2
13			Tube, Spreader Bar, Black (16 - 20" W)	1	1
14			Collar, Anti-Rattle (7/8")	1	2
15			Spacer, Coved (1/4 x 11/16 x 1/2")	1	4
16			Locknut (1/4-20)	1	2
17			NLA - Screw, Hex Head (1/4-20 x 1-3/8")	1	2
18			Screw, Hex Head (1/4-20 x 1-1/4")	1	4
19			NLA - TRECM/SAC/TAC/MK6i Connector Shroud Mounting Tray Assembly	1	1
9	B,D	1128361-NLA	NLA - Kit, TRECM/SAC Mounting Hardware 20-24" Wide For Conventional Tilt Only	1	1
2			NLA - Screw, Phillips Pan Head w/ Patch (#10-32 x 3/8")	1	2
2			Screw, Phillips Pan Head (#4-40 x 3/8")	1	4
10			Bracket, Spreader Bar, Black - Right	1	1
10			Bracket, Spreader Bar, Black - Left	1	1
11			NLA - Half Clamp, Threaded Holes	1	2
12			Half Clamp, Non-Threaded Holes	1	2
13			Tube, Spreader Bar, Black (20 - 24" W)	1	1
14			Collar, Anti-Rattle (7/8")	1	2
15			Spacer, Coved (1/4 x 11/16 x 1/2")	1	4
16			Locknut (1/4-20)	1	2
17			NLA - Screw, Hex Head (1/4-20 x 1-3/8")	1	2
18			Screw, Hex Head (1/4-20 x 1-1/4")	1	4
19			NLA - TRECM/SAC/TAC/MK6i Connector Shroud Mounting Tray Assembly	1	1
20	C,D,F, F1	1133807-NLA	Kit, SAC Shrouds and Mounting Hardware 16-20" Wide For Conventional Tilt Only	1	1
2			Screw, Phillips Pan Head (#4-40 x 3/8")	1	4

MK5 SAC, Shroud Cover and Mounting Hardware

Conventional Tilt & Tilt w/ BPO Option

(4/15/05-10/19/05)

As of 7/1/2009, switches are mercury free.

Item Number	Note	Part Number	Description	Quantity Per	
				Package	Assembly
10			Bracket, Spreader Bar, Black - Right	1	1
10			Bracket, Spreader Bar, Black - Left	1	1
11			NLA - Half Clamp, Threaded Holes	1	2
12			Half Clamp, Non-Threaded Holes	1	2
13			Tube, Spreader Bar, Black (16 - 20" W)	1	1
14			Collar, Anti-Rattle (7/8")	1	2
15			Spacer, Coved (1/4 x 11/16 x 1/2")	1	4
16			Locknut (1/4-20)	1	2
17			NLA - Screw, Hex Head (1/4-20 x 1-3/8")	1	2
18			Screw, Hex Head (1/4-20 x 1-1/4")	1	4
19			NLA - TRECM/SAC/TAC/MK6i Connector Shroud Mounting Tray Assembly	1	1
21			Screw, Thumb (#10-32 x 1/2")	1	1
22			NLA - Shroud, SAC Cover	1	1
23			Shroud, Back	1	1
24			Screw, Phillips Pan Head Tap (#10-32 x 1/2")	1	4
20	C,D,F, F1	1133836-NLA	Kit, SAC Shrouds and Mounting Hardware 20-24" Wide For Conventional Tilt Only	1	1
2			Screw, Phillips Pan Head (#4-40 x 3/8")	1	4
10			Bracket, Spreader Bar, Black - Right	1	1
10			Bracket, Spreader Bar, Black - Left	1	1
11			NLA - Half Clamp, Threaded Holes	1	2
12			Half Clamp, Non-Threaded Holes	1	2
13			Tube, Spreader Bar, Black (20 - 24" W)	1	1
14			Collar, Anti-Rattle (7/8")	1	2
15			Spacer, Coved (1/4 x 11/16 x 1/2")	1	4
16			Locknut (1/4-20)	1	2
17			NLA - Screw, Hex Head (1/4-20 x 1-3/8")	1	2
18			Screw, Hex Head (1/4-20 x 1-1/4")	1	4
19			NLA - TRECM/SAC/TAC/MK6i Connector Shroud Mounting Tray Assembly	1	1
21			Screw, Thumb (#10-32 x 1/2")	1	1
22			NLA - Shroud, SAC Cover	1	1
23			Shroud, Back	1	1
24			Screw, Phillips Pan Head Tap (#10-32 x 1/2")	1	4
25		1119418	Cable, Auxiliary Power	1	1
26		1126179-NLA	NLA - Harness, Actuator Extension To SAC or TRSS	1	1

MK5 SAC, Shroud Cover and Mounting Hardware

Conventional Tilt & Tilt w/ BPO Option

(4/15/05-10/19/05)

As of 7/1/2009, switches are mercury free.

NOTE: A - Includes items 5-8
B - Includes items 2 and 10-19
C - Includes items 2, 10-19 and 21-24
D - Item 2 includes both attaching hardware screws for the MK5 TRECM and the MK5 SAC controller. Part number 1052041 screw is used to assemble a MK5 SAC to item 19 Mounting Tray Assembly.
E - MK5 SAC was discontinued and replaced with a MK5 TAC. See page titled "MK5 TAC and Mounting Hardware" dated after 1/25/06.
F - No Longer Available. When a complete Shroud and Mounting Hardware is requested, See page titled "MK5 TAC Controller, Shroud Covers, Mercury Switches and Hardware" After 01/25/06 and order item 22.
F1 - When a MK5 SAC has not been replaced by a MK5 TAC, use the 4 existing mounting screws (item 2 part #1052041) to mount the MK5 SAC control