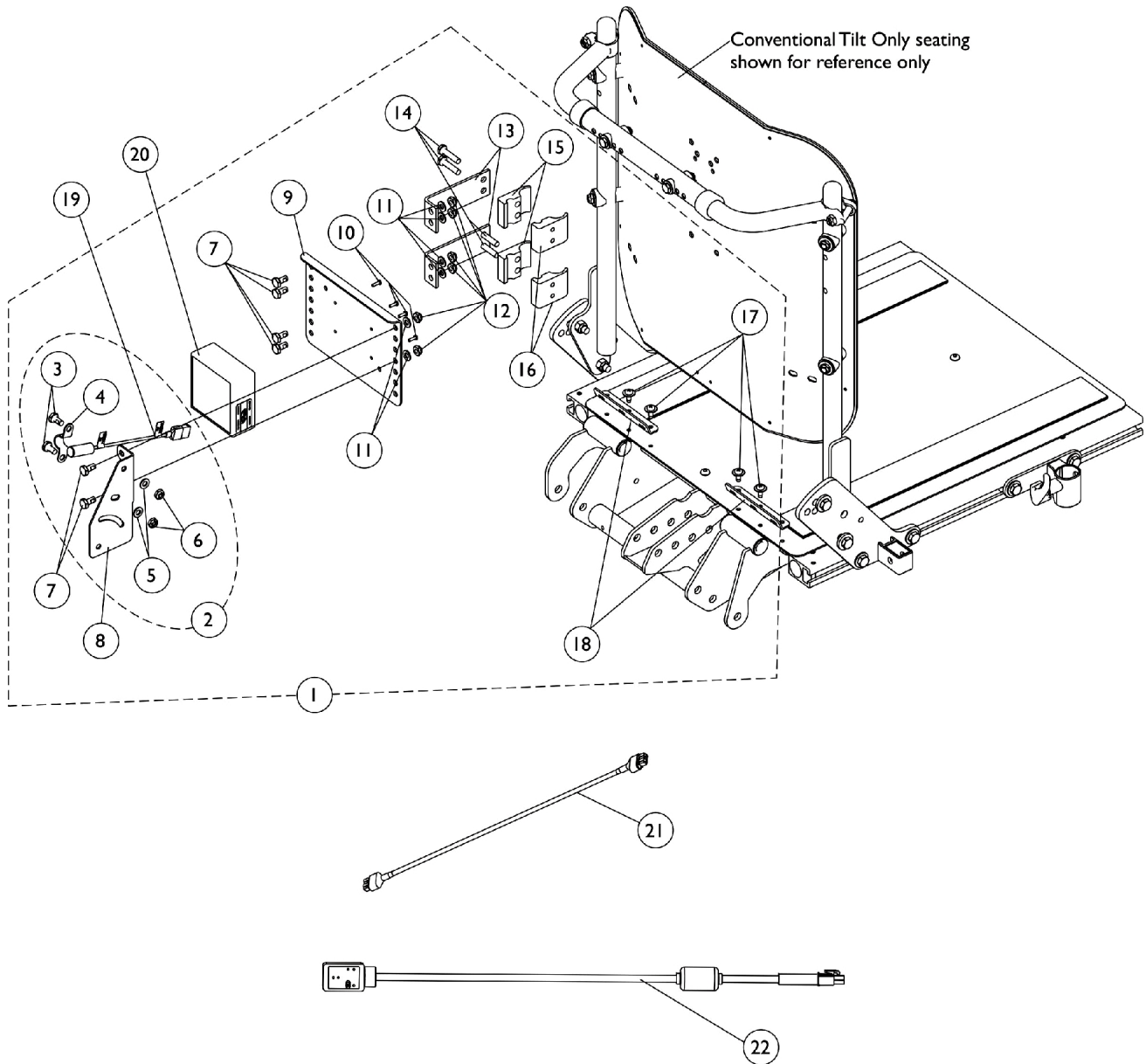


MK5 SAC and Mounting Hardware

Conventional Tilt & Tilt w/ BPO Option

(1/17/05-4/14/05)

As of 7/1/2009, switches are mercury free.



MK5 SAC and Mounting Hardware

Conventional Tilt & Tilt w/ BPO Option

(1/17/05-4/14/05)

As of 7/1/2009, switches are mercury free.

Item Number	Note	Part Number	Description	Quantity Per	
				Package	Assembly
1	A	1128358	Kit, SAC/Mercury Switch Mounting Hardware For Conventional Tilt Only	1	1
3			Screw, Hex Head w/ Patch (1/4-20 x 1/2")	1	2
4			NLA - Bracket, Switch Mounting, Black	1	1
5			Washer (1/4 x 1/2 x 1/16")	1	2
6			Locknut (1/4-20)	1	2
7			Screw, Hex Head w/ Patch (1/4-20 x 1/2")	1	6
8			Bracket, Mercury Switch Mounting, Black	1	1
9			NLA - Bracket, Controller Mounting, Black	1	1
10			Screw, Phillips Pan Head (#4-40 x 3/8")	1	4
11			Washer (1/4 x 1/2 x 1/16")	1	6
12			Locknut (1/4-20)	1	6
13			NLA - Bracket, Standoff, Black	1	2
14			NLA - Screw, Hex Head (1/4-20 x 1-1/8")	1	4
15			Half Clamp, Non-Threaded Holes	1	2
16			NLA - Half Clamp, Threaded Holes	1	2
17			Screw, Phillips Pan Head Tap (#10-32 x 1/2")	1	4
18			NLA - Bracket, Seat Pan Wiring, Black	1	2
19		1123268-NLA	NLA - Harness, Tilt Mercury Free Ball Switch	1	1
20	C	1119458-NLA	NLA - Control, MK5 SAC	1	1
21		1126179-NLA	NLA - Harness, Actuator Extension To SAC or TRSS	1	1
22		1119418	Cable, Auxiliary Power	1	1
2	B	1125770-NLA	NLA - Kit, Switch Mounting Hardware	1	1
3			Screw, Hex Head w/ Patch (1/4-20 x 1/2")	1	2
4			NLA - Bracket, Switch Mounting, Black	1	1
5			Washer (1/4 x 1/2 x 1/16")	1	2
6			Locknut (1/4-20)	1	2

NOTE: A - Includes items 3-18
 B - Includes items 3-6
 C - MK5 SAC was discontinued and replaced with a MK5 TAC. See page titled "MK5 TAC and Mounting Hardware" dated 01/06/06-01/25/06

Mounting hardware after 1/16/05 will now accommodate the Personal Back 10 and DualFlex Backs from Invacare.