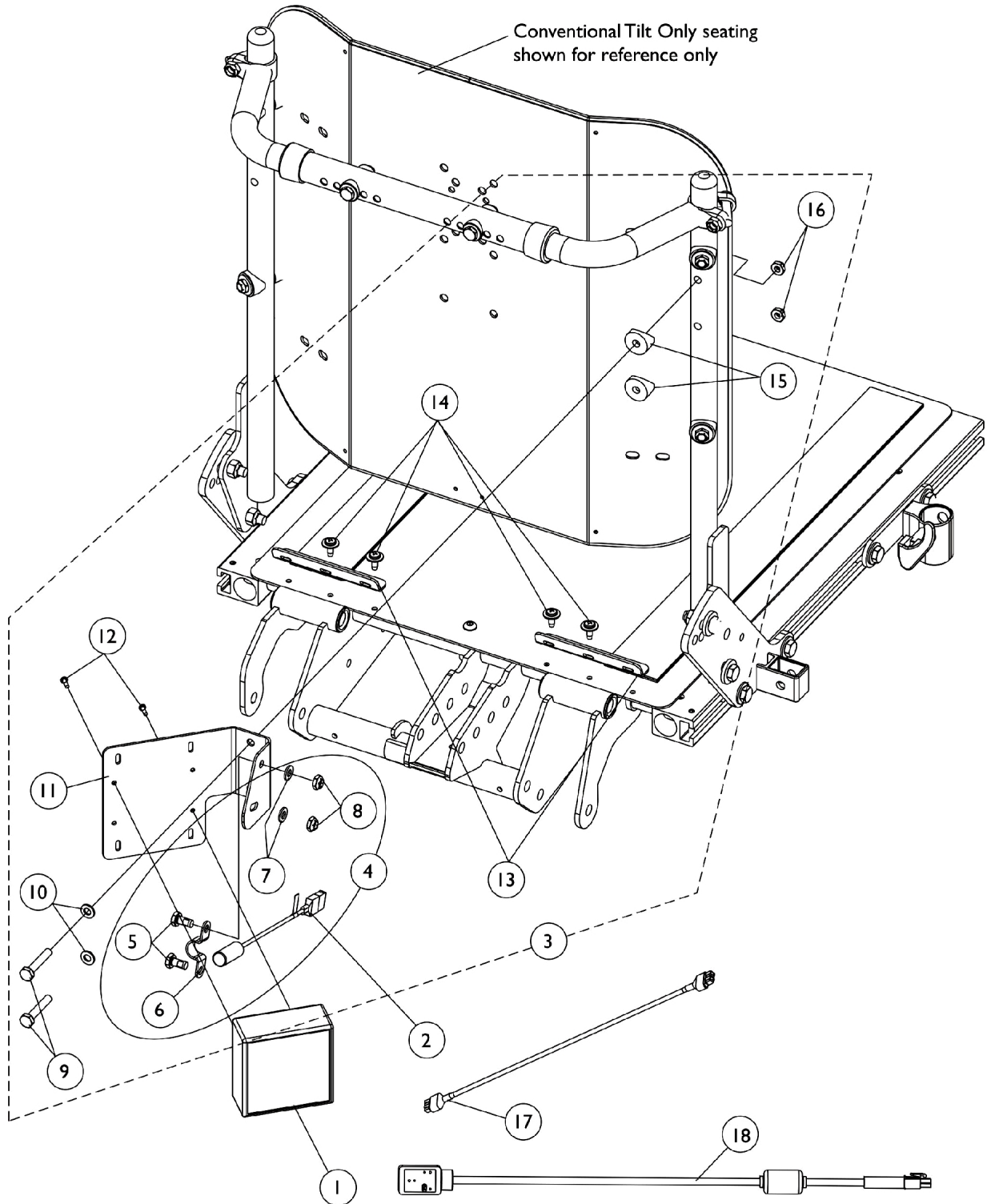


# MK5 SAC and Mounting Hardware

## Conventional Tilt and Tilt w/ BPO Option (Before 1/17/05)

As of 7/1/2009, switches are mercury free.



# MK5 SAC and Mounting Hardware

## Conventional Tilt and Tilt w/ BPO Option (Before 1/17/05)

As of 7/1/2009, switches are mercury free.

Item Number	Note	Part Number	Description	Quantity Per	
				Package	Assembly
1	C	1119458-NLA	NLA - Control, MK5 SAC	1	1
2		1080635-NLA	NLA - Harness, Recline/Tilt Limit Mercury Free Ball Switch	1	1
3	A	1125772-NLA	NLA - Kit, SAC/Mercury Switch Mounting Hardware For Conventional Tilt Only	1	1
5			Screw, Hex Head w/ Patch (1/4-20 x 1/2")	1	2
6			NLA - Bracket, Switch Mounting, Black	1	1
7			Washer (1/4 x 1/2 x 1/16")	1	2
8			Locknut (1/4-20)	1	2
9			NLA - Screw, Hex Head (1/4-20 x 1-3/8")	1	2
10			Washer (1/4 x 1/2 x 1/16")	1	2
11			NLA - Bracket, MK5 SAC Mounting, Black	1	1
12			Screw, Phillips Pan Head (#4-40 x 3/8")	1	2
13			NLA - Bracket, Seat Pan Wiring, Black	1	2
14			Screw, Phillips Pan Head Tap (#10-32 x 1/2")	1	4
15			NLA - Spacer, Coved (1/4 x 7/8 x 7/16")	1	2
16			Locknut (1/4-20)	1	2
4	B	1125770-NLA	NLA - Kit, Switch Mounting Hardware	1	1
5			Screw, Hex Head w/ Patch (1/4-20 x 1/2")	1	2
6			NLA - Bracket, Switch Mounting, Black	1	1
7			Washer (1/4 x 1/2 x 1/16")	1	2
8			Locknut (1/4-20)	1	2
17		1126179-NLA	NLA - Harness, Actuator Extension To SAC or TRSS	1	1
18		1119418	Cable, Auxiliary Power	1	1

NOTE: A - Includes items 5-16  
 B - Includes items 5-8  
 C - MK5 SAC was discontinued and replaced with a MK5 TAC. See page titled "MK5 TAC and Mounting Hardware" dated 01/06/06-01/25/06