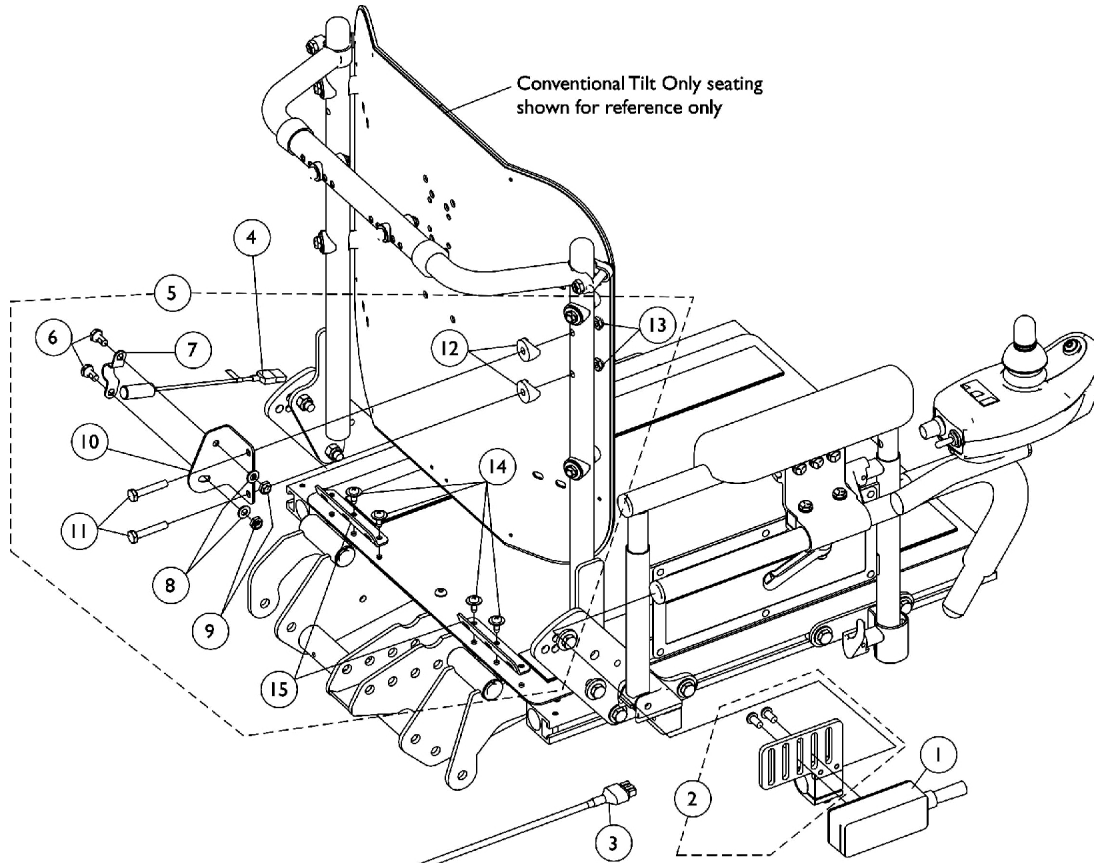


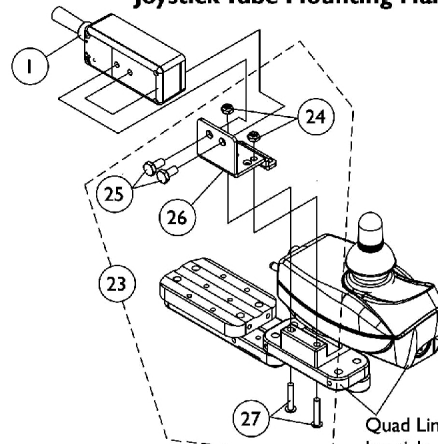
TRSS Toggle and Mounting Hardware

Conventional Tilt and Tilt w/ BPO Option (Before 1/17/05)

As of 7/1/2009, switches are mercury free. TRSS Tilt Recline Single Switch is not used with MK6i electronics.

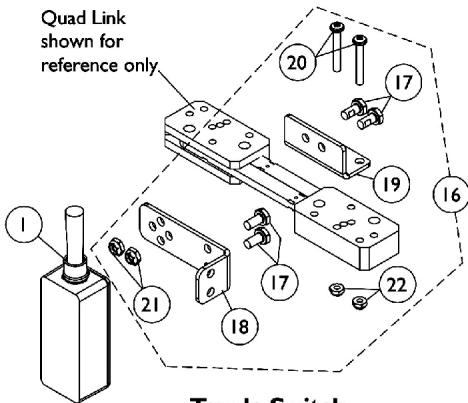


**Toggle Switch
Joystick Tube Mounting Hardware**



Quad Link and Joystick shown for reference only

Quad Link shown for reference only



**Toggle Switch
Quad Link Mounting Hardware
Before 10/31/05**

**Toggle Switch
Quad Link Mounting Hardware
After 10/30/05**

TRSS Toggle and Mounting Hardware

Conventional Tilt and Tilt w/ BPO Option

(Before 1/17/05)

As of 7/1/2009, switches are mercury free. TRSS Tilt Recline Single Switch is not used with MK6i electronics.

Item Number	Note	Part Number	Description	Quantity Per	
				Package	Assembly
1		1089384	Switch, Toggle Tilt Recline Single (TRSS)	1	1
2	A	1125722-NLA	NLA - Toggle Switch Mounting Bracket Assembly	1	1
3		1126179-NLA	NLA - Harness, Actuator Extension To SAC or TRSS	1	1
4		1080635-NLA	NLA - Harness, Recline/Tilt Limit Mercury Free Ball Switch	1	1
5	B	1128350-NLA	NLA - Kit, Brackets with Hardware For Conventional Tilt Only with TRSS	1	1
6			Screw, Hex Head w/ Patch (1/4-20 x 1/2")	1	2
7			NLA - Bracket, Switch Mounting, Black	1	1
8			Washer (1/4 x 1/2 x 1/16")	1	2
9			Locknut (1/4-20)	1	2
10			NLA - Bracket, Drive Lockout, Black	1	1
11			NLA - Screw, Hex Head (1/4-20 x 1-3/8")	1	2
12			NLA - Spacer, Coved (1/4 x 7/8 x 7/16")	1	2
13			Locknut (1/4-20)	1	2
14			Screw, Phillips Pan Head Tap (#10-32 x 1/2")	1	4
15			NLA - Bracket, Seat Pan Wiring, Black	1	2
16	C	1091497-NLA	NLA - Kit, Quad Link Toggle Switch Mounting Hardware	1	1
17			Screw, Hex Head w/ Patch (1/4-20 x 1/2")	1	4
18			NLA - Bracket, Toggle Switch Mounting, Black	1	1
19			NLA - Bracket, Quad Link Toggle Switch Mounting, Black	1	1
20			Screw, Phillips Pan Head (#10-32 x 1-3/8")	1	2
21			Locknut (1/4-20)	1	2
22			Locknut (#10-32)	1	2
23	D	1139684-NLA	NLA - Kit, Quad Link Toggle Switch Mounting Hardware	1	1
24			Locknut (#10-32)	1	2
25			Screw, Hex Head w/ Patch (1/4-20 x 1/2")	1	2
26			Bracket, Toggle Switch Mounting, Black	1	1
27			Screw, Phillips Pan Head w/Patch (#10-32 x 7/8")	1	2

NOTE: A - Includes Bracket, Half Clamps and Screws. Individual components are not sold separately
 B - Includes items 6-15
 C - Before 10/31/05 and includes items 17-22
 D - After 10/30/05 and includes items 24-27