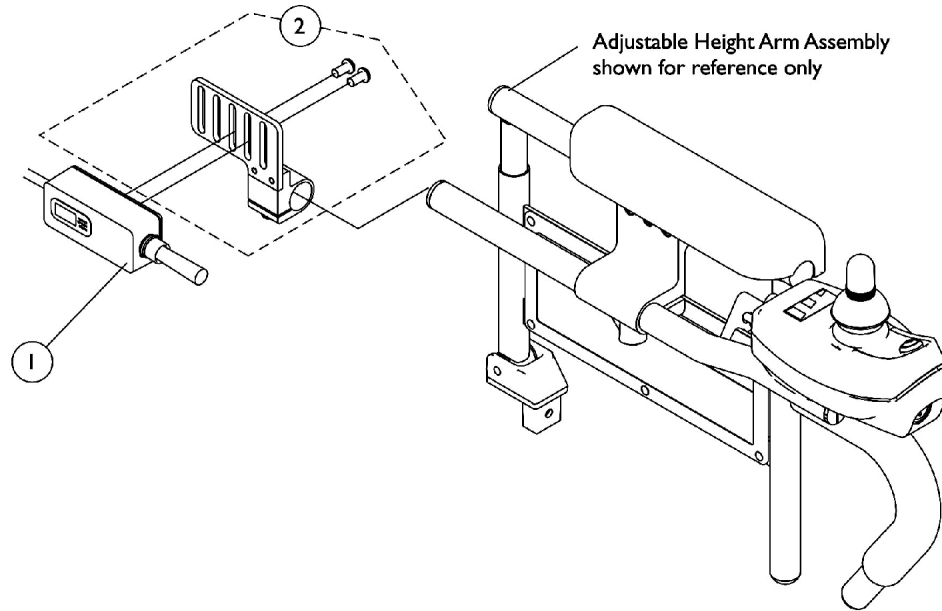
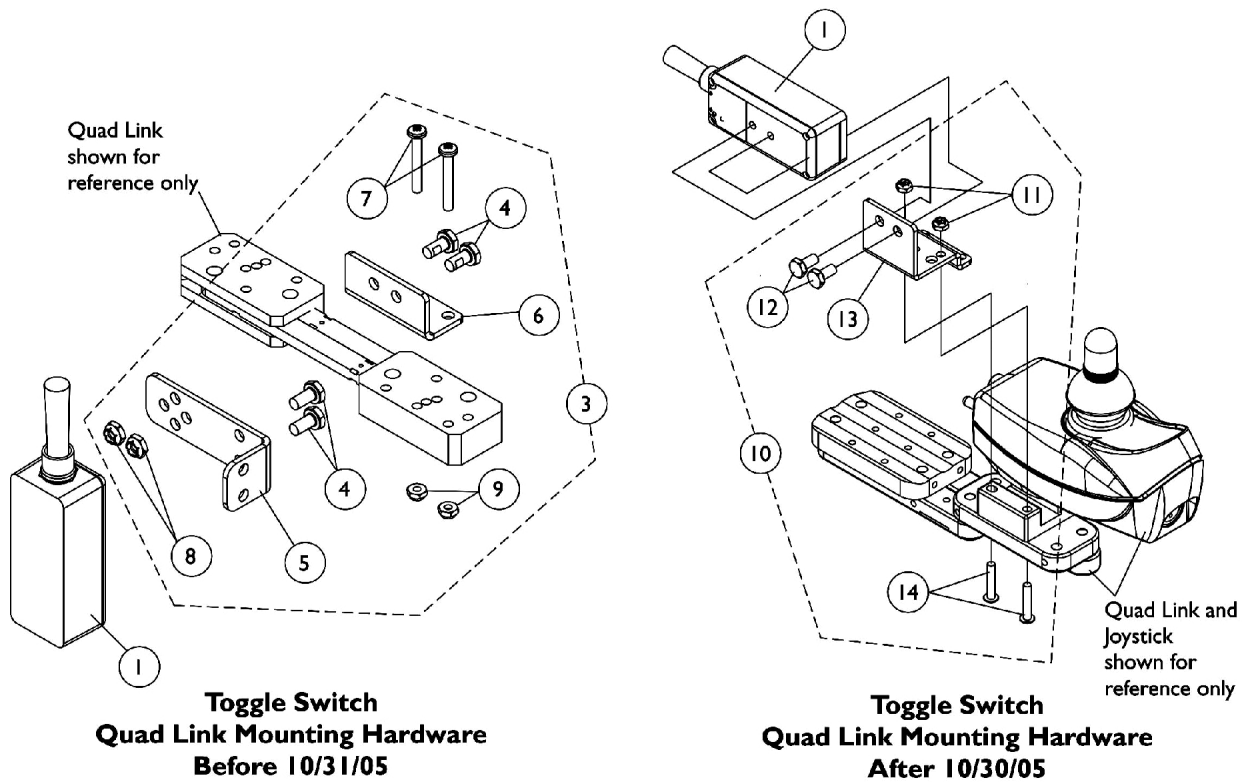


ESC Elevating Seat Control Toggle Switch and Mounting Hardware

Elevate Only For ASBA/ADJASBA Seating



Toggle Switch Joystick Tube Mounting Hardware



ESC Elevating Seat Control Toggle Switch and Mounting Hardware

Elevate Only For ASBA/ADJASBA Seating

Item Number	Note	Part Number	Description	Quantity Per	
				Package	Assembly
1	B	1126185-NLA	NLA - Switch, ESC Elevating Seat Control Toggle For Formula ASBA/ADJASBA Seat	1	1
2	A	1125722-NLA	NLA - Toggle Switch Mounting Bracket Assembly	1	1
3	C	1091497-NLA	NLA - Kit, Quad Link Toggle Switch Mounting Hardware	1	1
4			Screw, Hex Head w/ Patch (1/4-20 x 1/2")	1	4
5			NLA - Bracket, Toggle Switch Mounting, Black	1	1
6			NLA - Bracket, Quad Link Toggle Switch Mounting, Black	1	1
7			Screw, Phillips Pan Head (#10-32 x 1-3/8")	1	2
8			Locknut (1/4-20)	1	2
9			Locknut (#10-32)	1	2
10	D	1139684-NLA	NLA - Kit, Quad Link Toggle Switch Mounting Hardware	1	1
11			Locknut (#10-32)	1	2
12			Screw, Hex Head w/ Patch (1/4-20 x 1/2")	1	2
13			Bracket, Toggle Switch Mounting, Black	1	1
14			Screw, Phillips Pan Head w/Patch (#10-32 x 7/8")	1	2

NOTE: A - Includes Bracket, Half Clamps and Screws. Individual components are not sold separately
 B - ESC toggle switch connects directly into the Proximity Switch Sensor located on the "Battery Wire Harnesses, Sensor Proximity Switch, Extension Cables and Energy Chain" page
 C - Before 10/31/05 and includes items 4-9
 D - After 10/30/05 and includes items 11-14