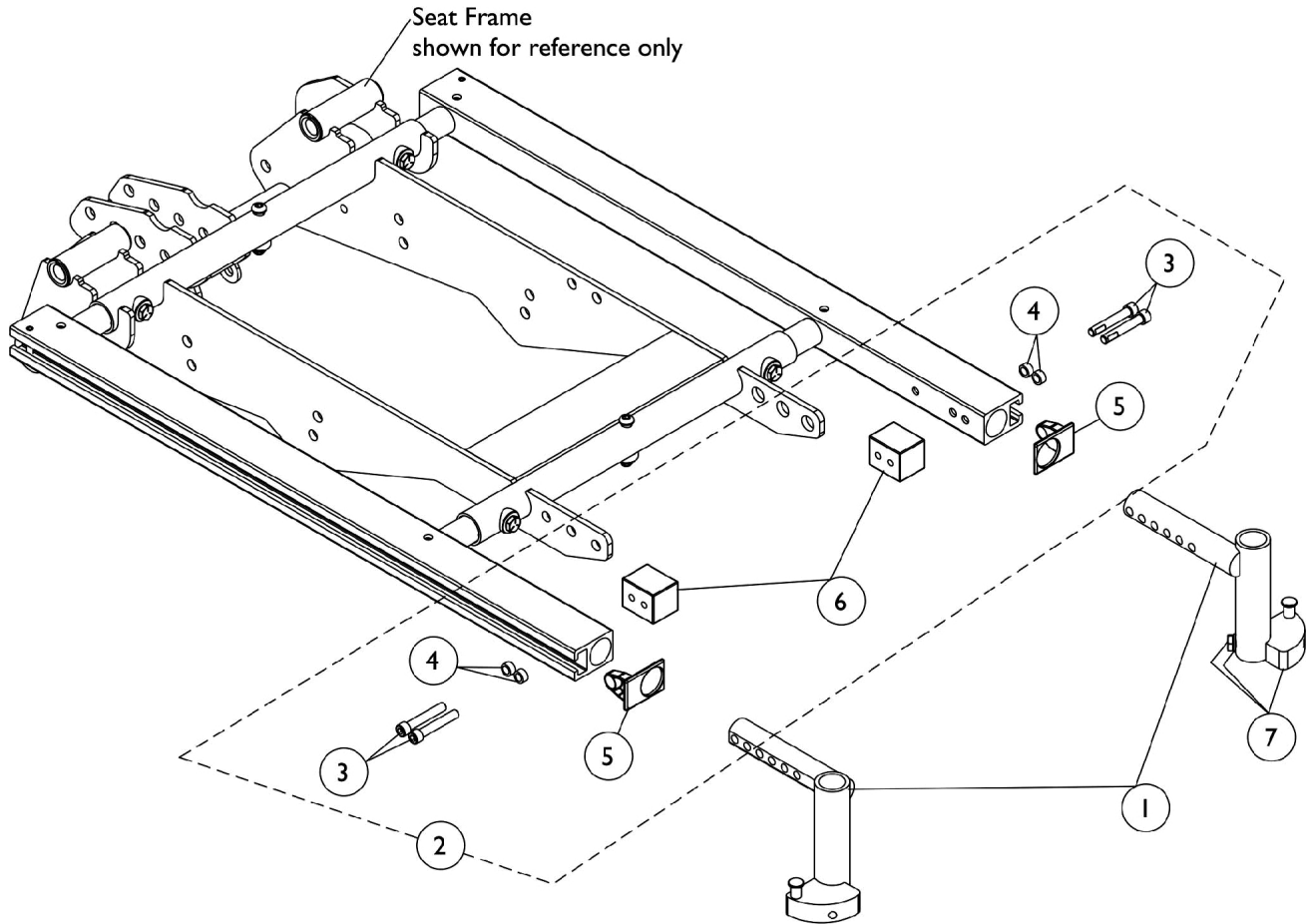


Front Rigging Hanger Hardware - Sector Style

Conventional & Contoura Seating



Front Rigging Hanger Hardware - Sector Style Conventional & Contoura Seating

Item Number	Note	Part Number	Description	Quantity Per	
				Package	Assembly
1		1122602	Front Rigging Hanger Assembly w/ Sector Block, Black - Right	1	1
1		1122603	Front Rigging Hanger Assembly w/ Sector Block, Black - Left	1	1
2	A	1125726	Kit, Front Rigging Hanger Mounting Hardware (Pair)	1	1
3			Screw, Socket Head Cap w/ Patch (1/4-20 x 1-1/2")	1	4
4			NLA - Spacer (1/4 x 3/8 x 3/16")	1	4
5			Cap, End, Side Rail, Black	1	2
6			Block, Threaded	1	2
7	B	1054571	Kit, Sector Block - Right	1	1
7	B	1054572	Kit, Sector Block - Left	1	1

NOTE: A - Includes items 3-6
B - Kit includes sector block, screw and washer