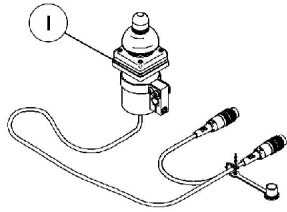
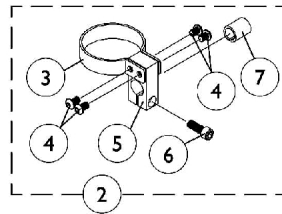


Joystick Options

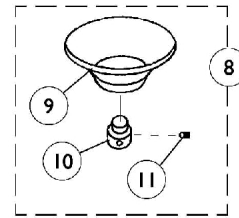


**ON CHAIR: 1812M4/1558
DUAL/COMPACT JOYSTICK
W/ MTG. HARDWARE**

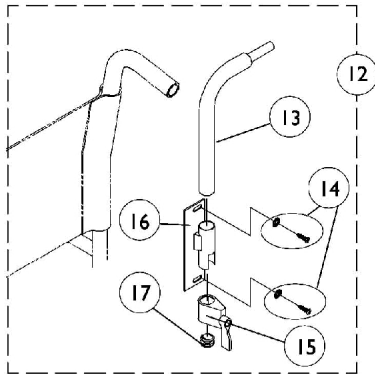
Used with MK5 display or MPJ joystick



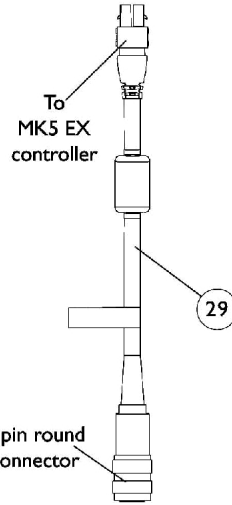
**DUAL/COMPACT JOYSTICK
MOUNTING HARDWARE**



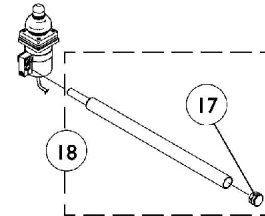
**ON CHAIR: 1826
CHIN CUP ASSEMBLY**



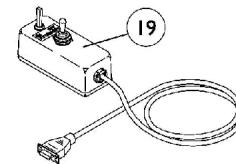
**ON CHAIR: 1673
REAR CANE MOUNT**



**MK5 EX CONTROLLER
OPTION CABLE**

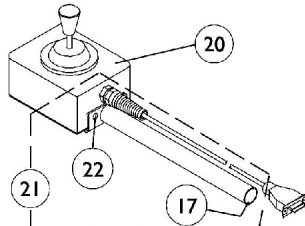


**DUAL/COMPACT
JOYSTICK
ARM MOUNT**



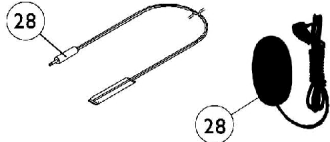
**ON CHAIR: 1552
ATTENDANT CONTROL
JOYSTICK**

Used with SNPM4
Sip-N-Puff/Digital interface



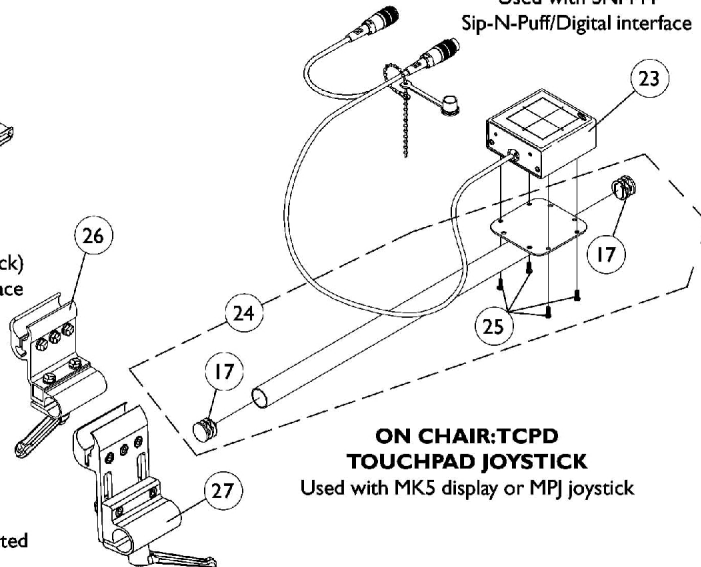
**ON CHAIR: 1556M
HEAVY DUTY
JOYSTICK**

Used with (MK5 display or MPJ joystick)
with SNPM4 Sip-N-Puff/Digital interface



**ON CHAIR: 1817
Reset Switch**

May be required for joystick options listed



**ON CHAIR: TCPD
TOUCHPAD JOYSTICK**

Used with MK5 display or MPJ joystick

Joystick Options

| Item Number | Note | Part Number | Description | Quantity Per | |
|-------------|------|-------------|--|--------------|----------|
| | | | | Package | Assembly |
| 1 | | 1038638-NLA | NLA - Joystick, MKIV Dual/Compact | 1 | 1 |
| 2 | A | 1108012 | Hardware, Dual/Compact Joystick Clamp Mounting | 1 | 1 |
| 3 | | 1025048 | Clamp | 1 | 1 |
| 4 | | 1021460 | Screw, Socket Button Head (#10-32 x 5/16") | 1 | 4 |
| 5 | | 1025045-NLA | NLA - Clamp, Mounting | 1 | 1 |
| 6 | | 1027089-NLA | NLA - Screw, Socket Head (#10-24 x 1/2") | 1 | 1 |
| 7 | | 1026273-NLA | NLA - Spacer, Split (3/8" I.D.) | 1 | 1 |
| 8 | B | 60102524 | Kit, Chin Cup Assembly - 1826 | 1 | 1 |
| 9 | | 1017545 | Cup, Chin | 1 | 1 |
| 10 | L | 1017612-NLA | NLA - Screw, Adaptor | 1 | 1 |
| 11 | | 90032X000 | Screw, Set Socket Cup Point (#8-32 x 1/4") | 1 | 1 |
| 12 | C | 1044917 | Hardware, Rear Cane Mount (1673/RCM) | 1 | 1 |
| 13 | | 1044918-NLA | NLA - Tube, Joystick | 1 | 1 |
| 14 | | 1026298 | Package, Screw with Washer (#10 x 7/8") (Pair) | 1 | 2 |
| 15 | | 1027274 | Adjustment Lock Assemnbly, Black | 1 | 1 |
| 16 | | 1025245-NLA | NLA - Bracket, Upright, Black -Right | 1 | 1 |
| 17 | | 1027095 | Plug Button, Black (7/8") | 1 | 1 |
| 18 | D | 1052309 | Tube, Arm Mount with Plug Button, Black | 1 | 1 |
| 19 | | 1025590 | Joystick, Attendant Control (1552M) | 1 | 1 |
| 20 | | 1041544-NLA | NLA - Joystick, Heavy Duty | 1 | 1 |
| 21 | E | 1052719-NLA | NLA - Kit, Straight Joystick Tube with Hardware | 1 | 1 |
| 22 | | 1016401-NLA | NLA - Screw, Phillips Round Head (#10-32 x 3/8") | 1 | 3 |
| 23 | | 1091353-NLA | NLA - Touchpad, Joystick Assembly | 1 | 1 |
| 24 | F | 1092604-NLA | NLA - Kit, Straight Joystick Tube with Hardware | 1 | 1 |
| 25 | | 1052041 | Screw, Phillips Pan Head (#4-40 x 3/8") | 1 | 4 |
| 26 | G | 1093071 | Clamp, Fixed Height Joystick Tube | 1 | 1 |
| 27 | K | 1139422 | Clamp, Height Adjustable Joystick Tube (ARM250) | 1 | 1 |
| 28 | I | 1020818 | Switch, Red Flex Ribbon (Tape) Reset | 1 | 1 |
| 28 | J | 1123276 | Kit, Switch, Black Egg Reset w/ Hook/Loop Adhesive Back Fastener & Attaching Screws (EGSBLK) | 1 | 1 |
| 29 | H | 1118231-NLA | NLA - Cable, MK5 EX Controller Option | 1 | 1 |

NOTE: A - Includes items 3-7
 B - Includes items 9-11
 C - Includes items 13-17
 D - Includes item 17
 E - Includes items 17 and 22
 F - Includes items 17 and 25
 G - Clamp assembly is used for all joystick tubes listed
 H - The 5 pin connector attaches to MKIV joystick options, MK5 S.A.C., MK5 T.A.C. or MK5 T.R.C.M. controllers.
 I - Before 5/24/04
 J - Not Shown. After 5/23/04 the Egg Reset Switch replaced the Red Flex Ribbon (Tape) Reset Switch
 K - Introduced 10/31/05 as option (ARM250) and can be used to replace a Fixed Height Joystick Clamp in the field
 L - Part #1017612 is no longer available as a service part individually. Order item #8 as a replacement.