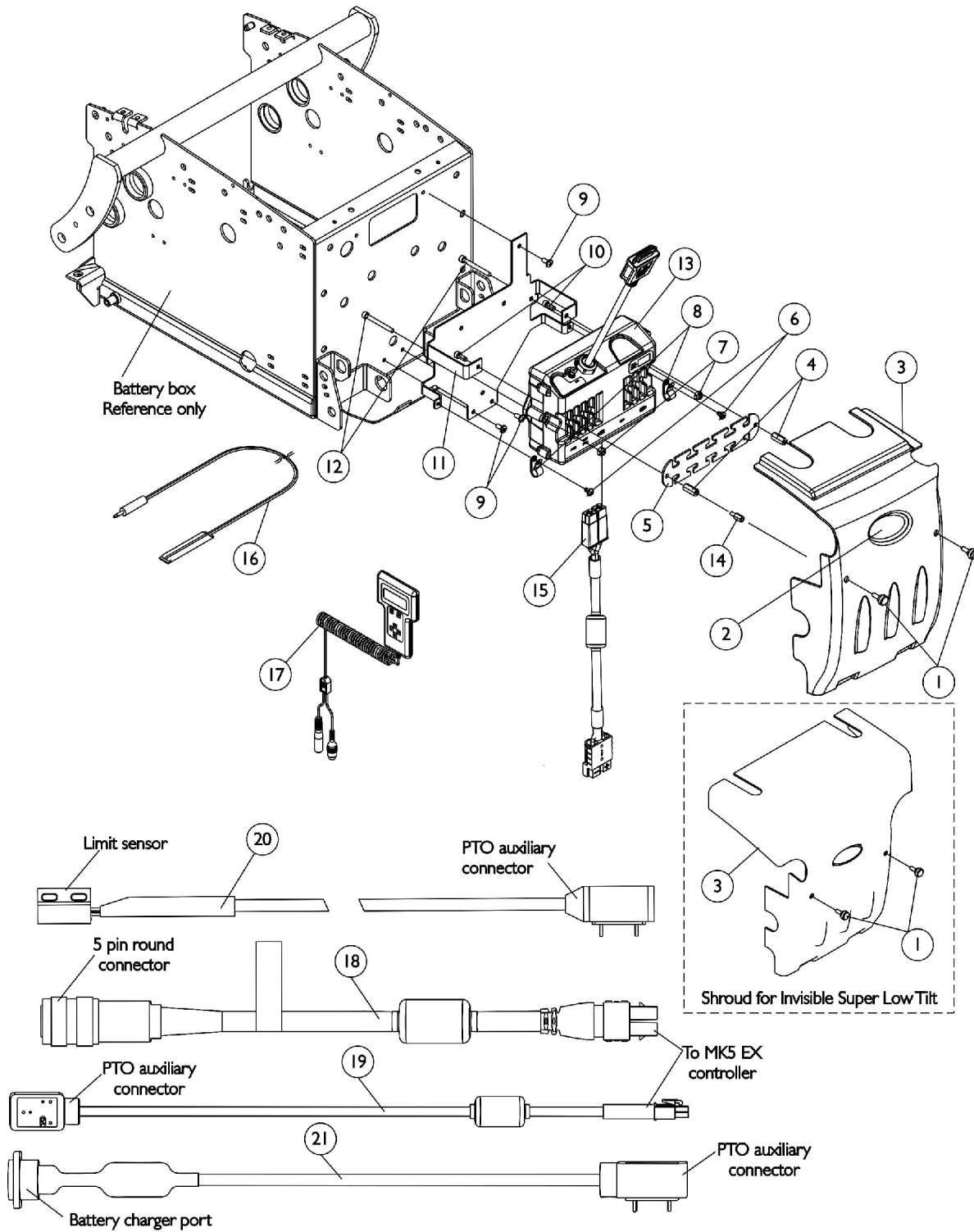


MK5 EX Controller, Programmer, Shroud Cover and Hardware



MK5 EX Controller, Programmer, Shroud Cover and Hardware

Item Number	Note	Part Number	Description	Quantity Per	
				Package	Assembly
1		1117240	Screw, Thumb (#10-32 x 1/2")	1	2
2		1095489	Decal, Invacare 3-D Logo (2-1/2" L)	1	1
3		1113214-NLA	NLA - Cover with Decal, Controller Shroud	1	1
3	C	1120240-NLA	NLA - Cover with Decal, Controller Shroud	1	1
4		1113342-NLA	NLA - Stand-Off (#10-32 x 3/4")	1	2
5		1117194-NLA	NLA - Strip, Wiring	1	1
6		90017X000-NLA	NLA - Screw, Phillips Pan Head (#10-32 x 5/16")	1	2
7		1025731	Locknut (#10-32)	1	2
8		1079245-NLA	NLA - Clamp, Cable	1	2
9		1022597	Screw, Phillips Pan Head Tap (#10-32 x 3/8")	1	3
10		1113438-NLA	NLA - 3Screw, Socket Head (#10-32 x 1/2")	1	2
11		1115829-NLA	NLA - Bracket, TDX Controller, Black	1	1
12		1023966	Screw, Socket Head (#10-32 x 1-3/4")	1	2
13	G,H	1115750-NLA	NLA - Controller, MK5 EX	1	1
14	E	1120258-NLA	NLA - Stand-Off (10-32 x 1/2")	1	2
15		1116381	Cable, Battery Extension, Black Connector	1	1
16	J	1020818	Switch, Red Flex Ribbon (Tape) Reset	1	1
16	F,K	1123276	Kit, Switch, Black Egg Reset w/ Hook/Loop Adhesive Back Fastener & Attaching Screws (EGSBLK)	1	1
17		1109091-NLA	NLA - Programmer, Remote	1	1
18	A	1118231-NLA	NLA - Cable, MK5 EX Controller Option	1	1
19	B	1119418	Cable, Auxiliary Power	1	1
20	D	1092913-NLA	NLA - Cable, Drive Lockout Sensor	1	1
21	I,I1	1114500-NLA	NLA - Cable Option with Charger Connector	1	1
	F	1095204-NLA	NLA - Cable, Virtual Service, Charger/Modem	1	1

NOTE:

- A - The 5 pin connector attaches to MKIV options, MK5 T.A.C. or MK5 T.R.C.M. controllers.
- B - Used with MK5 EX controllers for Powered Seating Systems.
- C - Used on Super Low Tilt system
- D - Sensor cable used when a manual recliner is present
- E - Item 14 is increased to a quantity of 4 when an Invisible Super Low Tilt is present
- F - Not Shown
- G - The MK5 EX controller WILL NOT operate a chair with TrueTrack GB motors. For GB motors, you must use the MK5 TT (TrueTrack) EX controller.
- H - Item 19 Auxiliary Power Cable must be used to operate any powered seating system.
- I - Cable Option with Charger Connector is present when a combination MKIV controller and joystick have been ordered as a "special" on-chair configuration.
- I1 - When a MKIV joystick is ordered "special" on-chair to adapt to a MK5 EX controller, a (6 pin to 15 pin adapter cable) will be present. A replacement (6 pin to 15 pin adapter cable) must be ordered from ASL (Adaptive Switch Labs) at 1-800-626-8698
- J - Before 5/24/04
- K - After 5/23/04 the Egg Reset Switch replaced the Red Flex Ribbon (Tape) Reset Switch