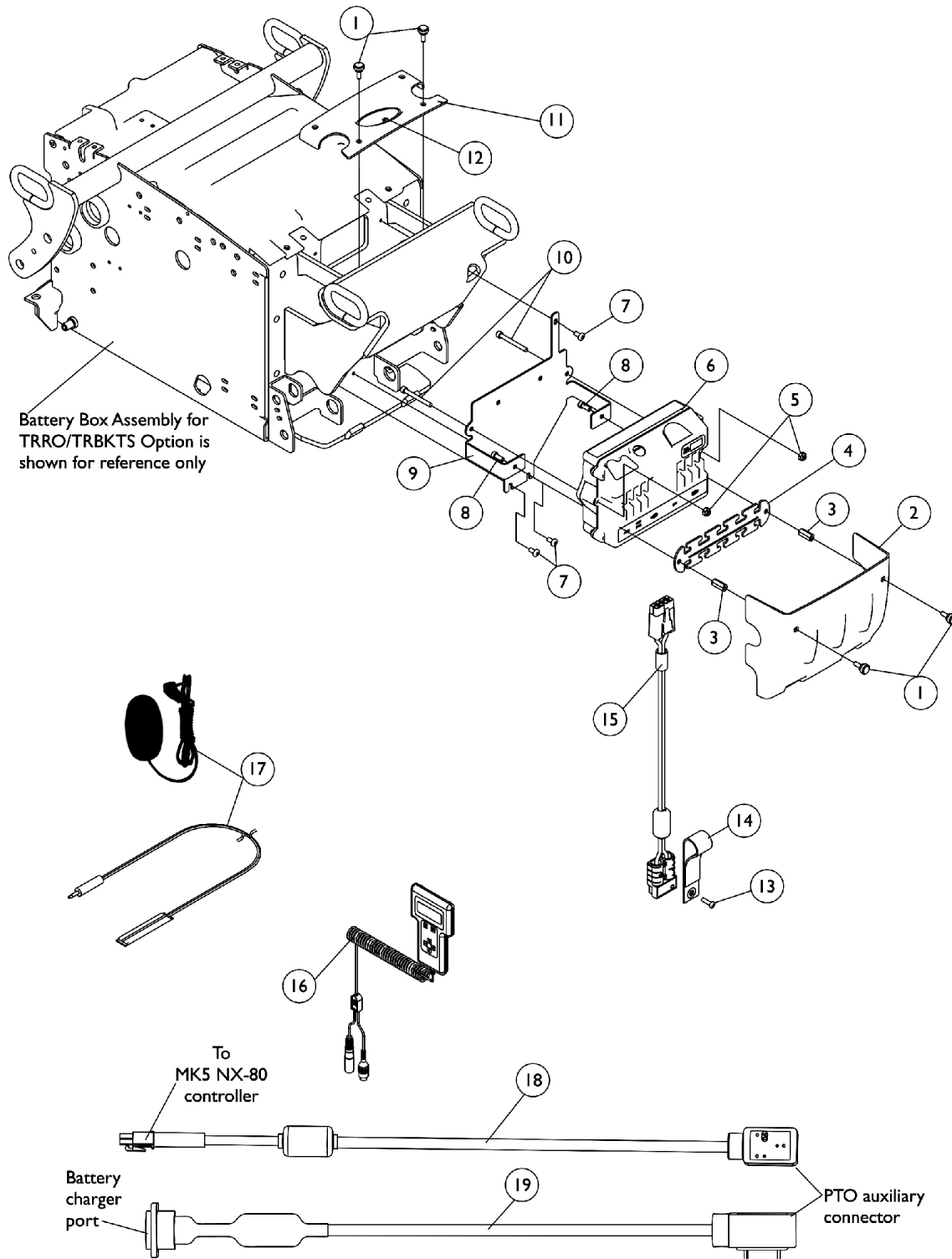


MK5 NX-80 Controller, Programmer, Shroud Cover and Hardware For TRRO/TRBKTS Option



MK5 NX-80 Controller, Programmer, Shroud Cover and Hardware

For TRRO/TRBKTS Option

Item Number	Note	Part Number	Description	Quantity Per	
				Package	Assembly
1		1117240	Screw, Thumb (#10-32 x 1/2")	1	4
2		1137243-NLA	NLA - Cover, Controller Rear Shroud TRRO/TRBKTS	1	1
3		1113342-NLA	NLA - Stand-Off (#10-32 x 3/4")	1	2
4		1117194-NLA	NLA - Strip, Wiring	1	1
5		1025731	Locknut (#10-32)	1	2
6		1122191-NLA	NLA - Controller, MK5 NX-80	1	1
7		1022597	Screw, Phillips Pan Head Tap (#10-32 x 3/8")	1	3
8		1113438-NLA	NLA - 3Screw, Socket Head (#10-32 x 1/2")	1	2
9		1133754-NLA	NLA - Bracket, Controller Mounting, Black	1	1
10		1023966	Screw, Socket Head (#10-32 x 1-3/4")	1	2
11		1139532-NLA	NLA - Cover, Controller Top Shroud	1	1
12		1095489	Decal, Invacare 3-D Logo (2-1/2" L)	1	1
13		1114276	Screw, Phillips Pan Head (#8-16 x 5/8")	1	1
14		1113331-NLA	NLA - Strap, Battery Plug Pull	1	1
15		60102824	Kit, Cable, Battery Extension	1	1
16		1109091-NLA	NLA - Programmer, Remote	1	1
17	D	1020818	Switch, Red Flex Ribbon (Tape) Reset	1	1
17	E	1123276	Kit, Switch, Black Egg Reset w/ Hook/Loop Adhesive Back Fastener & Attaching Screws (EGSBLK)	1	1
18	A	1119418	Cable, Auxiliary Power	1	1
19	B	1114500-NLA	NLA - Cable Option with Charger Connector	1	1
	C	1095204-NLA	NLA - Cable, Virtual Service, Charger/Modem	1	1

NOTE: A - Used with MK5 NX-80 controller for Powered Seating Systems
 B - Cable Option with Charger Connector is present when a combination MKIV controller and joystick have been ordered as a "special" on-chair configuration
 C - Not Shown
 D - Before 5/24/04
 E - After 5/23/04 the Egg Reset Switch replaced the Red Flex Ribbon (Tape) Reset Switch