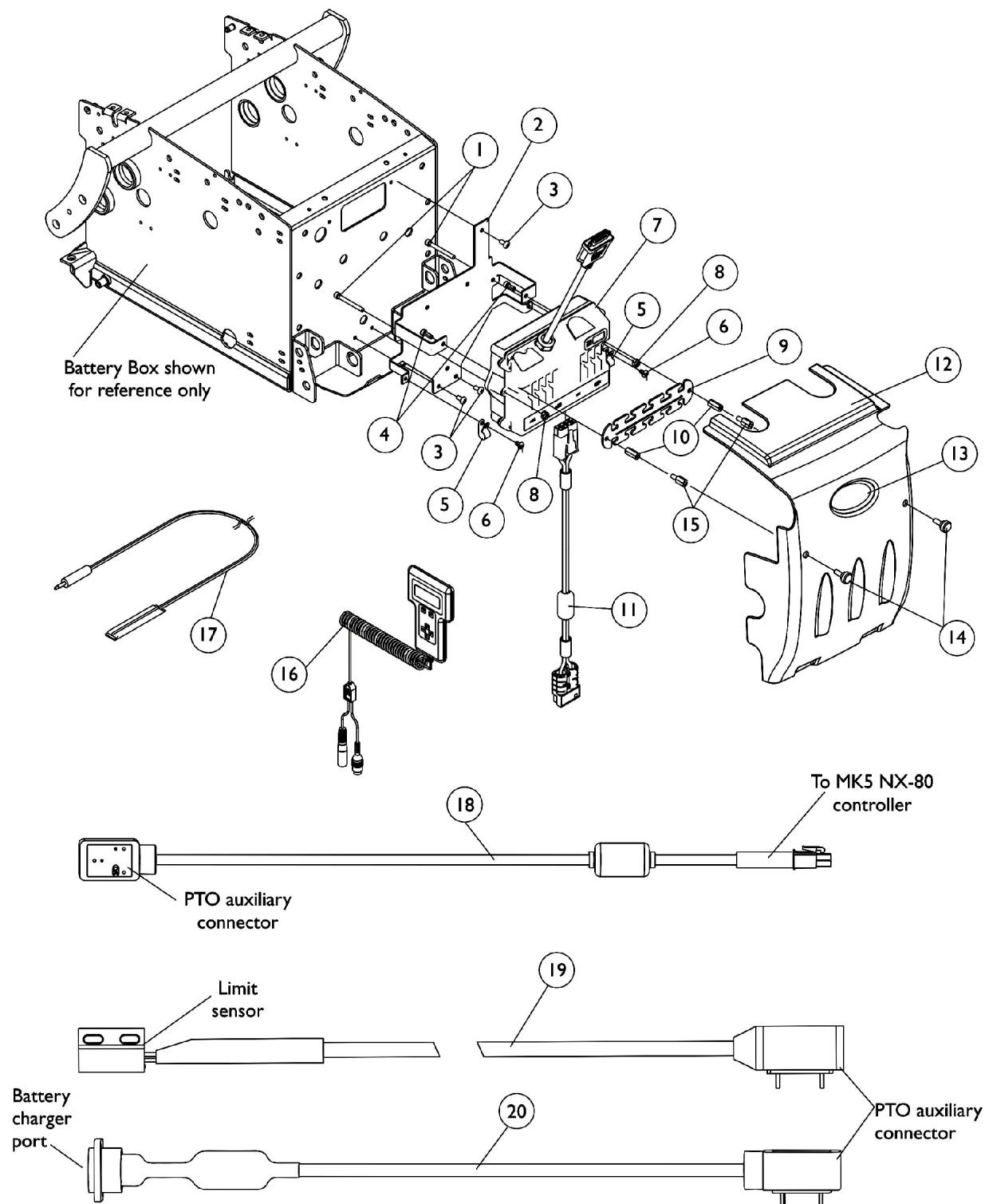


MK5 NX-80 Controller, Programmer, Shroud Cover and Hardware

Introduced 10/20/03 on TDX3 Standard



MK5 NX-80 Controller, Programmer, Shroud Cover and Hardware

Introduced 10/20/03 on TDX3 Standard

Item Number	Note	Part Number	Description	Quantity Per	
				Package	Assembly
1		1023966	Screw, Socket Head (#10-32 x 1-3/4")	1	2
2		1115829-NLA	NLA - Bracket, TDX Controller, Black	1	1
3		1022597	Screw, Phillips Pan Head Tap (#10-32 x 3/8")	1	3
4		1113438-NLA	NLA - 3Screw, Socket Head (#10-32 x 1/2")	1	2
5		1079245-NLA	NLA - Clamp, Cable	1	2
6		90017X000-NLA	NLA - Screw, Phillips Pan Head (#10-32 x 5/16")	1	2
7		1122191-NLA	NLA - Controller, MK5 NX-80	1	1
8		1025731	Locknut (#10-32)	1	2
9		1117194-NLA	NLA - Strip, Wiring	1	1
10		1113342-NLA	NLA - Stand-Off (#10-32 x 3/4")	1	2
11		60102824	Kit, Cable, Battery Extension	1	1
12		1113214-NLA	NLA - Cover with Decal, Controller Shroud	1	1
13		1095489	Decal, Invacare 3-D Logo (2-1/2" L)	1	1
14		1117240	Screw, Thumb (#10-32 x 1/2")	1	2
15		1120258-NLA	NLA - Stand-Off (10-32 x 1/2")	1	2
16		1109091-NLA	NLA - Programmer, Remote	1	1
17	E	1020818	Switch, Red Flex Ribbon (Tape) Reset	1	1
17	C,F	1123276	Kit, Switch, Black Egg Reset w/ Hook/Loop Adhesive Back Fastener & Attaching Screws (EGSBLK)	1	1
18	A	1119418	Cable, Auxiliary Power	1	1
19	B	1092913-NLA	NLA - Cable, Drive Lockout Sensor	1	1
20	D	1114500-NLA	NLA - Cable Option with Charger Connector	1	1
	C	1095204-NLA	NLA - Cable, Virtual Service, Charger/Modem	1	1

NOTE: A - Used with MK5 NX-80 controller for Powered Seating Systems.
 B - Cable sensor is used when a manual recliner is present
 C - Not Shown
 D - Cable Option with Charger Connector is present when a combination MKIV controller and joystick have been ordered as a "special" on-chair configuration.
 E - Before 5/24/04
 F - After 5/23/04 the Egg Reset Switch replaced the Red Flex Ribbon (Tape) Reset Switch