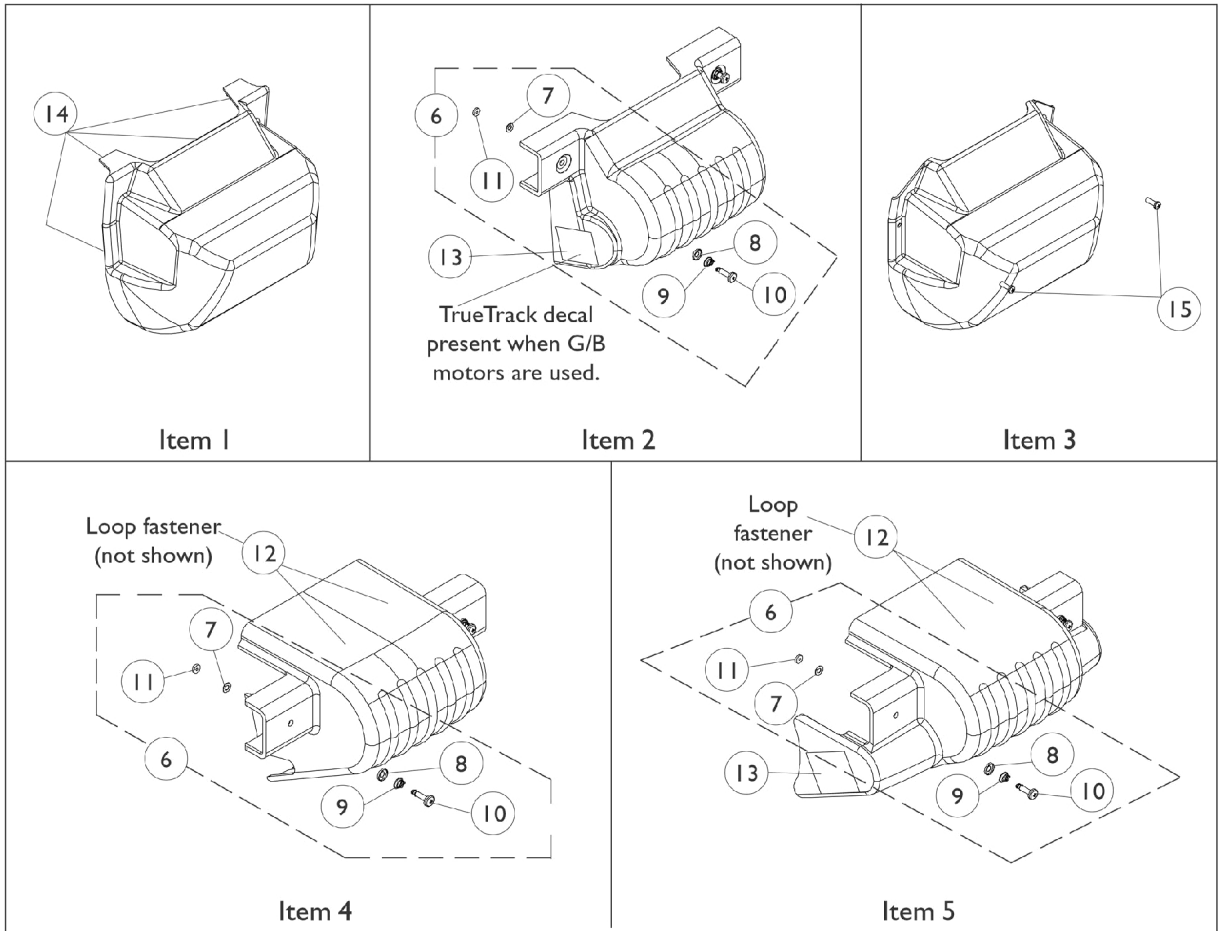


# Controller Shroud Covers



## Controller Shroud Covers

Seating System Type	Item 1	Item 2	Item 3	Item 4	Item 5
	1091310-NLA	1104841-NLA See Note(s) A	1112684-NLA	1104839	1104822-NLA See Note(s) B
A.S.B.A. Seat	Before 7/16/01 w/ Two Controllers	After 7/15/01 To Present w/ Two Controllers	After 5/19/02 w/ Two Controllers, Short Base and Shock Forks Present	One Controller, 4-Pole Motors or (GB Motors w/ Wheel locks), (with or without Shock Forks) and Short Base	One Controller, (GB Motors w/o Wheel locks), (with or without Shock Forks) and Short Base
ESS6-STM Elevating Seat	N/A	After 7/15/01 To Present w/ Two Controllers	N/A	One Controller, 4-Pole Motors or (GB Motors w/ Wheel locks), (with or without Shock Forks) and Short Base	One Controller, (GB Motors w/o Wheel locks), (with or without Shock Forks) and Short Base
ESS-PTO Elevating Seat w/ Power Tilt Only  See Note(s) C	N/A	After 7/15/01 To Present w/ Two Controllers	After 5/19/02 w/ Two Controllers, Short Base and Shock Forks Present	N/A	N/A
VAN Seat	N/A	N/A	N/A	One Controller, 4-Pole Motors or (GB Motors w/ Wheel locks), (with or without Shock Forks) and Short Base	One Controller, (GB Motors w/o Wheel locks), (with or without Shock Forks) and Short Base

NOTE: A - Two TrueTrack decals must be ordered when G/B motors are present for chairs made after 6/2/02.

B - Shroud cover includes the TrueTrack decals and loop fasteners.

C - When a PTO is ordered without the elevate seat option, the controller cover is omitted

NOTE: All controller shroud covers include mounting hardware.

NOTE: When a 2G Powered Seating System is present, see the 2G Powered Seating system parts book Form # 99-150 for the correct controller shroud cover.

NOTE: Two controllers are identified as one chair equipped with a joystick controller and a seating system actuator(s) controller.

## Controller Shroud Covers

Item Number	Note	Part Number	Description	Quantity Per	
				Package	Assembly
6	A	1104706-NLA	NLA - Kit, Controller Shroud Mounting Hardware (Pair)	2	1
7		1070580-NLA	NLA - Washer, Nylon Retainer (1/4 x 1/2 x 1/32")	1	2
8		1070581-NLA	NLA - Washer, Nylon Cupped (9/32 x 19/32 x 3/32")	1	2
9		1093312-NLA	NLA - Spring, Torsion Ejector	1	2
10	B	1110508-NLA	NLA - Stud, Phillips Recess (1/4" Dia. x 1" Long, 1/4 Turn)	1	2
11		1110509-NLA	NLA - Retainer, Stud (1/4" Turn)	1	2
12		1079246-NLA	NLA - Fastener, Loop Adhesive Back (1" W x 3" L)	1	2
13		1104799-NLA	NLA - Decal, TrueTrack	1	2
14		1092662-NLA	NLA - Package, Fastener, Dual Lock 250 (1/2" W x 7/8" L)	10	4
15		1028755	Screw, Phillips Pan Head (#10-32 x 5/8")	1	2
	C	See Chart	Controller Shroud Covers	1	1

NOTE: A - Includes items 7-11  
 B - Due to a hardware change, when item 10 is requested, refer to Item 6 for chairs manufactured before 2/21/02  
 C - Not Shown