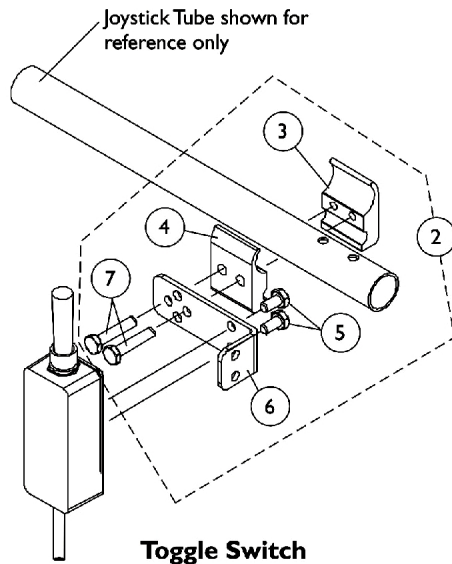
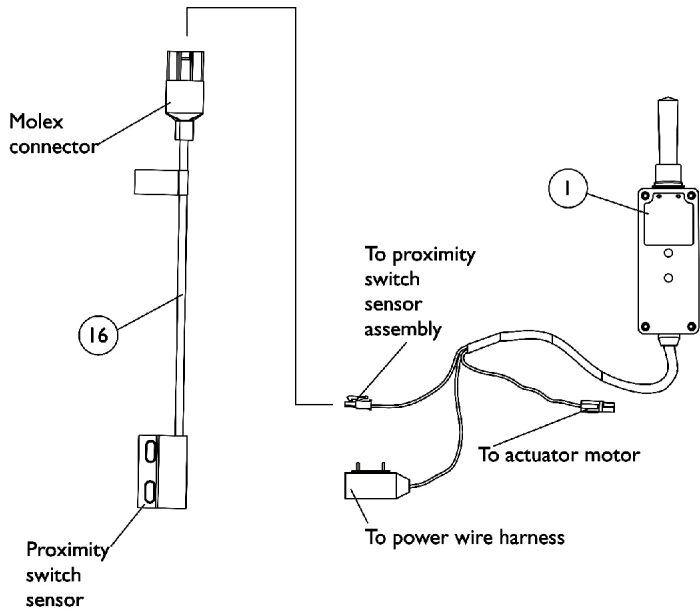
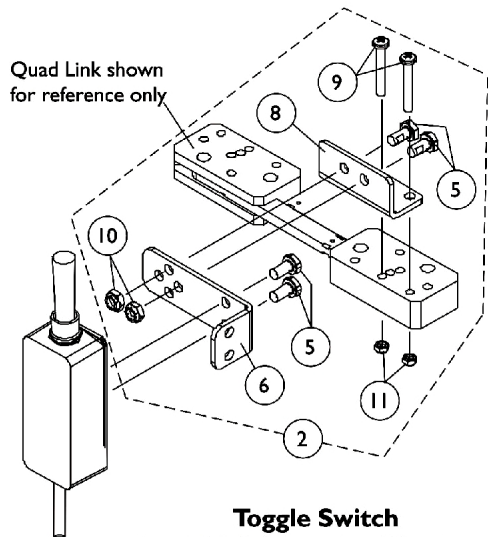


# Electronics

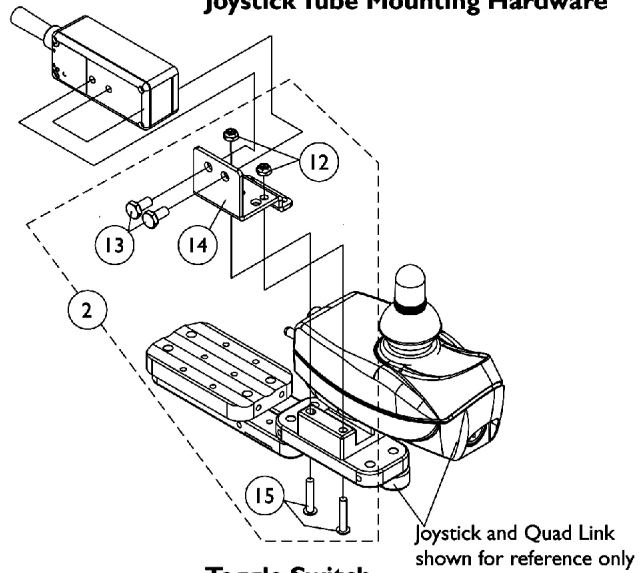
## MKIV Elevating Seat Toggle Switch



**Toggle Switch  
Joystick Tube Mounting Hardware**



**Toggle Switch  
Quad Link Mounting Hardware  
Before 10/31/05**



**Toggle Switch  
Quad Link Mounting Hardware  
After 10/30/05**

# Electronics

## MKIV Elevating Seat Toggle Switch

Item Number	Note	Part Number	Description	Quantity Per	
				Package	Assembly
1		1105700-NLA	NLA - Switch, MKIV Elevating Seat Toggle	1	1
2	A	1091496	Kit, Joystick Tube Toggle Switch Mounting Hardware	1	1
3			NLA - Half Clamp, Threaded Holes	1	1
4			Half Clamp, Non-Threaded Holes	1	1
5			Screw, Hex Head w/ Patch (1/4-20 x 1/2")	1	2
6			NLA - Bracket, Toggle Switch Mounting, Black	1	1
7			NLA - Screw, Hex Head (1/4-20 x 1-1/8")	1	2
2	B	1091497-NLA	NLA - Kit, Quad Link Toggle Switch Mounting Hardware	1	1
5			Screw, Hex Head w/ Patch (1/4-20 x 1/2")	1	4
6			NLA - Bracket, Toggle Switch Mounting, Black	1	1
8			NLA - Bracket, Quad Link Toggle Switch Mounting, Black	1	1
9			Screw, Phillips Pan Head (#10-32 x 1-3/8")	1	2
10			NLA - Locknut (1/4-20)	1	2
11			Locknut (#10-32)	1	2
2	C	1139684-NLA	NLA - Kit, Quad Link Toggle Switch Mounting Hardware	1	1
12			Locknut (#10-32)	1	2
13			Screw, Hex Head w/ Patch (1/4-20 x 1/2")	1	2
14			Bracket, Toggle Switch Mounting, Black	1	1
15			Screw, Phillips Pan Head w/Patch (#10-32 x 7/8")	1	2
16		1105715-NLA	NLA - Sensor, Proximity Switch	1	1
NOTE: A - Includes items 3-7 B - Before 10/31/05 and Includes items 5, 6 and 8-11 C - After 10/30/05 and includes items 12-15					