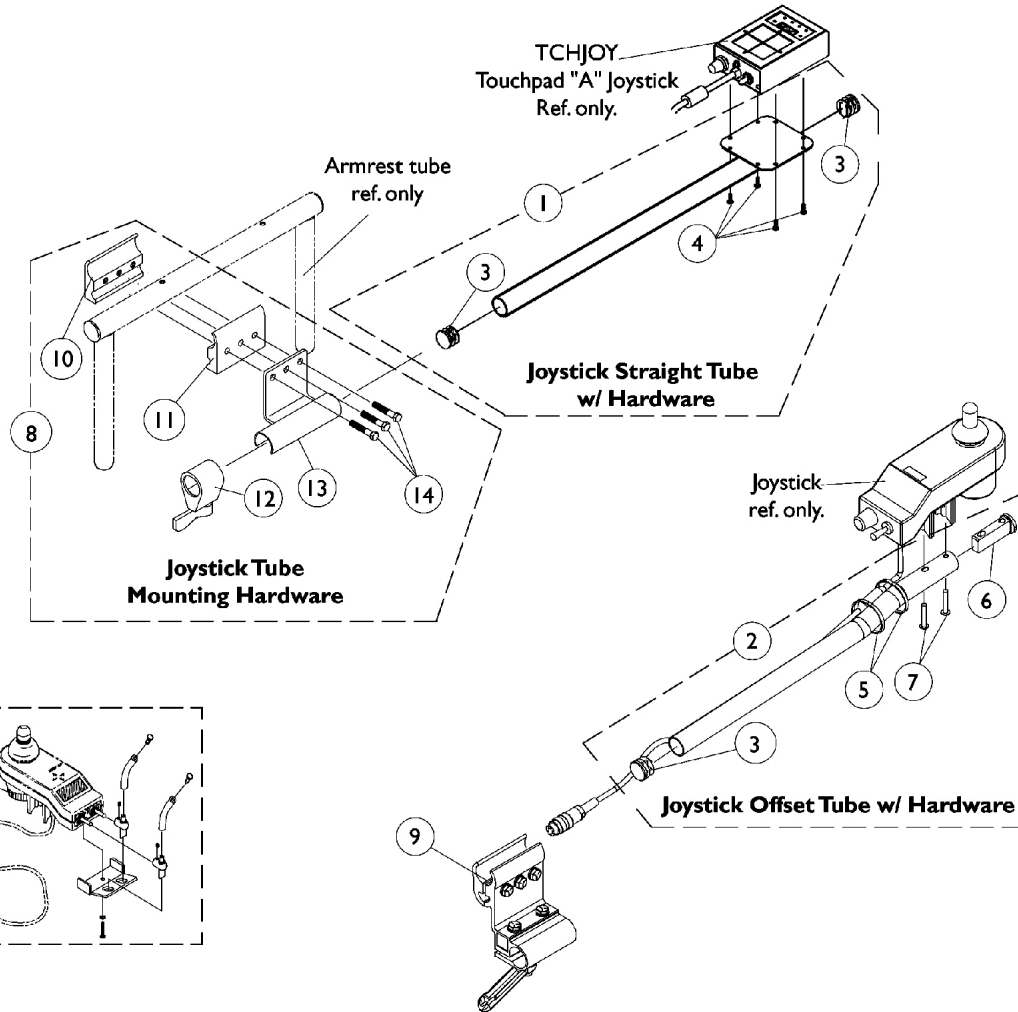
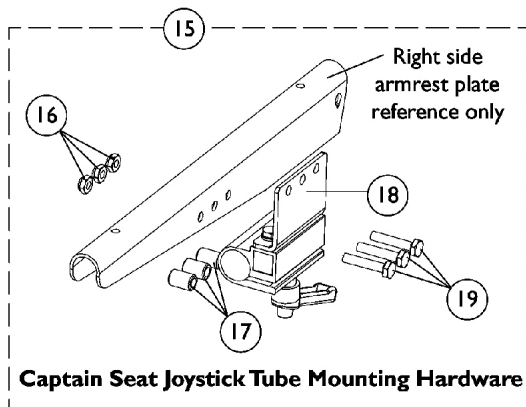


MKIV Joystick Mounting Hardware and Joystick Accessories

NOTE: Captain Seat joystick tube mounting hardware adapts to the offset joystick tube and comes standard on-chair.



Joystick Tube Fixed Height
Clamp Assembly



MKIV Joystick Mounting Hardware and Joystick Accessories

NOTE: Captain Seat joystick tube mounting hardware adapts to the offset joystick tube and comes standard on-chair.

Item Number	Note	Part Number	Description	Quantity Per	
				Package	Assembly
1	A	1092604-NLA	NLA - Kit, Straight Joystick Tube with Hardware	1	1
2	B	1093069	Kit, 1/2" Offset Joystick Tube with Hardware	1	1
3		1027095	Plug Button, Black (7/8")	1	1
4		1052041	Screw, Phillips Pan Head (#4-40 x 3/8")	1	4
5		1095502-NLA	NLA - Package, Tie Wrap (11-1/2" L)	10	1
6		1093063	Spacer, Joystick Tube, Black	1	1
7		1025714	Screw, Phillips Pan Head (#10-32 x 1-1/8")	1	2
8	C	1049591-NLA	NLA - Hardware, Joystick Tube Mounting	1	1
9	D	1093071	Clamp, Fixed Height Joystick Tube	1	1
9	F	1139422	Clamp, Height Adjustable Joystick Tube (ARM250)	1	1
10		1027267-NLA	NLA - Half Clamp, Threaded Holes	1	1
11		1027266	Half Clamp, Non-Threaded Holes	1	1
12		1027274	Adjustment Lock Assembly, Black	1	1
13		1049582-NLA	NLA - Bracket, Joystick Mounting, Black	1	1
14		16690X004-NLA	NLA - Screw, Hex Head (1/4-20 x 1-1/8")	1	3
15	E	1105050-NLA	NLA - Kit, Joystick Tube Mounting Hardware - Captain/ Van Seat	1	1
16		1025195	NLA - Locknut (1/4-20)	1	3
17		1101524-NLA	NLA - Spacer (1/4 x 7/16 x 5/8")	1	3
18		1105049	Clamp Assembly, Fixed Height, Captain/ Van Seat	1	1
19		1057955	Screw, Hex Head (1/4-20 x 1-1/4")	1	3
20		1055736-NLA	NLA - Kit, Toggle Switch Extension	1	1
21		1016401-NLA	NLA - Screw, Phillips Round Head (#10-32 x 3/8")	1	3
	G	1006270	Extension, Joystick, "T" Style (1560) (4" W x 5-1/2" L)	1	1
	G	1006271	Extension, Joystick, Straight Style (1561) (1/2" W x 5" L)	1	1

NOTE: A - Includes items 3 and 4
 B - Includes items 3, 5, 6 and 7. Used for MKIV RII. A, A+, PSF/PSR joysticks (Captain Seats also)
 C - Includes items 10-14. Used for TCHJOY Touchpad "A" Joystick before 10/4/00
 D - For MKIV RII. A, A+, PSF/PSR joystick and (TCHJOY Touchpad "A" Joystick after 10/3/00). Joystick Tube Clamp can be used as a direct replacement for item 8 part # 1049591 in the field. Individual components are non-saleable.
 E - Includes items 16-19. Due to product improvement, the joystick mounting bracket with a separate adjustment lock were replaced with the clamp assembly shown as of 2/20/03 and is backward compatible.
 F - Introduced 10/31/05 as option (ARM250) and can be used to replace a Fixed Height Joystick Tube Clamp in the field. Individual components are non-saleable.
 G - Not Shown