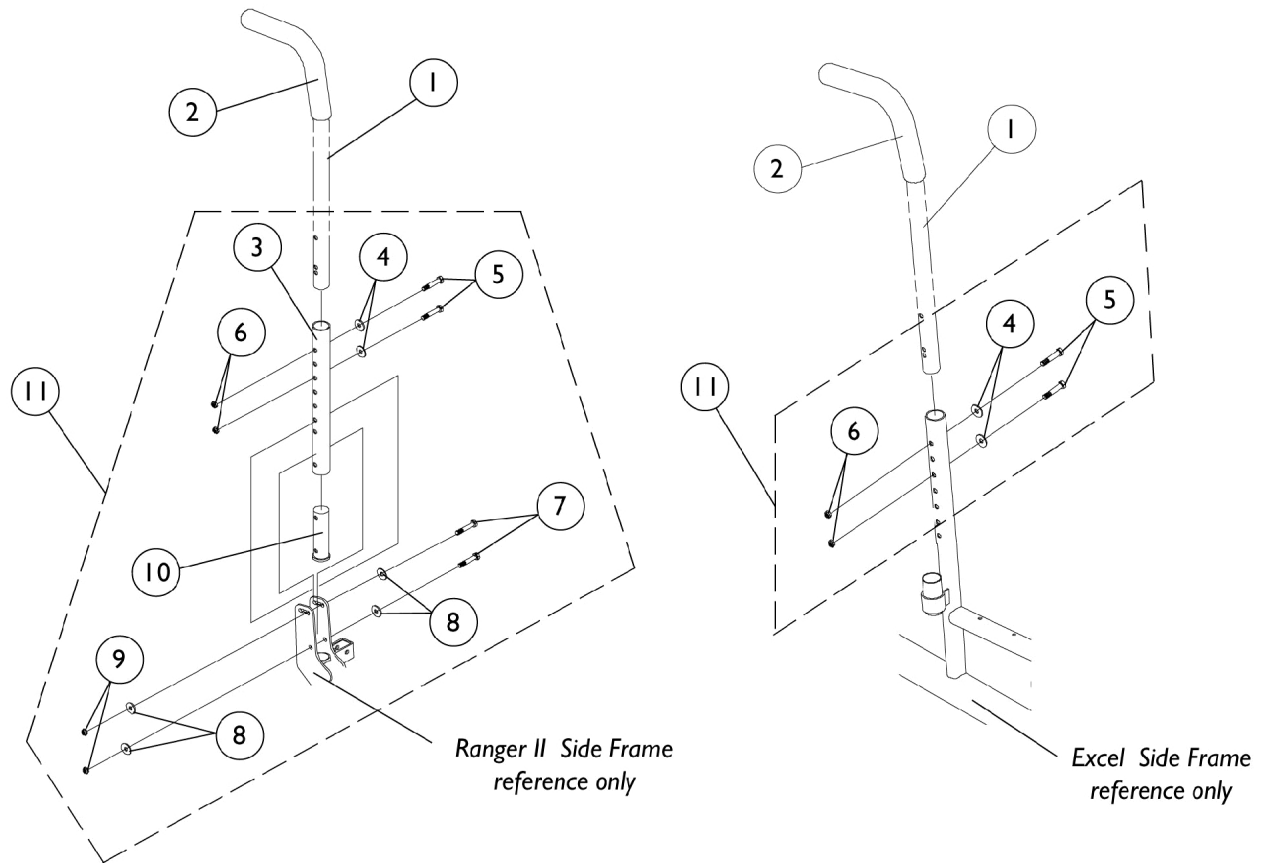


Back Canes & Attaching Hardware

Sling Seat Only



Item Number	Note	Part Number	Description	Quantity Per	
				Package	Assembly
1		1028372	Back Cane Assembly, 10 Degree Bend	1	2
2		1006229	Grip, Foam (8")	1	2
3		1071565-NLA	NLA - Tube, Rear Upright, Black	1	2
4		1026907	Washer (1/4 x 1/2 x 1/16")	1	4
5		1057955	Screw, Hex Head (1/4-20 x 1-1/4")	1	4
6		7930323-NLA	NLA - Package, Locknut (1/4-20)	25	1
7		1055348	Screw, Hex Head (1/4-28 x 1-3/4")	1	4
8		1026900	Washer (1/4 x 23/32 x 1/16")	1	8
9		7930345	Locknut (1/4-28)	25	1
10		1071488-NLA	NLA - Insert, Threaded	1	2
11	A	1079389-NLA	NLA - Hardware, Back Cane Mounting, Ranger II (Pair)	2	1
11	B	1057956-NLA	NLA - Hardware, Back Cane Mounting, Excel (Pair)	2	1

NOTE: A - Includes items 3-10.
B - Includes Items 4-6.