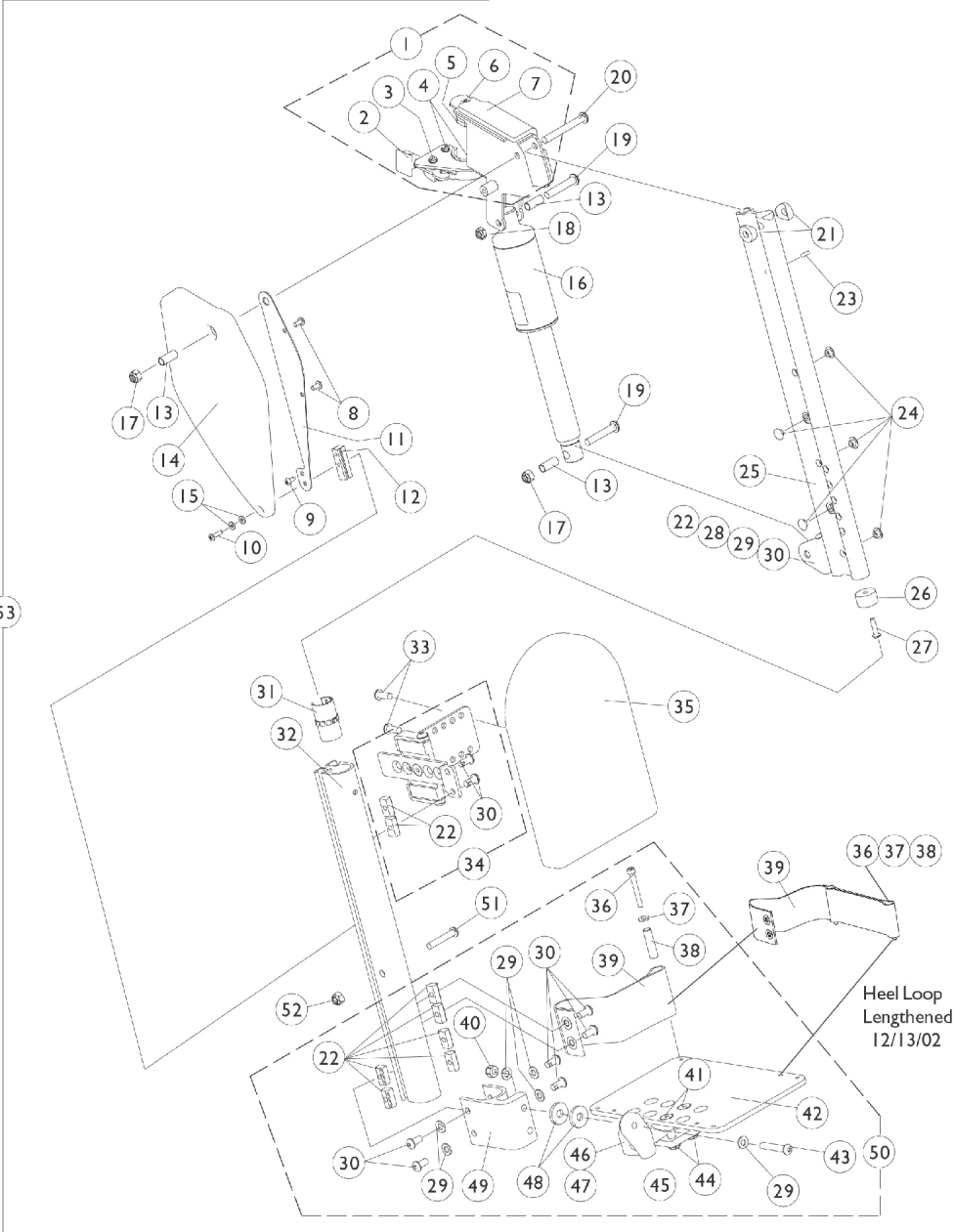


Power Non-Articulating Legrest POWERLR18/POWERLR20 (9/15/01 Thru 4/30/02)



Power Non-Articulating Legrest POWERLR18/POWERLR20 (9/15/01 Thru 4/30/02)

Item Number	Note	Part Number	Description	Quantity Per	
				Package	Assembly
1	A,F	1101112-NLA	NLA - Legrest Support Assembly, Sector, Black - Right	1	1
1	A,F	1101113-NLA	NLA - Legrest Support Assembly, Sector, Black - Left	1	1
2		1025454	Housing, Latch - Right	1	1
2		1025455	Housing, Latch - Left	1	1
3		7930314	Package, Screw, Slotted Hex Washer Head (#10-32 x 1/2")	25	1
4		1025451	Screw, Slotted Hex Washer Head (#10-32 x 5/8")	1	2
5		1099685	Plug, Pivot	1	1
6		1091870	Screw, Socket Button Head w/ Patch (1/4-20 x 3/4")	1	1
7	F	1099694-NLA	NLA - Pad, Cushion - Right	1	1
7	F	1099695-NLA	NLA - Pad, Cushion - Left	1	1
8		1022597	Screw, Phillips Pan Head Tap (#10-32 x 3/8")	1	2
9		1025729	Screw, Phillips Pan Head Tap (#8-32 x 3/8")	1	1
10		1014386-NLA	NLA - Screw, Phillips Pan Head (#8-32 x 5/8")	1	1
11	F	1099699-NLA	NLA - Bracket, Cover	1	1
12	F	1099666-NLA	NLA - Block, Slide	1	1
13	F	1099687-NLA	NLA - Sleeve (5/16 x 3/8 x 7/8")	1	3
14	F	1099692-NLA	NLA - Cover, Legrest Support - Right	1	1
14	F	1099693-NLA	NLA - Cover, Legrest Support - Left	1	1
15		1043599-NLA	NLA - Washer, Flat (5/32 x 3/8 x 1/32")	1	2
16		1101398-NLA	NLA - Motor, Actuator	1	1
17		1026158	Locknut (5/16-18)	1	2
18		1028769	Locknut (5/16-18)	1	1
19		1101267-NLA	NLA - Screw, Socket Button Head (5/16-18 x 1-1/2")	1	2
20		1101214-NLA	NLA - Screw, Socket Button Head (5/16-18 x 2-1/2")	1	1
21		0175600	Spacer, Coved (5/16 x 3/4 x 3/8")	1	2
22		1082699	T-Nut (1/4-20)	1	10
23		1038785-NLA	NLA - Pin, Roll (1/8 x 3/8")	1	1
24		1101883	Glide	1	5
25	F	1109310-NLA	NLA - Extrusion, Internal Slide (16-3/4" L)	1	1
26		1099702	Glide, Internal	1	1
27		1018846	Screw, Socket Button Head (#10-24 x 3/4")	1	1
28	F	1099698-NLA	NLA - Bracket, Actuator	1	1
29		1026907	Washer (1/4 x 1/2 x 1/16")	1	8
30		1100023	Screw, Button Head w/ Patch (1/4-20 x 1/2")	1	10
31	F	1099686-NLA	NLA - Bearing, Linear	1	1
32	F	1109311-NLA	NLA - Extrusion, External - Right (14-1/2" L)	1	1
32	F	1109312-NLA	NLA - Extrusion, External - Left (14-1/2" L)	1	1
33		7930335-NLA	NLA - Package, Screw, Phillips Pan Head (#10-32 x 1/2")	25	2
34	F	1101116-NLA	NLA - Calf Pad Bracket Assembly, Black	1	1
35		88804529X003	Pad, Legrest, Vinyl - Right	1	1
35		88804529X004	Pad, Legrest, Vinyl - Left	1	1
36		1023965-NLA	NLA - Screw, Socket Head (#10-32 x 1-1/2")	1	2
37		1028516	Washer, Steel (3/16 x 7/16 x 1/16")	1	2

Power Non-Articulating Legrest POWERLR18/POWERLR20 (9/15/01 Thru 4/30/02)

Item Number	Note	Part Number	Description	Quantity Per	
				Package	Assembly
38		1015629-NLA	NLA - Bushing	1	2
39	E	1101268	Heel Loop Assembly - Right	1	1
39	E	1101269	Heel Loop Assembly - Left	1	1
40		7930333	Locknut (1/4-20)	25	1
41		1029545	Screw, Socket Flat Head (1/4-20 x 3/4")	1	2
42		1060427-NLA	NLA - Footplate, Adjustable Angle, Large, Black (5-1/4" W x 8" L)	1	1
43		1008495	Screw, Socket Button Head (1/4-20 x 1-1/2")	1	1
44		1082686	Nut, Barrel, Hex Head (1/4-20 x 11/16")	1	2
45		1058517	Clamp, Footplate	1	1
46		1052102	Hinge, Footplate - Right	1	1
46		1052103	Hinge, Footplate - Left	1	1
47		1048816	Screw, Nylon Adjustment (1/2-13 x 7/8")	1	1
48		7930313	Package, Washer, Nylon (5/16 x 7/8 x 1/8")	25	2
49		1099678	Extrusion, Footplate Adapter	1	1
50	B	1101114	Footplate Assembly, Adjustable Angle, Black - Right (5-1/4" W)	1	1
50	B	1101115	Footplate Assembly, Adjustable Angle, Black - Left (5-1/4" W)	1	1
51		1008432	Screw, Socket Button Head (1/4-20 x 1-1/4")	1	1
52		1025736	Locknut (1/4-20)	25	1
53	C,D	1109313-NLA	NLA - Legrest, Power Non-Articulating, Sector, Black (13"-20" Range) - Right	1	1
53	C,D	1109314-NLA	NLA - Legrest, Power Non-Articulating, Sector, Black (13"-20" Range) - Left	1	1

NOTE: A - Includes Items 2-7
 B - Includes Items 22, 29, 30, 36-49
 C - Includes Items 1, 8-35 and 50-52
 D - Power Non-articulating legrest NLA. See power articulating legrest dated after 7/26/04. A pair will be required to have articulation on both sides.
 E - Heel loop service part was lengthened 12/13/02. Verify with customer if longer heel loop is present. Order in pairs when needed along with 2 each of items 36, 37 and 38.
 F - No longer available, see item 53 part numbers 1109313 and 1109314