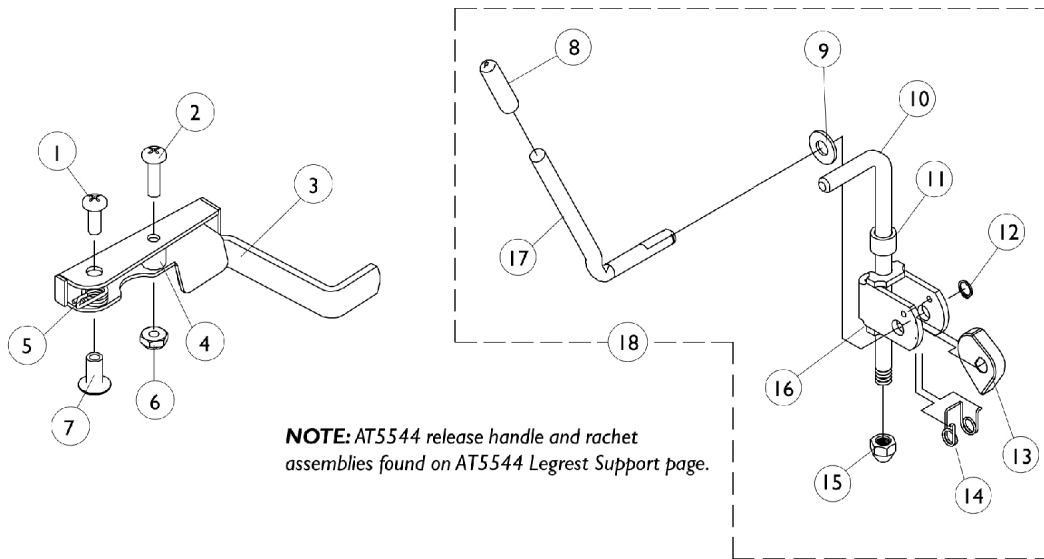


# Legrest Release Handles and Ratchets



Item Number	Note	Part Number	Description	Quantity Per	
				Package	Assembly
1		7930328-NLA	NLA - Package, Screw, Phillips Pan Head (#10-32 x 11/16")	25	1
2		7930335-NLA	NLA - Package, Screw, Phillips Pan Head (#10-32 x 1/2")	25	1
3		1035539	Handle, Release, Black - Right	1	1
3		1035540	Handle, Release, Black - Left	1	1
4		47565X057	Bushing (7/32 x 3/8 x 11/32")	1	1
5		1028707	Spring, Release - Right	1	1
5		1028708	Spring, Release - Left	1	1
6		7930332-NLA	NLA - Locknut, High Profile (#10-32)	25	1
7		1028846-NLA	NLA - Rivnut (#10-32)	25	1
8		1040060	Tip, Plastic, Black	1	1
9		7930310-NLA	NLA - Washer, Nylon (5/16 x 11/16 x 1/16")	1	1
10	C	42326X004	Bar, Ratchet - Right/Left	1	1
10	D	1023811-NLA	NLA - Bar, Ratchet - Right	1	1
10	D	1023812-NLA	NLA - Bar, Ratchet - Left	1	1
11		47328X003	Bushing, Pivot (5/16 x 7/16 x 7/8")	1	1
12		1040831	Ring, Snap	1	1
13		1037125	Cam, Legrest	1	1
14		1037485	Spring, Release	1	1
15		7930336-NLA	NLA - Nut, Acorn (5/16-24)	25	1
16		04528X002	Bracket, Release, Black	1	1
17		1037126	Handle, Release	1	1
18	A	1046329	Kit, Elevating Legrest Ratchet Hardware (Pair)	2	1
18	B	1046331-NLA	NLA - Kit, Articulating Legrest Ratchet Hardware (Pair)	2	1

NOTE: A - P904A Legrest  
 B - PAS4A and PAL4A Legrest  
 C - P904A Legrest  
 D - Articulating