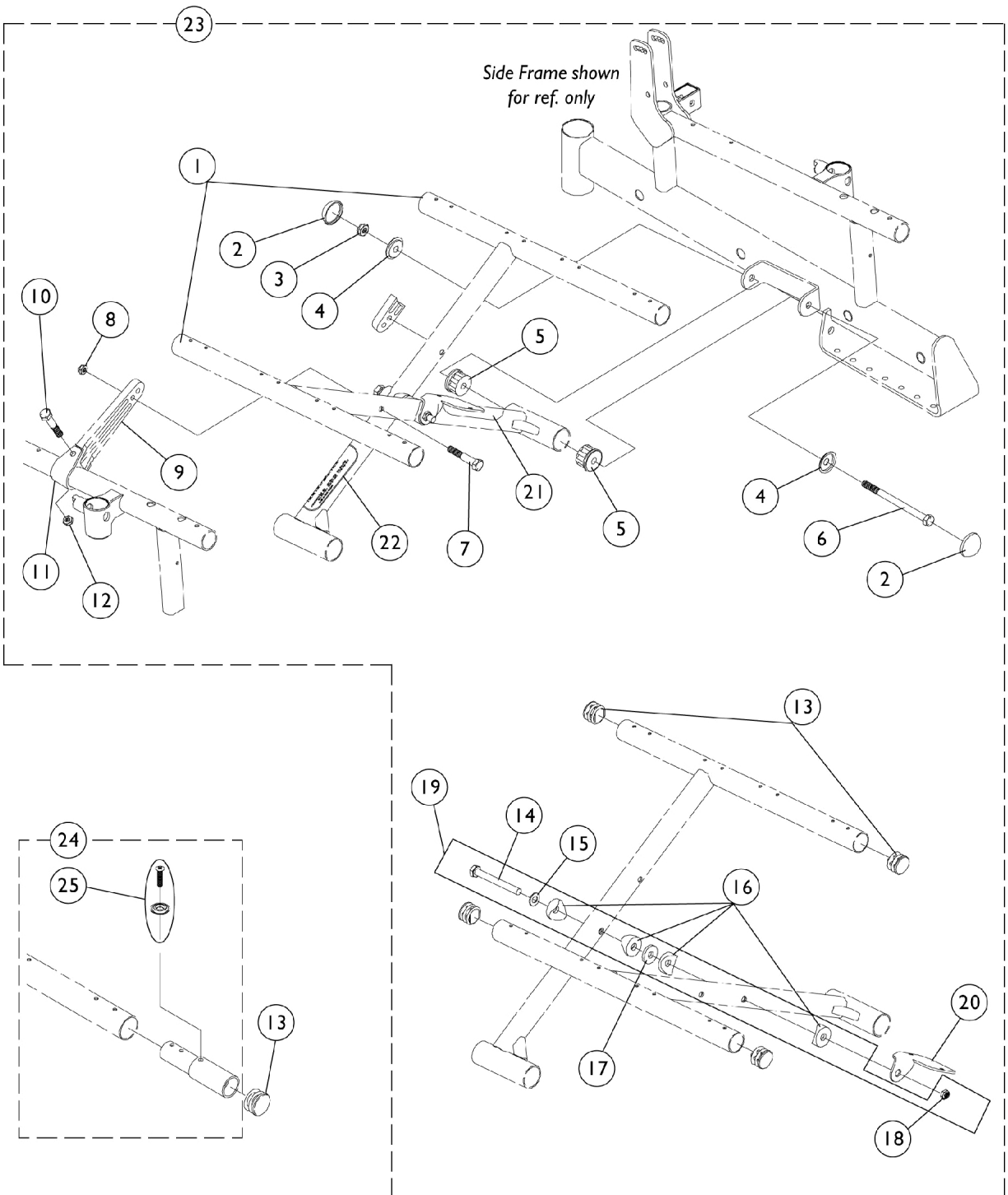


# Crossbraces, Seat Extensions and Hardware

## R2 jr. - 14" Wide - Sling Seat



## Crossbraces, Seat Extensions and Hardware

### R2 jr. - 14" Wide - Sling Seat

Item Number	Note	Part Number	Description	Quantity Per	
				Package	Assembly
1	A	1080253-NLA	NLA - Crossbrace Assembly, Black - Right (14" W)	1	2
1	A	1080254-NLA	NLA - Crossbrace Assembly, Black - Left (14" W)	1	2
2		1028835-NLA	NLA - Cap, Hub, Black	1	4
3		7930363-NLA	NLA - Package, Locknut (5/16"-24)	25	1
4		1028491-NLA	NLA - Washer, Caplugs (11/32" I.D. x 1" O.D.)	1	4
5		1056708-NLA	NLA - Plug, Pivot Tube	1	4
6		1038179-NLA	NLA - Screw, Hex Head (5/16-24 x 4-1/4")	1	2
2-6	B,E	1057830-NLA	NLA - Hardware, Crossbrace Pivot Tube	2	1
7		1024793-NLA	NLA - Screw, Hex Head (1/4-20 x 1-3/4")	1	2
8		7930333	Locknut (1/4-20)	25	1
9		1057381-NLA	NLA - Link, Pivot, Hemi, Black (14 - 15" W)	1	2
10		1030949	Screw, Hex Head (1/4-20 x 1-1/2")	1	2
11		1057828-NLA	NLA - Strap, Pivot Link	1	2
12		7930323-NLA	NLA - Package, Locknut (1/4-20)	25	1
13		1029501	Plug Button, Black (1")	1	4
14		1025705-NLA	NLA - Screw, Hex Head (5/16-24 x 3-1/4")	1	1
15		1025704	Washer, Flat (5/16 x 5/8 x 1/16")	1	1
16		1016263	Spacer, Coved (3/4 x 1 x 1/2")	1	4
17		7930313	Package, Washer, Nylon (5/16 x 7/8 x 1/8")	25	1
18		7930330-NLA	NLA - Locknut (5/16-24)	25	1
19	C	1086180-NLA	NLA - Hardware, Crossbrace Center Bolt Attaching	1	1
20		1086176-NLA	NLA - Bracket, Wire Connector Support, Black	1	1
21		1035900	Decal, Transportation	1	1
22		1119281-NLA	NLA - Plate, Name, Patent Numbers	1	1
23	D	1086177-NLA	NLA - Hardware, Crossbrace	1	1
24	F	1058616-NLA	NLA - Kit, Seat Extension - 1" (Pair)	2	1
24	G	1058617	Kit, Seat Extension - 2" (Pair)	2	1
25		1026298	Package, Screw with Washer (#10 x 7/8") (Pair)	2	1
25		1076284	Screw w/ Washer (#10 x 7/8")	1	2

NOTE: A - Decals not included with frames. See page titled, "Packaging, Literature and Decals."  
 B - Not Shown.  
 C - Includes Items 14-18.  
 D - Includes Items 2-8, 10-18, 20-22, Less Items 1 and 9.  
 E - Includes Items 2-6.  
 F - For 17" Depth.  
 G - For 18" Depth.