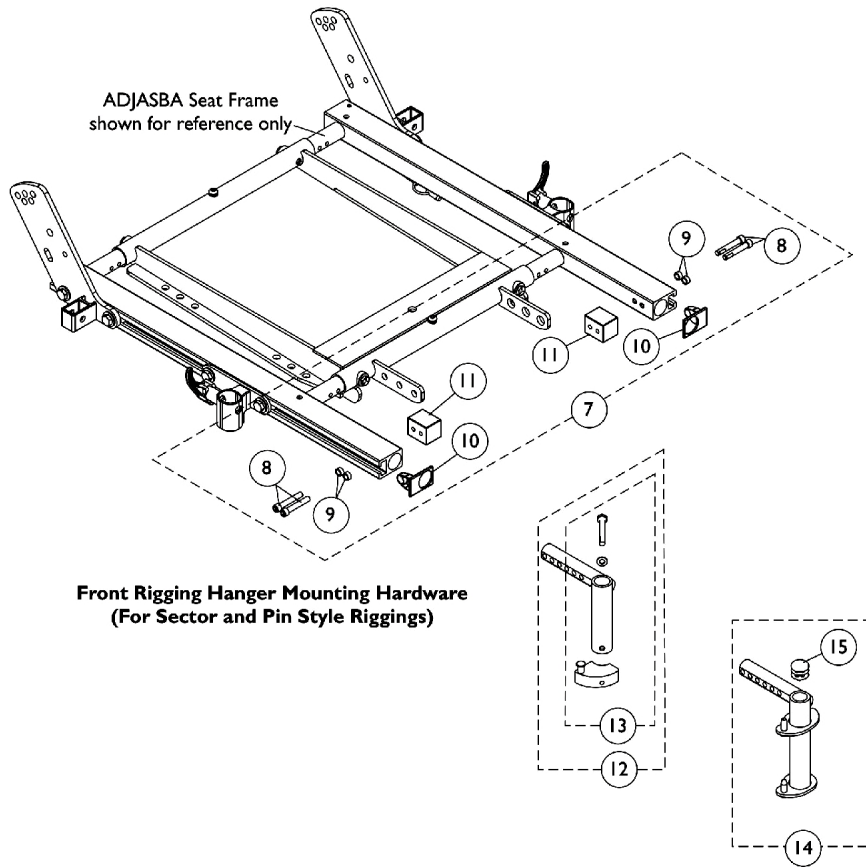
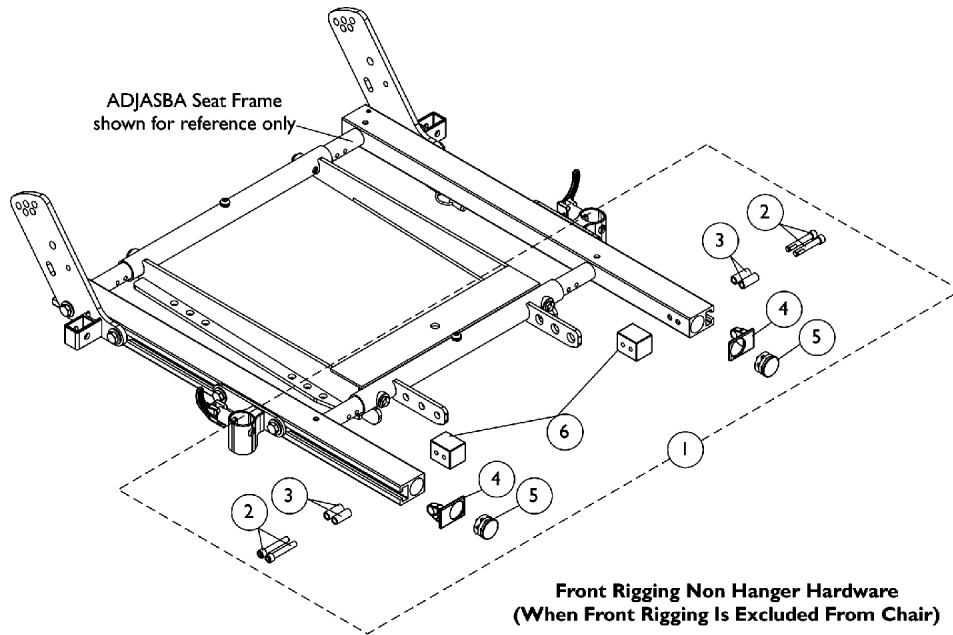


# Front Rigging Hangers and Hardware

## Pin & Sector Style For ADJASBA/ADJRECL (16"-24" Wide) (After 7/4/05)



## Front Rigging Hangers and Hardware

### Pin & Sector Style For ADJASBA/ADJRECL (16"-24" Wide) (After 7/4/05)

Item Number	Note	Part Number	Description	Quantity Per	
				Package	Assembly
1	A	1124723	Kit, Side Rail Cap Hardware (Pair)	1	1
2			Screw, Socket Head Cap w/ Patch (1/4-20 x 1-1/2")	1	4
3			Spacer (1/4 x 3/8 x 29/32")	1	4
4			Cap, End, Side Rail, Black	1	2
5			Plug Button, Black (1")	1	2
6			Block, Threaded	1	2
7	B	1125726	Kit, Front Rigging Hanger Mounting Hardware (Pair)	1	1
8			Screw, Socket Head Cap w/ Patch (1/4-20 x 1-1/2")	1	4
9			NLA - Spacer (1/4 x 3/8 x 3/16")	1	4
10			Cap, End, Side Rail, Black	1	2
11			Block, Threaded	1	2
12	C	1122602	Front Rigging Hanger Assembly w/ Sector Block, Black - Right	1	1
12	C	1122603	Front Rigging Hanger Assembly w/ Sector Block, Black - Left	1	1
13	D	1054571	Kit, Sector Block - Right	1	1
13	D	1054572	Kit, Sector Block - Left	1	1
14		1136006	Front Rigging Hanger Assembly w/ Plug Button, Pin Style, Adult, Black - Right	1	1
14		1136007	Front Rigging Hanger Assembly w/ Plug Button, Pin Style, Adult, Black - Left	1	1
15		1134426	Package, Plug Button, Black (3/4")	10	1

NOTE: A - Includes items 2-6  
B - Includes items 8-11  
C - Includes Front Rigging Hanger and item 13  
D - Includes the Sector Block, Screw and Washer