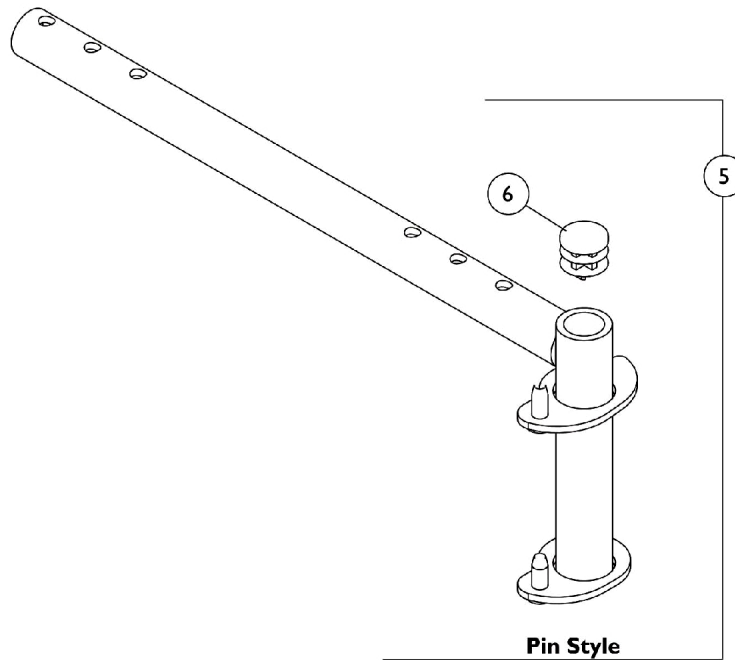
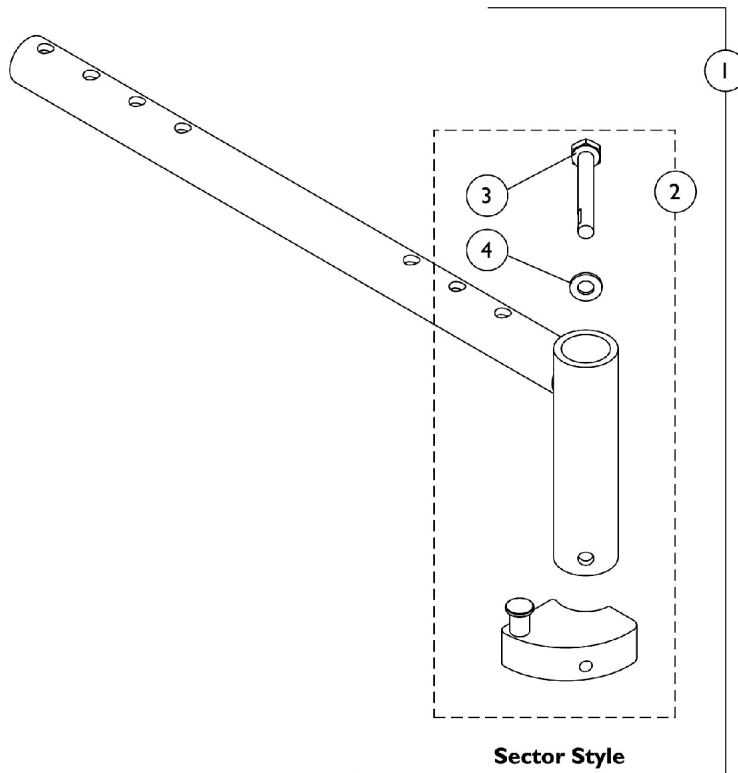


Front Rigging Hanger Assembly

Pin & Sector Style For ASBA Seats (Before 7/5/05) and All Van Seats

NOTE: Front rigging hanger assemblies and seat pans share the same mounting hardware, see Seat Pan and Mounting Hardware page.



Front Rigging Hanger Assembly

Pin & Sector Style For ASBA Seats (Before 7/5/05) and All Van Seats

NOTE: Front rigging hanger assemblies and seat pans share the same mounting hardware, see Seat Pan and Mounting Hardware page.

Item Number	Note	Part Number	Description	Quantity Per	
				Package	Assembly
1	A	1068435	Front Rigging Hanger Assembly w/ Sector Block, Black - Right (12 - 21" D)	1	1
1	A	1068436	Front Rigging Hanger Assembly w/ Sector Block, Black - Left (12 - 21" D)	1	1
1	A	1068437-NLA	NLA - Front Rigging Hanger Assembly w/ Sector Block, Black - Right (22" D)	1	1
1	A	1068438-NLA	NLA - Front Rigging Hanger Assembly w/ Sector Block, Black - Left (22" D)	1	1
2	B	1054571	Kit, Sector Block - Right	1	1
2	B	1054572	Kit, Sector Block - Left	1	1
3		1052957	Screw, Hex Head w/ Patch (1/4-20 x 2")	1	1
4		1026907	Washer (1/4 x 1/2 x 1/16")	1	1
5	C	1070356-NLA	NLA - Hanger Assembly, Front Rigging, Pin Style, Black - Right (12 - 21" D)	1	1
5	C	1070357-NLA	NLA - Hanger Assembly, Front Rigging, Pin Style, Black - Left (12 - 21" D)	1	1
5	C	1070358-NLA	NLA - Hanger Assembly, Front Rigging, Pin Style, Black - Right (22" D)	1	1
5	C	1070359-NLA	NLA - Hanger Assembly, Front Rigging, Pin Style, Black - Left (22" D)	1	1
6		1027097	Plug Button, Black (3/4")	1	1

NOTE: A - Includes item 2
 B - Includes the sector block and items 3 and 4
 C - Includes item 6