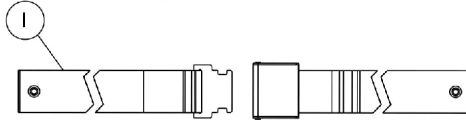


Miscellaneous Accessories

NOTE: Chest Positioning Straps share the same hardware that attaches a Back Upholstery



Auto Style Push Button Buckle

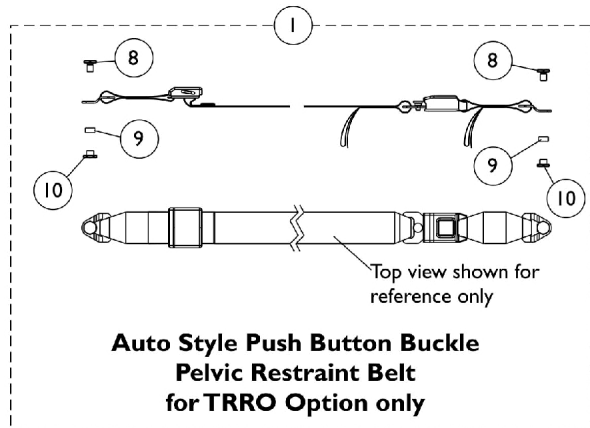


Airline Style Buckle Positioning Strap

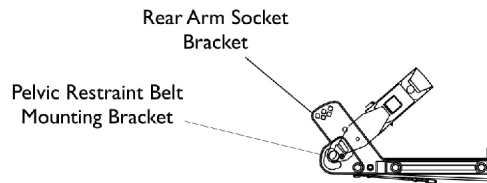


Hook and Loop Style Buckle Positioning Strap

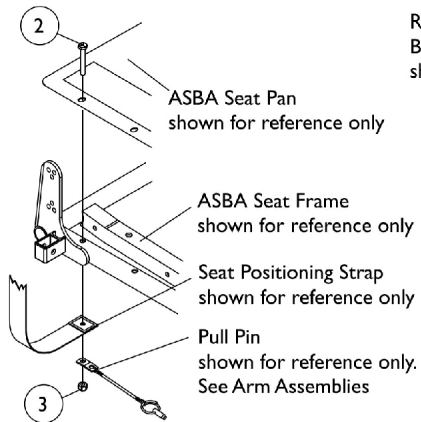
**Positioning Straps
(For ASBA and ADJASBA Seating
without TRRO Option)**



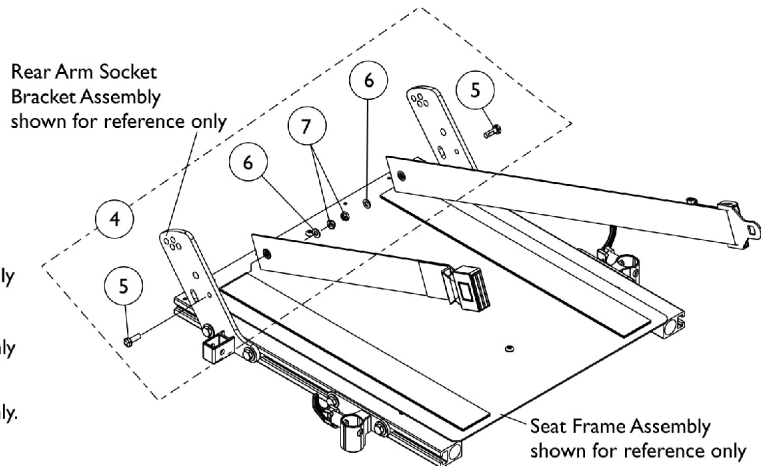
**Auto Style Push Button Buckle
Pelvic Restraint Belt
for TRRO Option only**



**Pelvic Restraint Belt Mounting Location
(For ADJASBA Seating w/ TRRO Option)**



**Seat Positioning Strap
Mounting Hardware
(For ASBA Seating)**



**Seat Positioning Strap
Mounting Hardware
(For ADJASBA Seating)**

Miscellaneous Accessories

NOTE: Chest Positioning Straps share the same hardware that attaches a Back Upholstery

| Item Number | Note | Part Number | Description | Quantity Per | |
|-------------|------|---------------|--|--------------|----------|
| | | | | Package | Assembly |
| 1 | | See Chart | #1 Auto Style Push Button Positioning Strap | 1 | 1 |
| 1 | | See Chart | #1 Airline Style Positioning Strap | 1 | 1 |
| 1 | | See Chart | #1 Hook and Loop Style Positioning Strap | 1 | 1 |
| 1 | C | See Chart | #1 Pelvic Restraint Belt w/ Auto Style Buckle (TRRO Option Only) | 1 | 1 |
| 2 | | 1037610 | Screw, Hex Head (1/4-20 x 1-5/8") | 1 | 2 |
| 3 | | 1025736 | Locknut (1/4-20) | 1 | 2 |
| 4 | A | 1124385 | Kit, Seat Positioning Strap Mounting Hardware (both LT & RT sides) | 1 | 1 |
| 5 | | | Screw, Hex Head w/ Patch (1/4-20 x 3/4") | 1 | 2 |
| 6 | | | Washer (1/4 x 1/2 x 1/16") | 1 | 2 |
| 7 | | | Locknut (1/4-20) | 1 | 2 |
| 8 | | 1134055-NLA | NLA - Screw, Hex Head (3/8-24 x 5/8") | 1 | 2 |
| 9 | | 1134054-NLA | NLA - Bushing, Nylon (1/2 x 9/16 x 9/32") | 1 | 2 |
| 10 | | 1134056-NLA | NLA - Nut, Barrel (3/8-24) | 1 | 2 |
| | B | 40176X010-NLA | NLA - Pump, Tire | 1 | 1 |

NOTE: A - Includes items 5-7
 B - Not Shown
 C - Before ordering a replacement Pelvic Restraint Belt for TRRO Option, Please read the information provided on page titled "TRRO and TRBKTS Option Clarification Reference" page

#1 Auto Style Push Button Positioning Strap

| Chair Width | Part Number | Seat/Chest Positioning Strap w/ Auto Style Buckle Length (Eyelet to Eyelet) |
|----------------|------------------------------|---|
| 16" - 19" Wide | 1004310 | 48" L |
| 20" - 22" Wide | 1034625 | 61" L |
| 23" - 24" Wide | 1034622-NLA See Note(s) A | 69" L |

NOTE: A - For replacement contact The Aftermarket Group (TAG).

#1 Airline Style Positioning Strap

| Chair Width | Part Number | Seat/Chest Positioning Strap w/ Airline Style Buckle Length (Eyelet to Eyelet) |
|----------------|------------------------------|--|
| 16" - 19" Wide | TAGTS1034751-NLA | 46" L |
| 20" Wide | 1034752-NLA See Note(s) A | 61" L |

NOTE: A - 1034752 Airline Buckle Style is No Longer Available. Use Auto Style part number 1034625 as a replacement.

Miscellaneous Accessories

NOTE: Chest Positioning Straps share the same hardware that attaches a Back Upholstery

#1 Hook and Loop Style Positioning Strap

| Chair Width | Part Number | Seat/Chest Positioning Strap w/ Hook and Loop Style Buckle Length (Eyelet to Eyelet) |
|----------------|--------------------------|--|
| 16" - 19" Wide | 1034744 See Note(s) A | 45" L |
| 20" Wide | 1034745 See Note(s) A | 61" L |

NOTE: A - Hook and Loop Style Positioning Straps for power chairs used for chest positioning only.

#1 Pelvic Restraint Belt w/ Auto Style Buckle (TRRO Option Only)

| Chair Width | Part Number | Pelvic Restraint Belt w/ Auto Style Buckle Length For TRRO Option Only (Bushing Hole to Bushing Hole Length) |
|----------------|------------------------------|--|
| 16" - 20" Wide | 1134475-NLA See Note(s) A | 37" L |

NOTE: A - Includes the Pelvic Restraint Belt and items 8-10