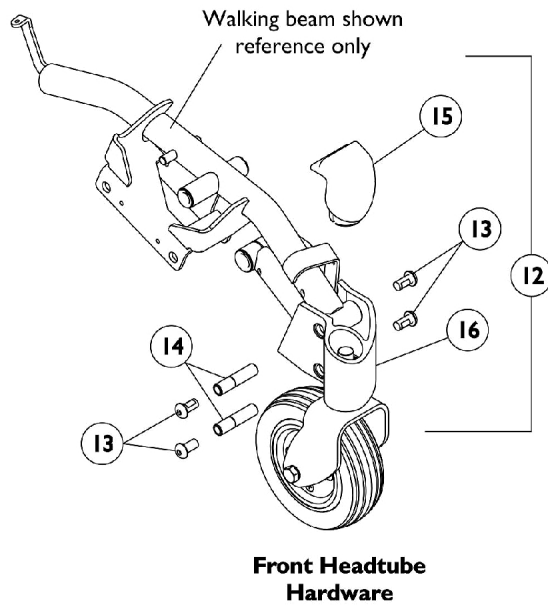
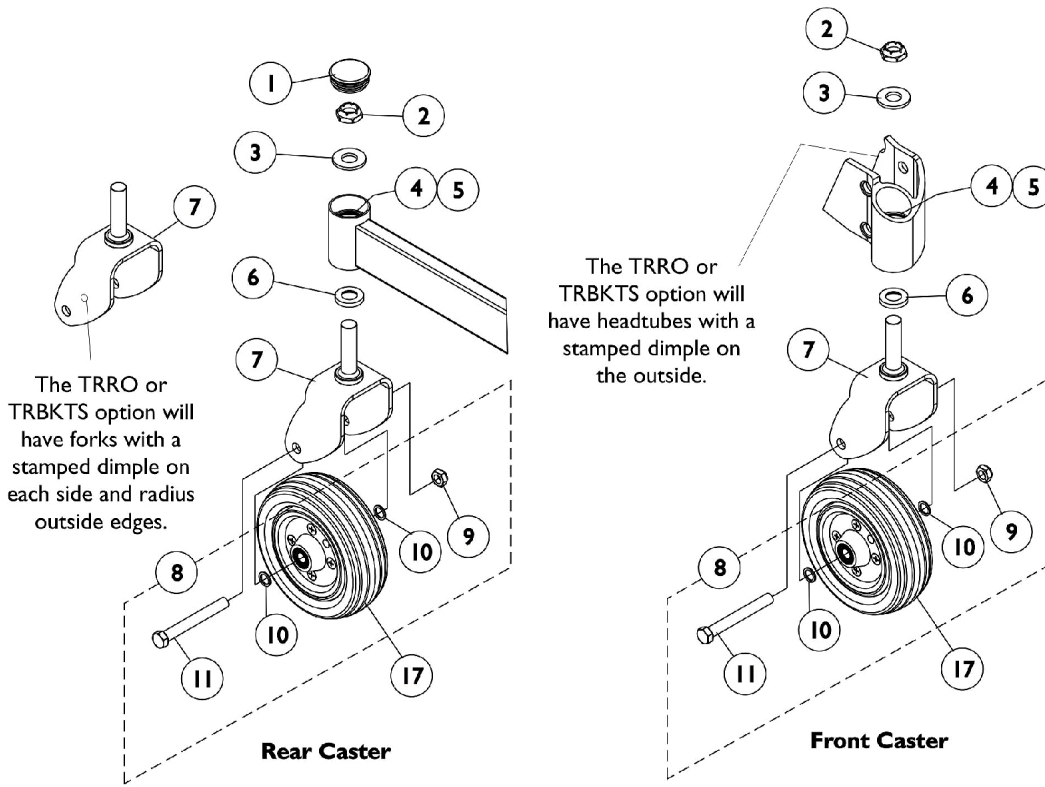


# Casters, Forks and Hardware

## Front & Rear



## Casters, Forks and Hardware Front & Rear

Item Number	Note	Part Number	Description	Quantity Per	
				Package	Assembly
1		1110709	Cap, Head Tube, Black	1	1
2		1028550	Locknut (5/8-18)	1	1
3		1041444	Washer, Nylon (5/8 x 1-5/16 x 1/8")	1	1
4		40117X006	Bearing (5/8")	1	2
5		1110717	Ring, Tolerance	1	2
6		1106068	Spacer, Stem (5/8 x 1-1/8 x 3/16")	1	1
7		1110683	Fork and Stem, 2-Sided - Right/Left	1	1
7	H	1141020	Fork and Stem, 2-Sided, TRRO/TRBKTS - Right/Left	1	1
8	A	1110708	Kit, Caster Mounting Hardware	1	1
9		1025734	Locknut (7/16-20)	1	1
10		1025724	Washer, Steel (15/32 x 5/8 x 3/64")	1	2
11		1025726	Screw, Hex Head (7/16-20 x 3-1/4")	1	1
12	B,F	1110688	Kit, Caster Headtube with Hardware - Right	1	1
13			Screw, Socket Button Head Cap (3/8-24 x 3/4")	1	4
14			Bushing, Pivot Head Tube	1	2
15			Cap, Head Tube - Right	1	1
16			Headtube Assembly with Bearings, Black - Right	1	1
12	B,F	1110689	Kit, Caster Headtube with Hardware - Left	1	1
13			Screw, Socket Button Head Cap (3/8-24 x 3/4")	1	4
14			Bushing, Pivot Head Tube	1	2
15			Cap, Head Tube - Left	1	1
16			Headtube Assembly with Bearings, Black - Left	1	1
12	B,G,I	1140293	Kit, Caster Headtube with Hardware - Right (TRRO/TRBKTS)	1	1
13			Screw, Socket Button Head Cap (3/8-24 x 3/4")	1	4
14			Bushing, Pivot Head Tube	1	2
15			Cap, Head Tube - Right	1	1
16			Headtube Assembly with Bearings, TRRO/TRBKTS, Black - Right	1	1
			Spacer, Stem (5/8 x 1-1/8 x 3/16")	1	1
12	B,G,I	1140294	Kit, Caster Headtube with Hardware - Left (TRRO/TRBKTS)	1	1
13			Screw, Socket Button Head Cap (3/8-24 x 3/4")	1	4
14			Bushing, Pivot Head Tube	1	2
15			Cap, Head Tube - Left	1	1
16			Headtube Assembly with Bearings, TRRO/TRBKTS, Black - Left	1	1
			Spacer, Stem (5/8 x 1-1/8 x 3/16")	1	1
13		1109222	Screw, Socket Button Head Cap (3/8-24 x 3/4")	1	4
14		1112633	Bushing, Pivot Head Tube	1	2
15		1113012	Cap, Head Tube - Right	1	1
15		1113013	Cap, Head Tube - Left	1	1
16	C,F	1110694	Headtube Assembly with Bearings, Black - Right	1	1
16	C,F	1110695	Headtube Assembly with Bearings, Black - Left	1	1
16	C,G	1140289	Headtube Assembly with Bearings, TRRO/TRBKTS, Black - Right	1	1

## Casters, Forks and Hardware Front & Rear

Item Number	Note	Part Number	Description	Quantity Per	
				Package	Assembly
16	C,G	1140290	Headtube Assembly with Bearings, TRRO/TRBKTS, Black - Left	1	1
17	D	1072014-NLA	NLA - Wheel Assembly, Semi-Pneumatic, Urethane (6" x 2")	1	1
17	E	1115179	Wheel Assembly, Semi-Pneumatic, Urethane, Deep Profile, Grey Tire/Black Hub (6" x 2")	1	1
17	E	1122066	Wheel Assembly, Semi-Pneumatic, Urethane, Deep Profile, Grey Tire/Black Hub (6" x 2") (Pair)	2	1
<p>NOTE: A - Includes Items 9-11            B - Includes Items 13-16            C - Includes Items 4 and 5            D - Chairs made before 7/14/03. Due to product improvement, it is recommended to order (pair) number 1122066 dated after 7/13/03 so each side matches. The deep profile caster has 2 tread grooves w/ round corners instead of 4 tread grooves w/ square corners            E - For chairs made after 7/13/03. The pair part number is also used for converting casters on chairs made before 7/14/03            F - Non TRRO chairs            G - Chairs with TRRO/TRBKTS option. These headtubes will have a dimple stamped on the outside for identification purposes.            H - Chairs with TRRO/TRBKTS option. These forks will have a dimple stamped on each side for identification purposes.            I - Spacer is not shown</p>					