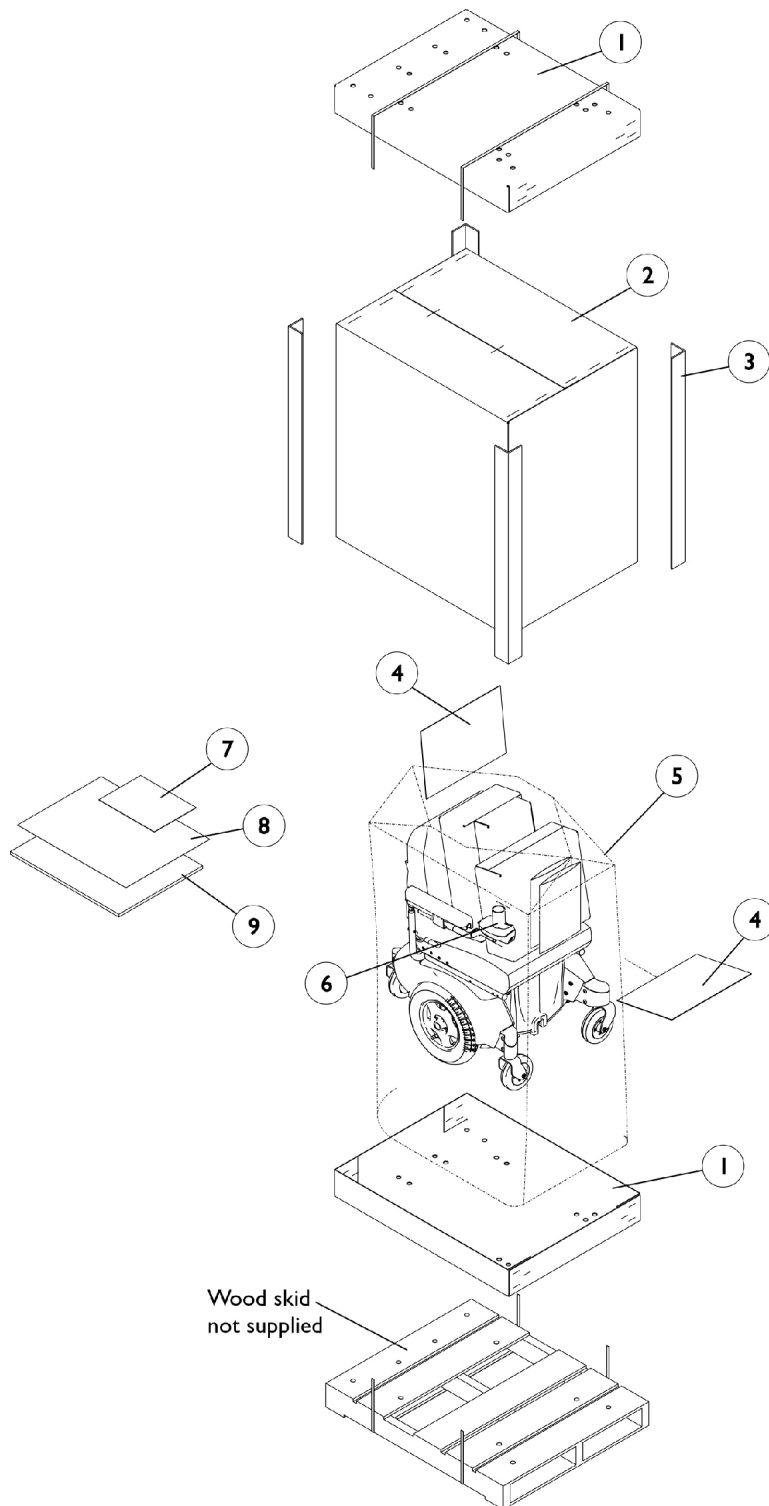


Packaging, Literature and Decals



Packaging, Literature and Decals

Item Number	Note	Part Number	Description	Quantity Per	
				Package	Assembly
1		1030362	Carton, Tray	1	1
2		1030364	Carton, Cover	1	1
3		1115174	Carton, Corner Reinforcement	1	4
4		40131X161	Insert, Plain Pad	1	2
5		1015592	Bag, Poly (72" L x 35" W x 19" D)	1	1
6		1043198-NLA	NLA - Tube, Paper	1	1
7		00077X031-NLA	NLA - Warranty Card	1	1
8	C	1110532-NLA	NLA - Instruction Manual, MK5 NX/NX-LP	1	1
8	C	1114808-NLA	NLA - Instruction Manual, MK5 EX/ TT-EX Electronics	1	1
8	C	1122140-NLA	NLA - Instruction Manual, MK5 NX-80	1	1
9	C	1141450-NLA	NLA - Owner's Manual, Pronto M91w/ MKIV/MK5 Electronics	1	1
9	C	1143153-NLA	NLA - Owner's Manual, M91 Base with MK6i Electronics	1	1
9	C	1143192-NLA	NLA - Owner's Manual, ADJASBA Seat with MK6i Electronics	1	1
	A	1119281-NLA	NLA - Plate, Name, Patent Numbers	1	1
	B	1164348	Mailer, Return, Mercury Free	1	1

NOTE: A - Not Shown
 B - For Massachusetts providers only
 C - Item is no longer available from the Invacare Service Parts Department. Refer to the Invacare Website under "Product Literature Search". Enter the part number in the "Keywords" field and download a free PDF version copy.

NOTE: When adjusting or replacing parts, please refer to your Owner's Manual for reference.