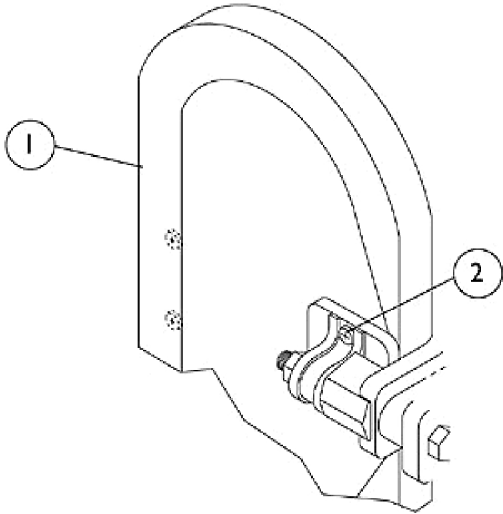


Legrest Calf Pads



Item Number	Note	Part Number	Description	Quantity Per	
				Package	Assembly
1	B,A	88804529X003	Pad, Legrest, Vinyl - Right	1	1
1	B,A	88804529X004	Pad, Legrest, Vinyl - Left	1	1
1	C,A	8881091764	Pad, Legrest, Vinyl - Right/Left	1	1
2		1025716	Screw, Phillips Pan Head (#10-32 x 11/16")	1	2
NOTE: A - Specify U67 upholstery color when ordering. B - 14-15" Wide Chairs C - 16-20" Wide Chairs					