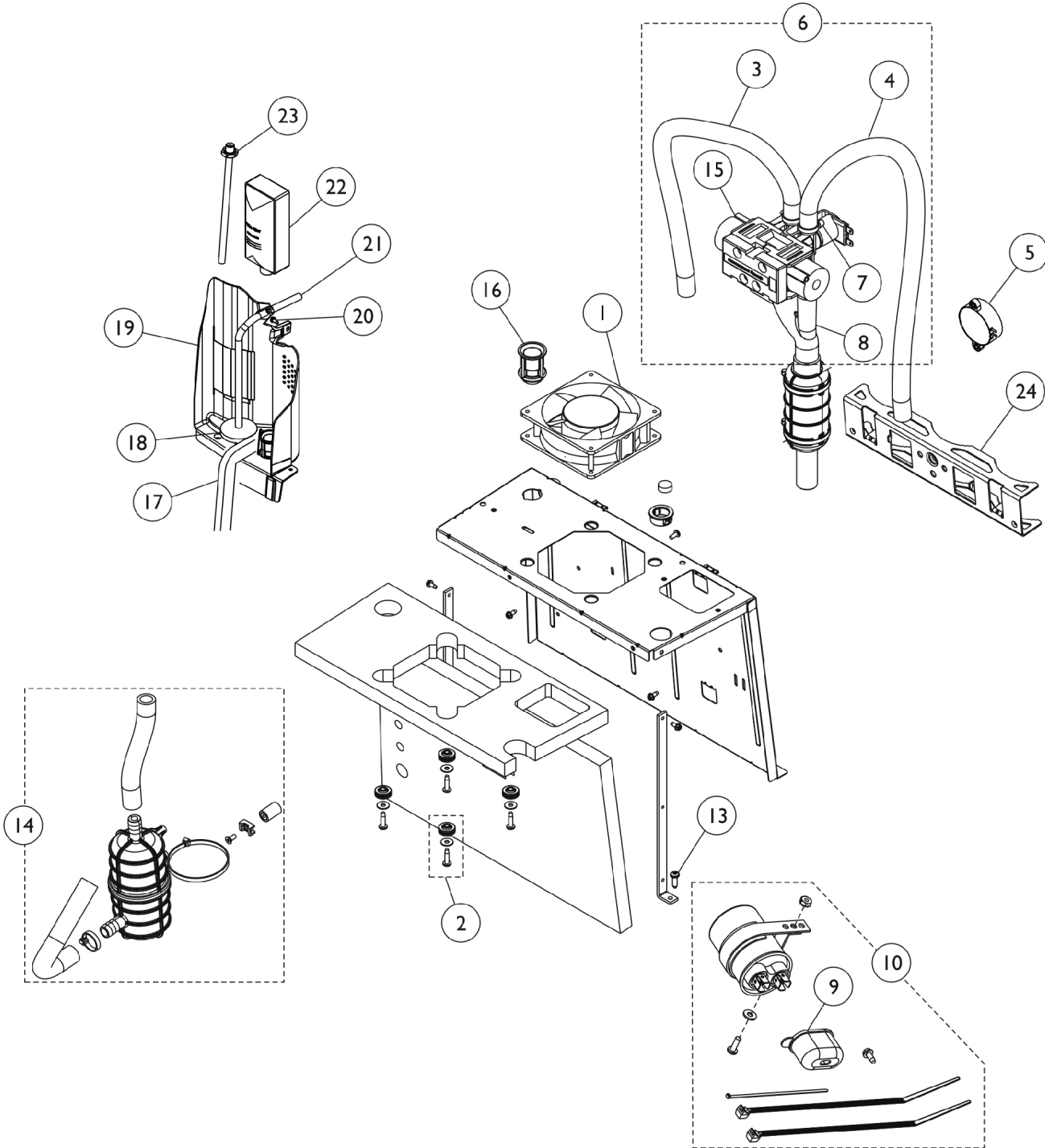


Sound Box & Manifold



Sound Box & Manifold

Item Number	Note	Part Number	Description	Quantity Per	
				Package	Assembly
1		1136943-NLA	NLA - Tech Only - Fan, Exhaust	1	1
2		1141964	Kit, Fan Mounting Hardware	1	1
			Grommet, Isolator w/ Spacer	4	1
			Washer (#10)	4	1
			NLA - Screw, Phillips Pan Head (10-24 x 3/4")	4	1
3		1108783	Tubing, Braided (1/2 x 23")	1	1
4		1108784	Tubing, Braided (1/2 x 20-1/4")	1	1
5		2001765	Harness, Horn/Alarm	1	1
6	A,B	1136944-NLA	NLA - Tech Only - Manifold/Valve and Muffler Assembly	1	1
7		2001682	Tie Wrap (8" L)	1	5
8		1136945-NLA	NLA - Tech Only - Muffler/Y-Tube Assembly	1	1
9		P0875X560-NLA	NLA - Boot, Terminal	1	1
10	D	1141835	Kit, Capacitor 10 MFD	1	1
			NLA - Tech Only - Capacitor, 10 MFD	1	1
			Clamp, Cap	1	1
			Screw, Phillips Pan Head (8-32 x 1/2")	1	1
			Washer, Flat (#8)	1	1
			NLA - Nut, Keps (#6-32)	1	1
			NLA - Boot, Terminal	1	1
			Tie Wrap (3-29/32" L)	1	1
			Screw, Phillips Hex Washer Head (#8-32 x 3/8")	1	1
			Tie Wrap (8" L)	1	2
11	C,E	P0876X026	Clamp, Hose	1	1
12	C,E	1108822	Elbow, PVC Formed (1/2 x 2-1/2 x 2-1/2")	1	1
13		1108810	Screw, Hi-Lo Six Lobe Drive (#10-16 x 5/8")	1	7
14		1141965-NLA	NLA - Kit, Inlet Resonator	1	1
			Tube, Inlet, Top	1	1
			Resonator	1	1
			Tube, Inlet, Bottom	1	1
			Tie Wrap (8" L)	1	1
			Tie Wrap (11-3/4")	1	1
			Screw (8-32 x 3/8")	1	1
			Mount, Cable Tie	1	1
			Stand-Off	1	1
			NLA - Screw, Phillips Pan Head (#8-32 x 3/8")	1	1
15	G	1105552	Kit, 4 Way Valve/Manifold Service	1	1
			NLA - Manifold Assembly	1	1
			Kit, 4-Way Valve w/ Screws	1	1
			Hose, Reinforced Silicon (1/2 x 8-1/2")	1	1
			Tubing, Reinforced Braided (1/2x 4-1/8")	1	2
			Clamp, Hose	1	1
			Tubing, Reinforced Braided (1/2 x 26")	1	2
			Tie Wrap (8" L)	1	6
			Clamp, Plastic (1/2")	1	2
			Bushing, Step (1/2")	1	4
			Washer, Flat (#8)	1	2

Sound Box & Manifold

Item Number	Note	Part Number	Description	Quantity Per	
				Package	Assembly
15	H C C	1101141 1101141R 1101141E-NLA	NLA - Screw, Phillips Pan Head (#8-32 x 3/4")	1	2
			NLA - Resistor Service Assembly	1	1
			Tie Wrap (3-29/32" L)	1	4
			Instruction Sheet	1	1
			Kit, 4-Way Valve w/ Screws	1	1
			Valve, Reconditioned	1	1
			Kit, Valve - Warranty Replacement	1	1
			Valve, Reconditioned	1	1
			Gasket	1	1
			Screw, Socket Head (M5 x .8 x 2mm)	1	4
16		1106675	Coupling, Inlet Filter	1	1
17		2000812	Seal, Foam	1	2
18	F	P0750X030	Filter, Patient HEPA Outlet	1	1
19		1115183	Partition Assembly	1	1
20		1128404	Screw, Phillips Hex Washer Head (#8-32 x 3/8")	1	1
21		1108815-NLA	NLA - Tubing, Silicon (1/4 x 16-1/4")	1	1
22		1131249	Filter, Inlet Sound Reduced	1	1
23		2000799	Adapter with Tubing for Humidifier Bottle	1	1
24		1125477-NLA	NLA - Tech Only - Bracket, Soundbox	1	1
<p>NOTE: A - Manifold is not available as an individual item, order item #6 Manifold/Valve. B - Includes Manifold Assembly and items 3-4, 7-8, 11-12 and 15. C - Not Shown. D - Kit includes Capacitor, Clamp, Boot, Washer, Nut, Screws, Cable Tie and Tie Wrap. E - Used with the Manifold/Valve Assembly. F - After 6/14/07 the Hepa Filter was moved to the inside of cabinet, located between the Flow Meter and the Patient Outlet Barb. See "Rear Control Panel" category to view reflective changes. G - Used with Concentrators manufactured before January 31, 2001. H - Used with Concentrators manufactured after February 1, 2001.</p>					