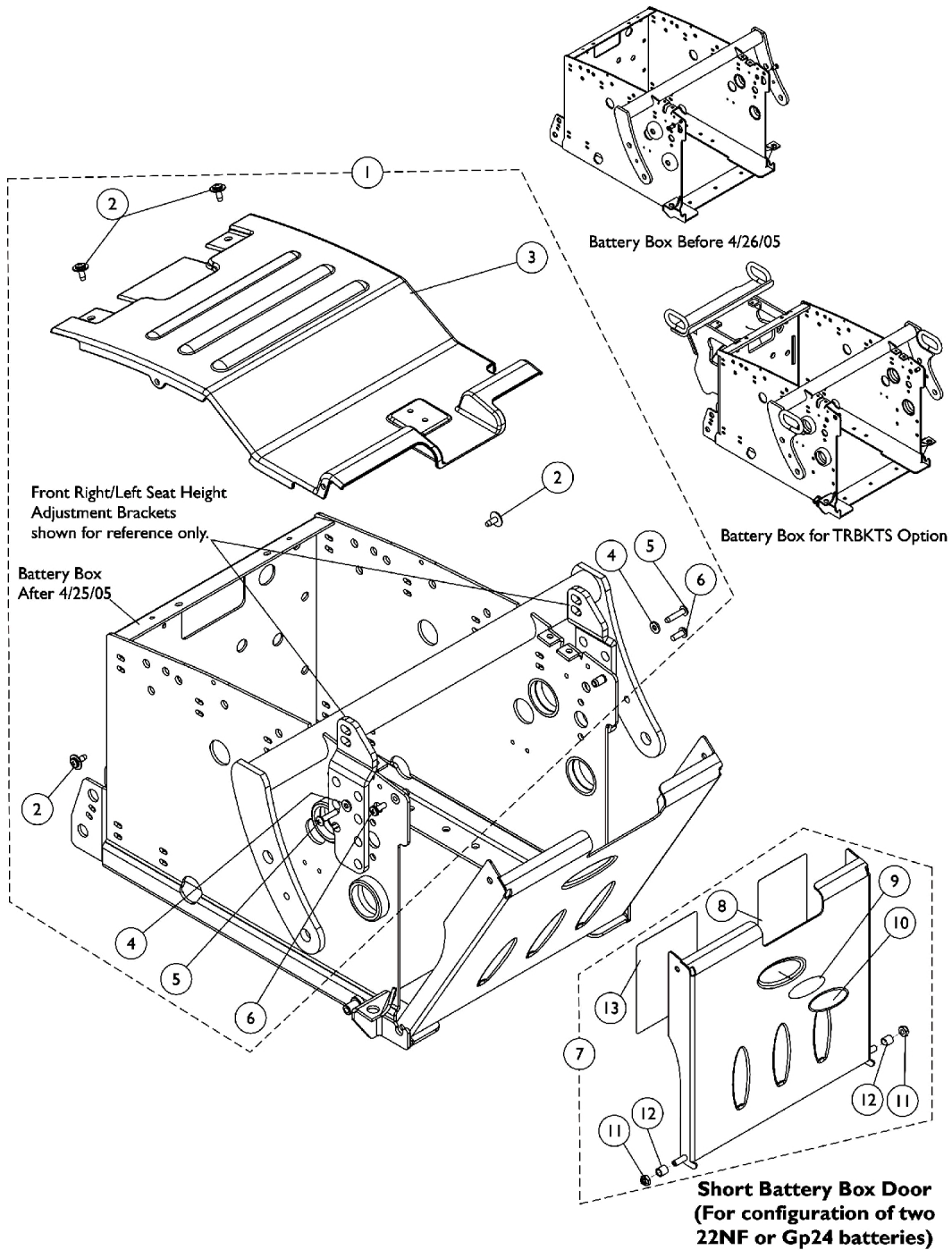


Battery Box Hardware and Door Assembly For TDX

The Battery Boxes are non-serviceable parts in the field. Wheelchair must be returned to Invacare for repair. Call Technical Services for assistance (1-800-832-4707)



Battery Box Hardware and Door Assembly For TDX

The Battery Boxes are non-serviceable parts in the field. Wheelchair must be returned to Invacare for repair. Call Technical Services for assistance (1-800-832-4707)

Item Number	Note	Part Number	Description	Quantity Per	
				Package	Assembly
1	A	1133030	NLA - Kit, Battery Box Hardware For PTO Plus	1	1
2			Screw, Phillips Pan Head Tap (#10-32 x 1/2")	1	4
3			NLA - Cover, Battery Box Shroud	1	1
4			Washer, Steel (3/16 x 7/16 x 1/16")	1	2
5			NLA - Screw, Phillips Pan Head (#10-32 x 7/8")	1	2
6			NLA - 3Screw, Socket Head (#10-32 x 1/2")	1	2
7	B,C,D	1113357	NLA - Kit, Battery Box Door Assembly, 22NF Short	1	1
8			NLA - Label, 22NF Terminal Configuration Warning	1	1
9			NLA - Decal, Blank Logo	1	1
10			NLA - Decal, Invacare Medallion - Large	1	1
11			Locknut (1/4-20)	1	2
12			NLA - Sleeve, Door Pivot	1	2
13			NLA - Label, 22NF Battery Install/Remove	1	1
7	B,C	1113127-NLA	NLA - Kit, Battery Box Door Assembly, GP24 Short	1	1
8			NLA - Label, Terminal Configuration Warning, GP24	1	1
9			NLA - Decal, Blank Logo	1	1
10			NLA - Decal, Invacare Medallion - Large	1	1
11			Locknut (1/4-20)	1	2
12			NLA - Sleeve, Door Pivot	1	2
13			Label, Battery Install/Remove, GP24	1	1

NOTE: A - Includes items 2-6
 B - Includes items 8-13
 C - Blank Logo Decal is no longer available and no longer required for item number 10 Invacare Medallion Decal.
 D - Item is no longer available from the Invacare Service Parts Department. Refer to the Invacare Website under "Product Literature Search". Enter the part number in the "Keywords" field and download a free PDF version copy.