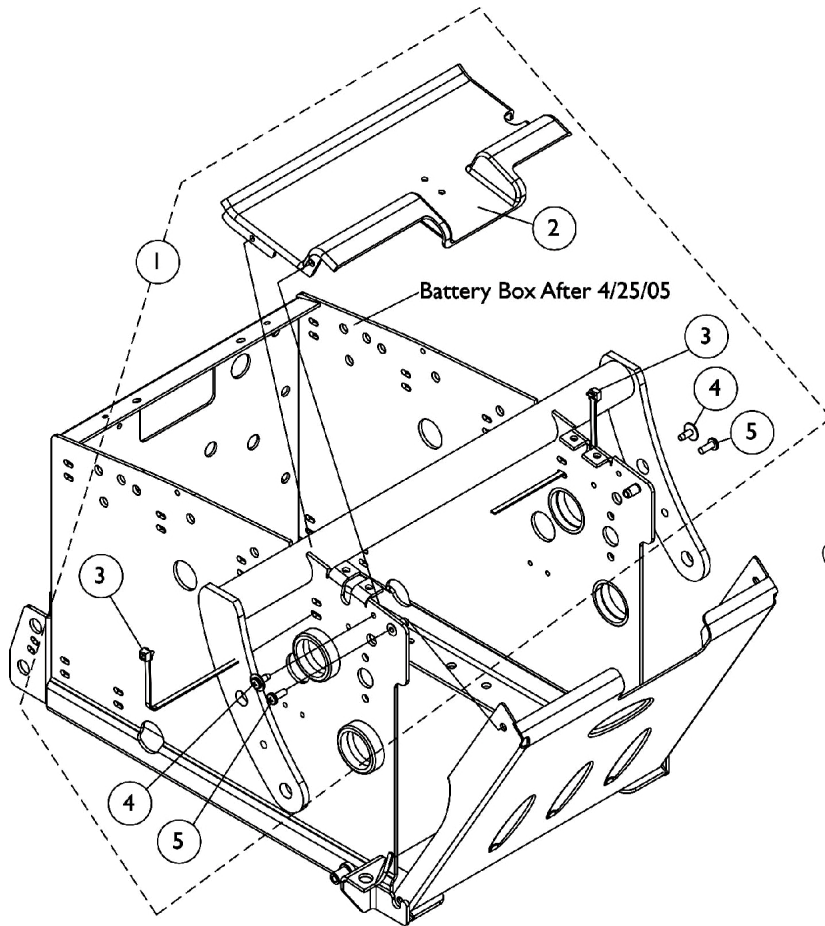
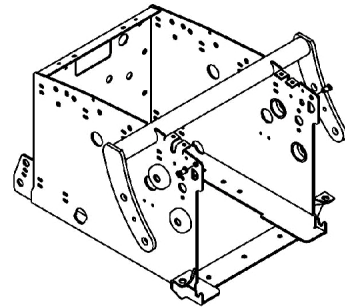


Battery Box Hardware and Door Assembly For Formula Invisible Super Low Tilt Seating

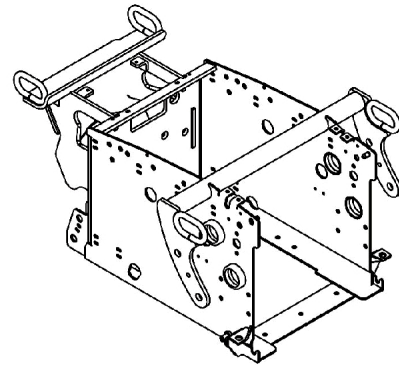
The Battery Boxes are non-serviceable parts. Call Technical Services for assistance (1-800-832-4707)



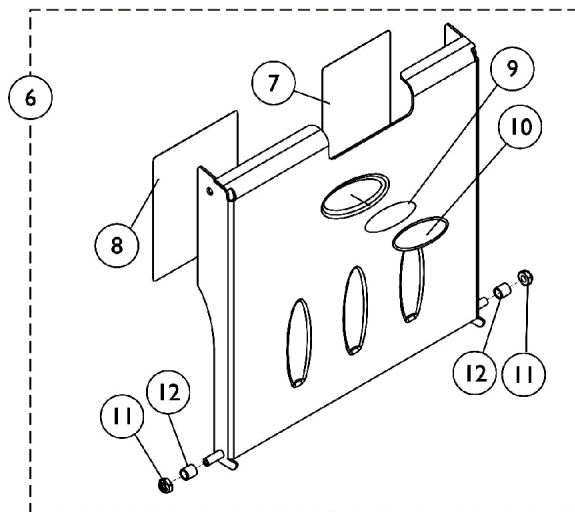
Battery Box After 4/25/05



Battery Box Before 4/26/05



Battery Box for TRBKTS Option



Battery Box Hardware and Door Assembly For Formula Invisible Super Low Tilt Seating

The Battery Boxes are non-serviceable parts. Call Technical Services for assistance (1-800-832-4707)

Item Number	Note	Part Number	Description	Quantity Per	
				Package	Assembly
1	A	1133027-NLA	Kit, Battery Box Hardware, 22NF Short Super Low	1	1
2			NLA - Shroud, Battery Box	1	1
3			Tie Wrap (11-1/2" L)	1	2
4			Screw, Phillips Pan Head Tap (#10-32 x 1/2")	1	2
5			NLA - 3Screw, Socket Head (#10-32 x 1/2")	1	2
6	B,C	1120248-NLA	Kit, Battery Box Door Assembly, 22NF Short Super Low	1	1
7			NLA - Label, 22NF Terminal Configuration Warning	1	1
8			NLA - Label, 22NF Battery Install/Remove	1	1
9			NLA - Decal, Blank Logo	1	1
10			NLA - Decal, Invacare Medallion - Large	1	1
11			Locknut (1/4-20)	1	2
12			NLA - Sleeve, Door Pivot	1	2

NOTE: A - Includes items 2-5
 B - Blank Logo Decal is no longer available and no longer required for item number 10 Invacare Medallion Decal.
 C - Includes items 7-12