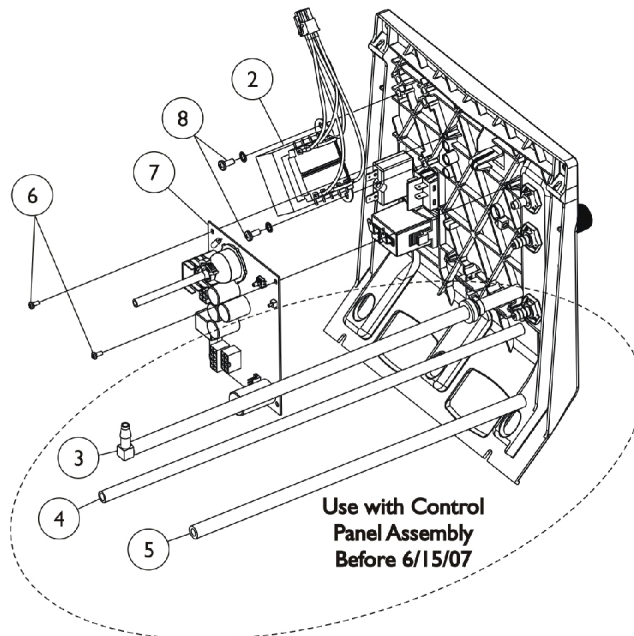
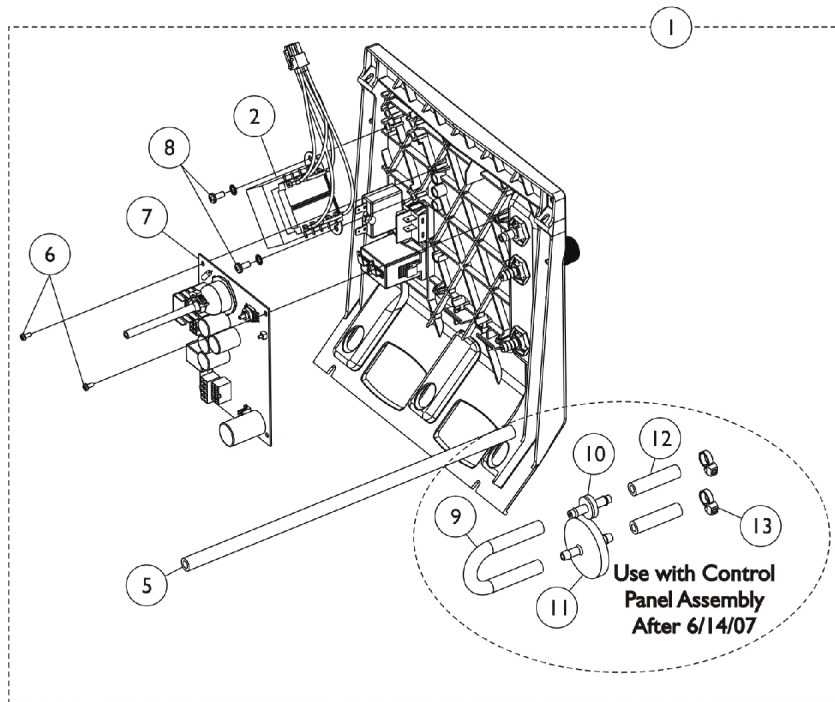


Control Panel - Rear View

Rear View of
Control Panel Shown



Control Panel - Rear View

Item Number	Note	Part Number	Description	Quantity Per	
				Package	Assembly
1	B	1140405	Control Panel Assembly	1	1
2	D	1105385-NLA	NLA - Tech Only - Transformer	1	1
	E	1105391-NLA	NLA - Transformer Kit	1	1
3	A	1110779-NLA	NLA - Tubing Assembly, Check Valve Discharge	1	1
4		1108815-NLA	NLA - Tubing, Silicon (1/4 x 16-1/4")	1	1
5		1108809	Tubing, PVC (1/4 x 12-3/4")	1	1
6		2001902-NLA	NLA - Screw, Phillips Pan Head (#4-40 x 1/4")	1	2
7		1148686	PCB Control Assembly	1	1
8		1102696	Screw, Phillips Pan Head SEMS (#8-32 x 3/8")	1	2
	C	1121280-NLA	NLA - Tech Only - Harness, Wire, 10 Pin NEC	1	1
9		1143144	Tubing, PVC (1/4 x 5")	1	1
10		2000436	Check Valve, Barb (5/16")	1	1
11		P0750X030	Filter, Patient HEPA Outlet	1	1
12		1110473	Tubing, PVC (1/4 x 1-3/4")	1	2
13		2001682	Tie Wrap (8" L)	1	2

NOTE: A - Includes Tubing (2 ea.) Check Valve, Elbow and Tie Wraps.
 B - Includes Control Panel with 1-12 (Front View) and 2-9 (Rear View).
 C - Not Shown.
 D - Individual item no longer available, refer to Transformer Kit Part #1105391 for replacement.
 E - Kit includes Transformer, Nuts and Insulator.