

Invacare® Comet PRO/ ULTRA
Canadian Power Scooter



Yes, you can.

Parts Catalogue Usage Guide

The information contained in this document is subject to change without notice. This catalog contains service parts for Form No. 18-074C. If you have any questions regarding this catalog, please contact one of our Customer Service Representatives.

For Customer Service Support Call:

1-800-668-5324 or 1-905-890-8300

For Faxed In Orders Call:

1-800-668-5478 or

1-905-890-5244

For Technical Service Call:

1-800-668-5324 x2655

For Orders:

canadaorders@invacare.com

Literature: www.invacare.ca or 1-800-668-5324

SYMBOL DEFINITION

Throughout this catalog you will notice letters to draw your attention to specific footnotes which are located at the bottom of the page or below specified charts.

Examples:

A,B,C etc. = Special Comments

NOTE: = General information pertaining to that specific page

NLA = No Longer Available

HARDWARE MEASUREMENTS

The measurements for the hardware will be listed as follows:

Screws, Bolts Diameter X Thread Count/Pitch X Length

Washers Inside Diameter X Outside Diameter X Thickness

Spacers Inside Diameter X Outside Diameter X Length

For your convenience, we have supplied an area for you to list your Invacare Representatives.

Name	Phone Numbers

© 2022 Invacare Corporation. All rights reserved. Reproduction, duplication or modification in whole or in part is prohibited without prior written permission from Invacare. Trademarks are identified by ™ and ®. All trademarks are owned by or licensed to Invacare Corporation or its subsidiaries unless otherwise noted.

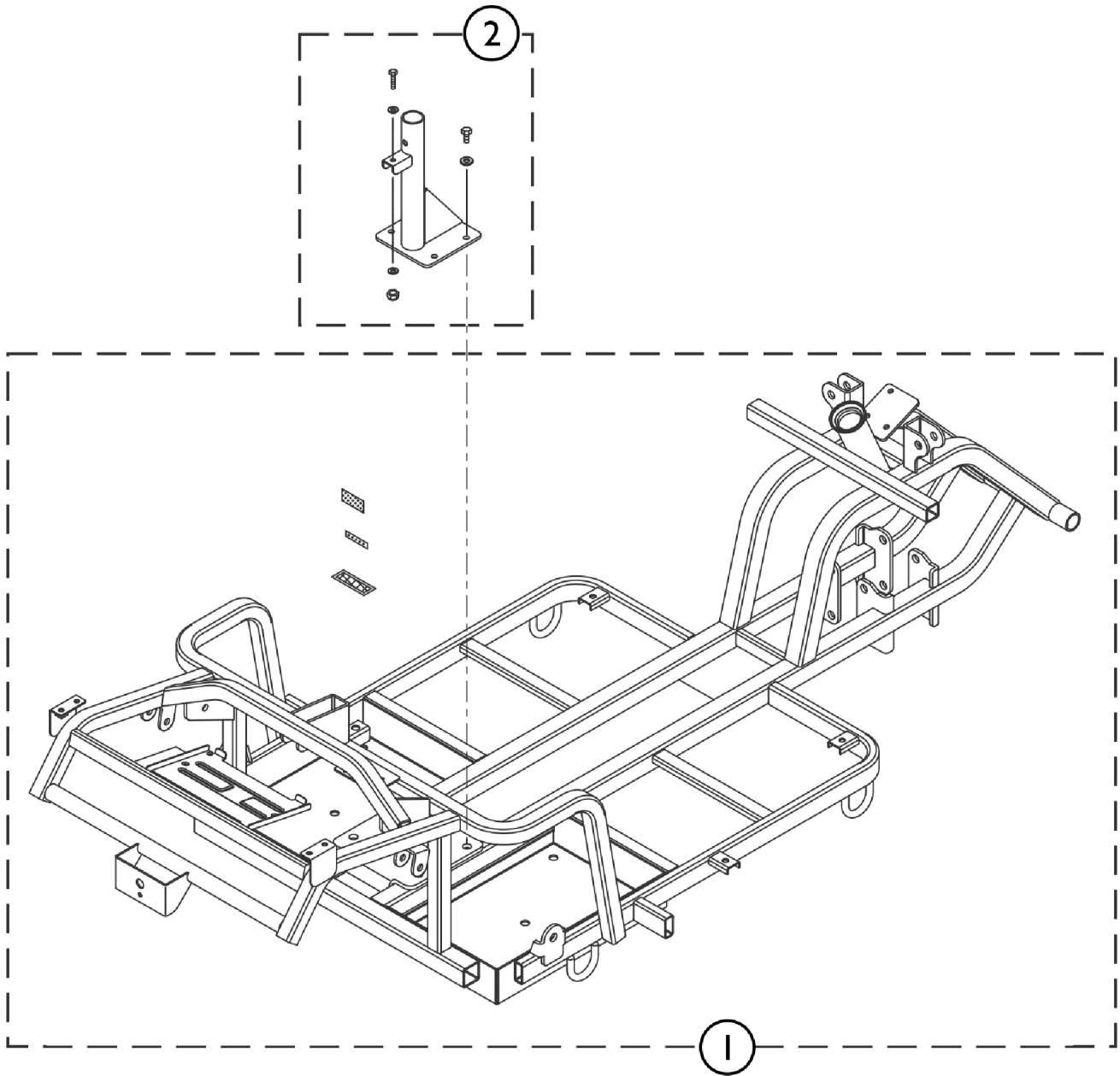
TABLE of CONTENTS

Description	Page Number
Anti-Tipper Wheel	24
Armrests	18
Battery and Cables	35
Battery Charger	37
Brake Assembly	27
Bumpers	42
Colour Panels (6 pieces)	12
Electronic Components	38
Front Frame	4
Front Shroud	6
Light System	14
Motors and Differentials	25
Other Accessories	44
Powerbox and Limit Switch Trigger	40
Rear Shrouds	10
Ring Swing	8
Seat Bracket	17
Seat Post	16
Seats	19
Steering	29
Steering Linkage	33

TABLE of CONTENTS

Description	Page Number
Suspension	31
Wheels - 5" Rim	20
Wheels - 8" Rim	22

Front Frame

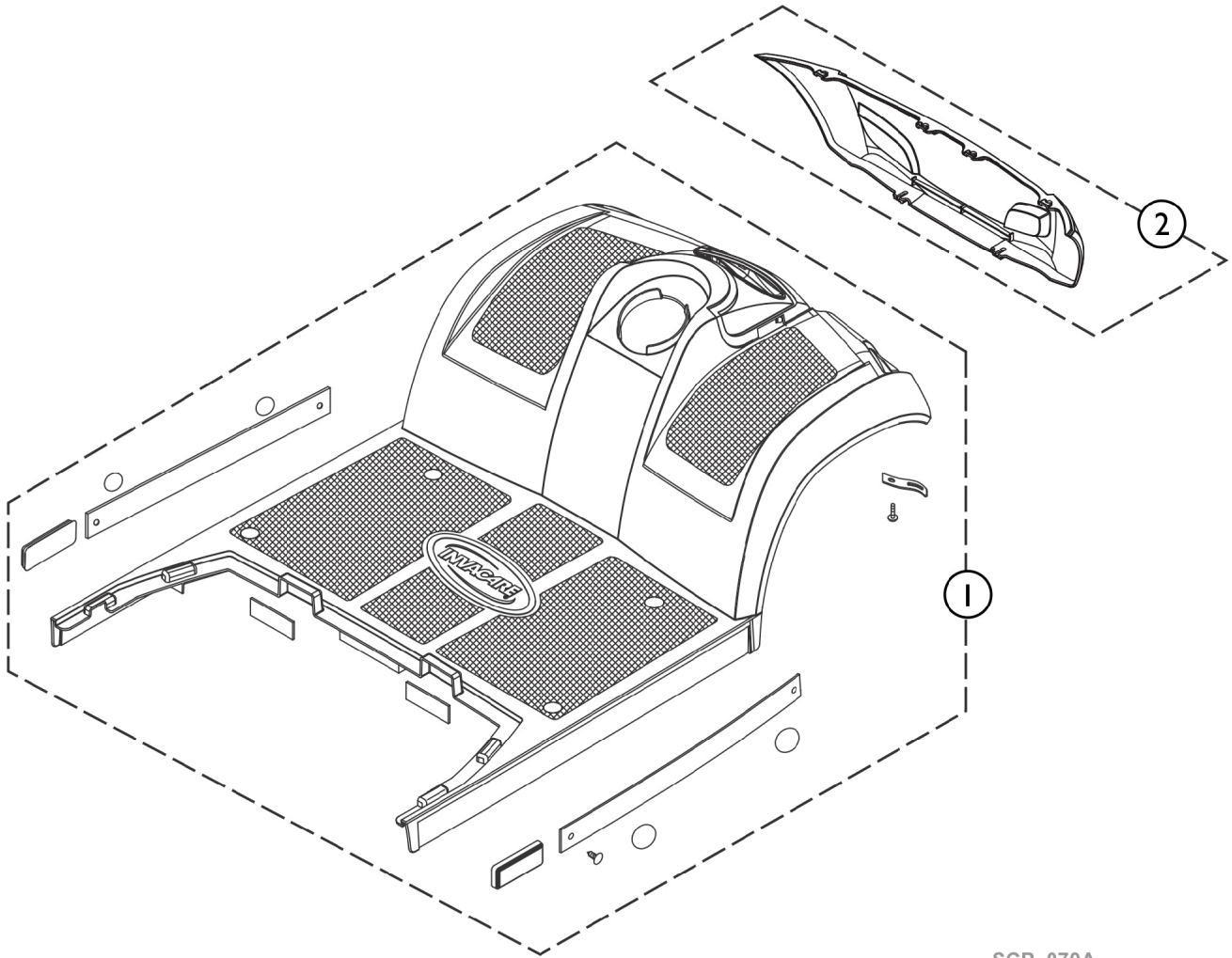


SCP_142A

Front Frame

Item Number	Note	Part Number	Description	Quantity Per	
				Package	Assembly
1		1636815	Front Frame	--	1
2		1636817	Lower Seat Bracket	--	1

Front Shroud

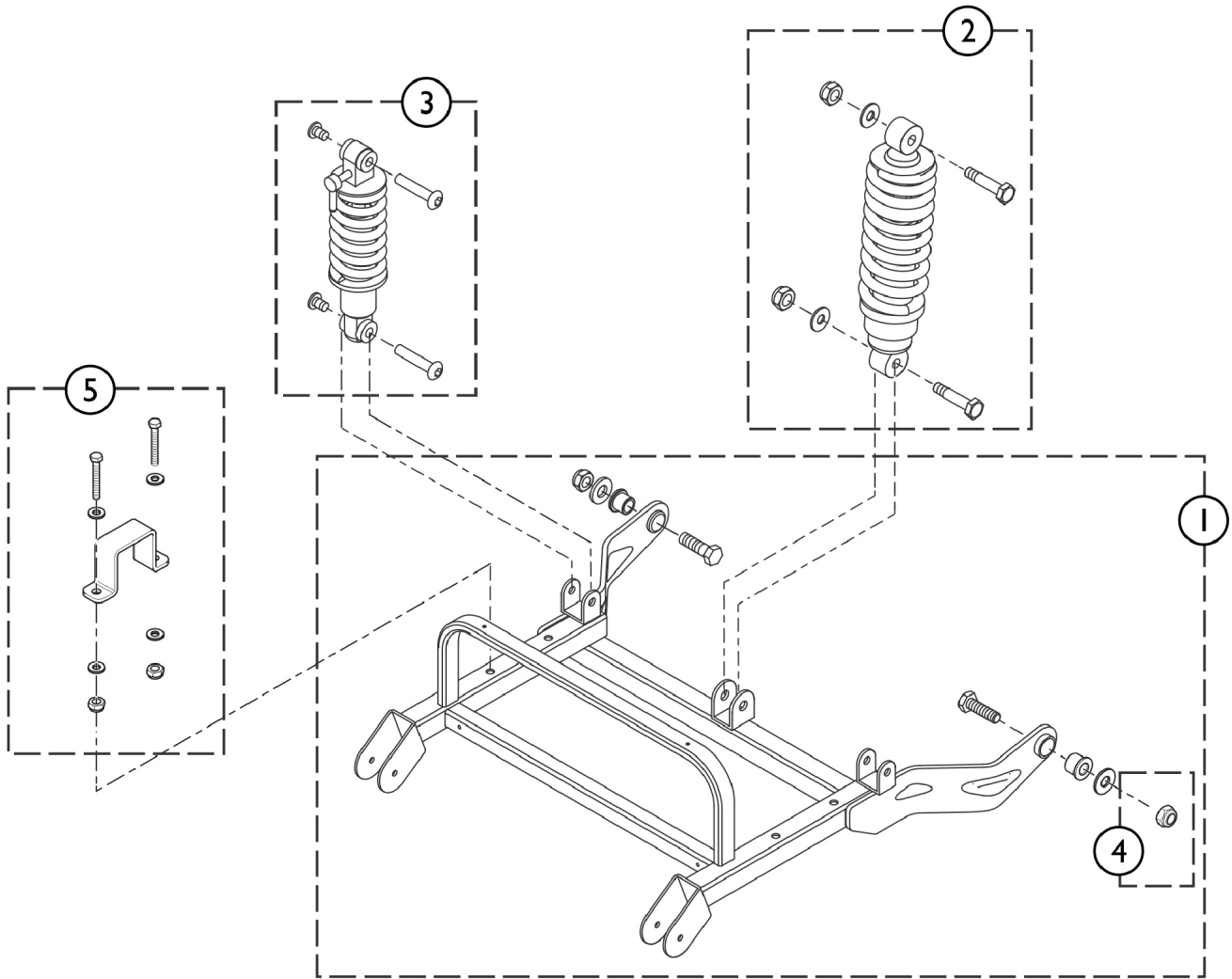


SCP_070A

Front Shroud

Item Number	Note	Part Number	Description	Quantity Per	
				Package	Assembly
1		1636818	Front Shroud	--	1
2		1608232	Cover, Front Bumper	--	1

Ring Swing

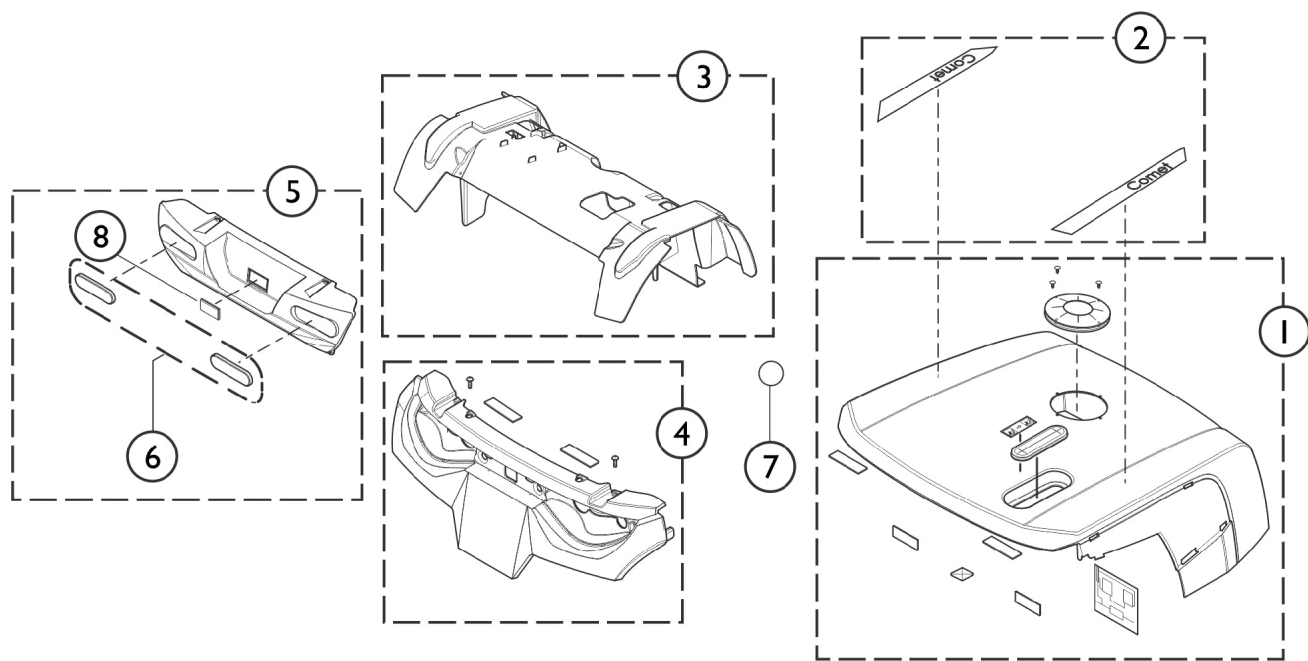


SCP_071A

Ring Swing

Item Number	Note	Part Number	Description	Quantity Per	
				Package	Assembly
1		1636825	Rear Swing Arm Complete	--	1
2		1636826	Shock Absorber, Central, Complete	--	1
3		1636838	Shock Absorber, Sideways, Complete	--	1
4		1505589	Nylon Nut	--	1
5		1636837	Holder, Differential, Complete	--	1

Rear Shrouds

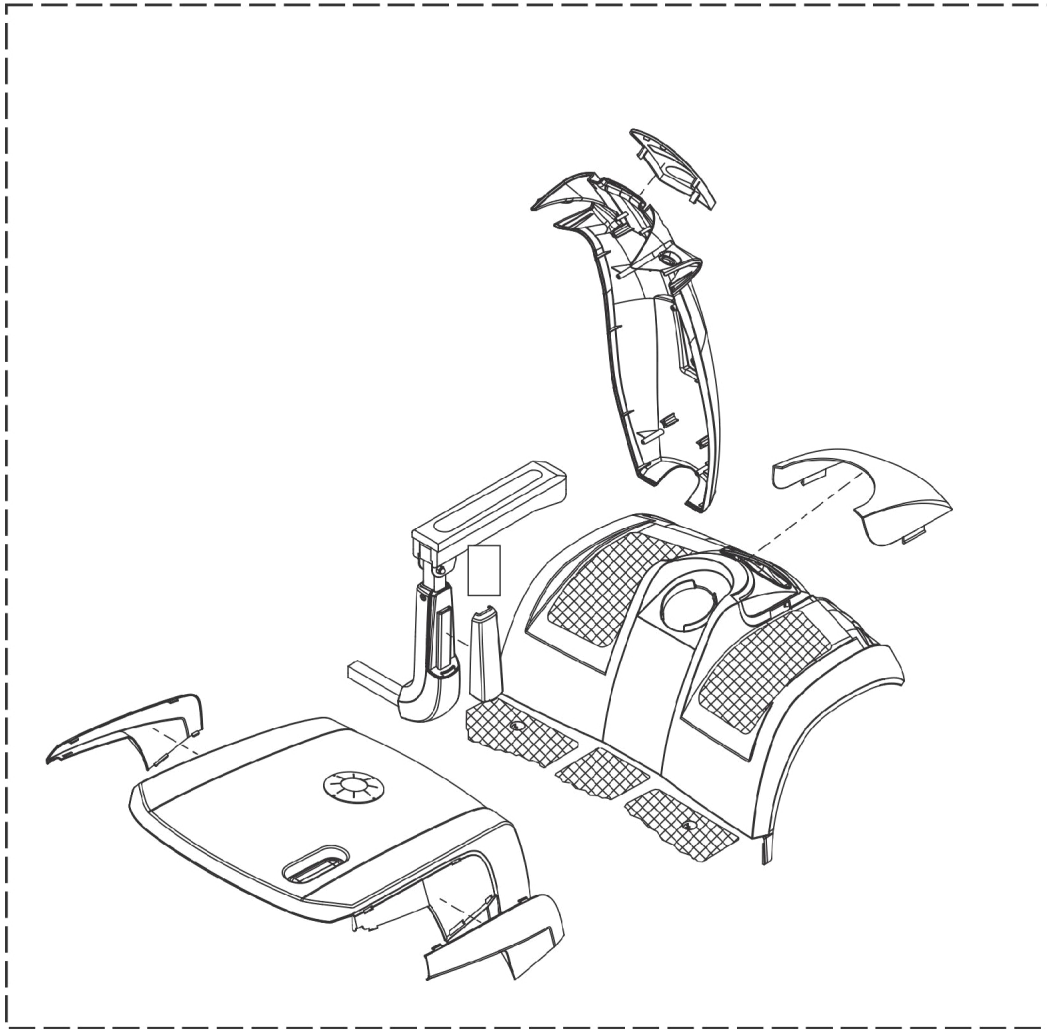


SCP_072A

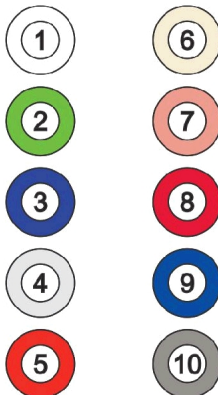
Rear Shrouds

Item Number	Note	Part Number	Description	Quantity Per	
				Package	Assembly
1		1608258	Rear Shroud (w/o model labels)	--	1
2		1608259	Label Set - Pro	--	1
2		1637462	Label Set - Ultra	--	1
3		1608261	Rear Fender	--	1
4		1636839	Cover, Rear Bumper (Upper Part)	--	1
5		1608260	Cover, Rear Bumper (Lower Part)	--	1
6		1518036	Reflector, Rear, E-Mark	--	1
7		1608262	Indication Stickers, Shock Absorber (Ultra only)	--	1
8		1521879	Plug, Bumper Rear	--	1

Colour Panels (6 pieces)



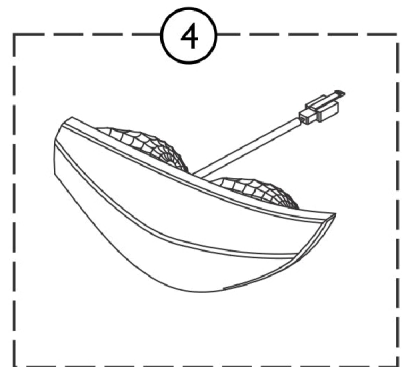
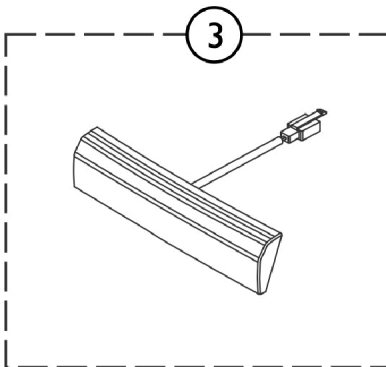
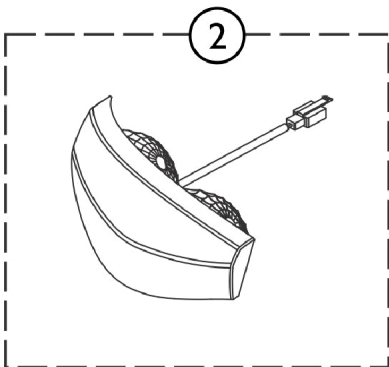
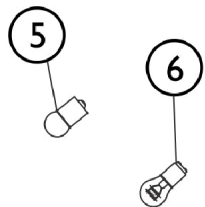
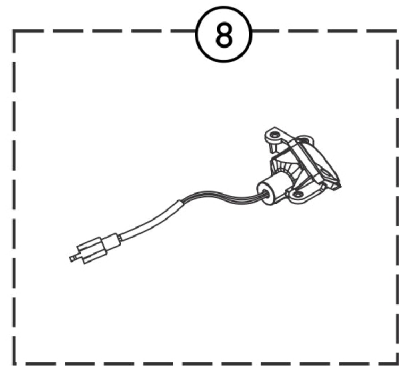
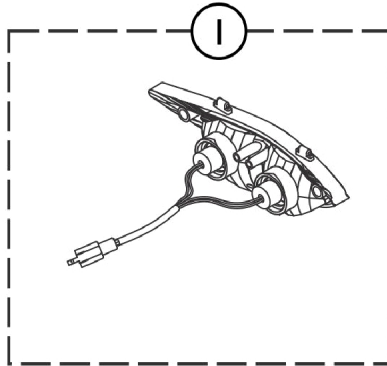
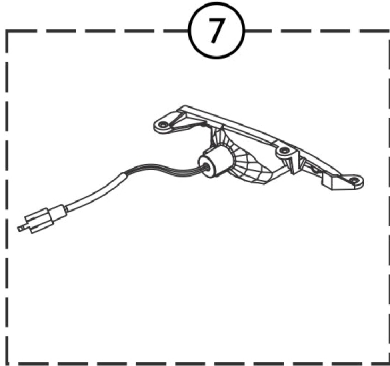
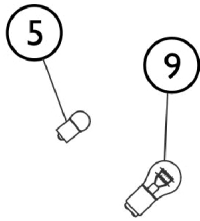
SCP_073A



Colour Panels (6 pieces)

Item Number	Note	Part Number	Description	Quantity Per	
				Package	Assembly
1		1608821	Colour panels - Marble White (Classic Line)	--	1
2		1608822	Colour panels - Jade Green (Classic Line)	--	1
3		1608823	Colour panels - Sapphire Blue (Classic Line)	--	1
4		1608831	Colour panels - Diamond Silver (Classic Line)	--	1
5		1608832	Colour panels - Jasper Red (Classic Line)	--	1
6		1637415	Colour panels - Luxor Beige (Premium Line)	--	1
7		1637416	Colour panels - Crystal Copper (Premium Line)	--	1
8		1637417	Colour panels - Carmine Red (Premium Line)	--	1
9		1637418	Colour panels - Electric Blue (Premium Line)	--	1
10		1637419	Colour panels - Ionic Chrome (Premium Line)	--	1

Light System

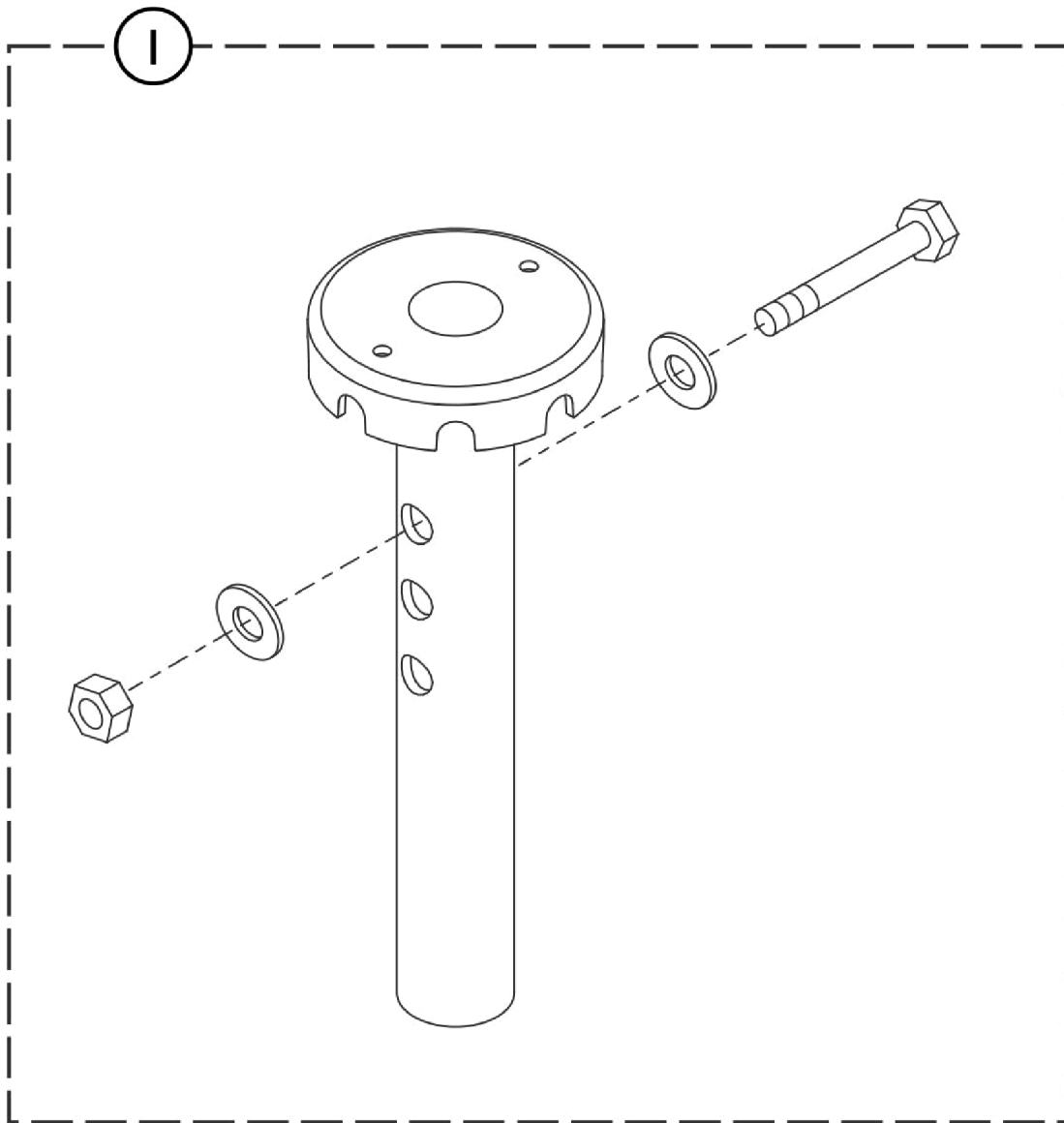


SCP_074A

Light System

Item Number	Note	Part Number	Description	Quantity Per	
				Package	Assembly
1		1527473	Head Light, Complete	--	1
2		1518034	Rear Light incl. Turn Signal - LH	--	1
3		1518035	Brake Light, cpl.	--	1
4		1518033	Rear Light incl. Turn Signal - RH	--	1
5		1522030	Bulb, Turn Signal (24V/10 W)	--	1
6		1522034	Bulb, Rear Light (24V/5W)	--	1
7		1517733	Turn Signal - Left	--	1
8		1517734	Turn Signal - Right	--	1
9		1527474	Bulb, Head Light (12V/15W)	--	1

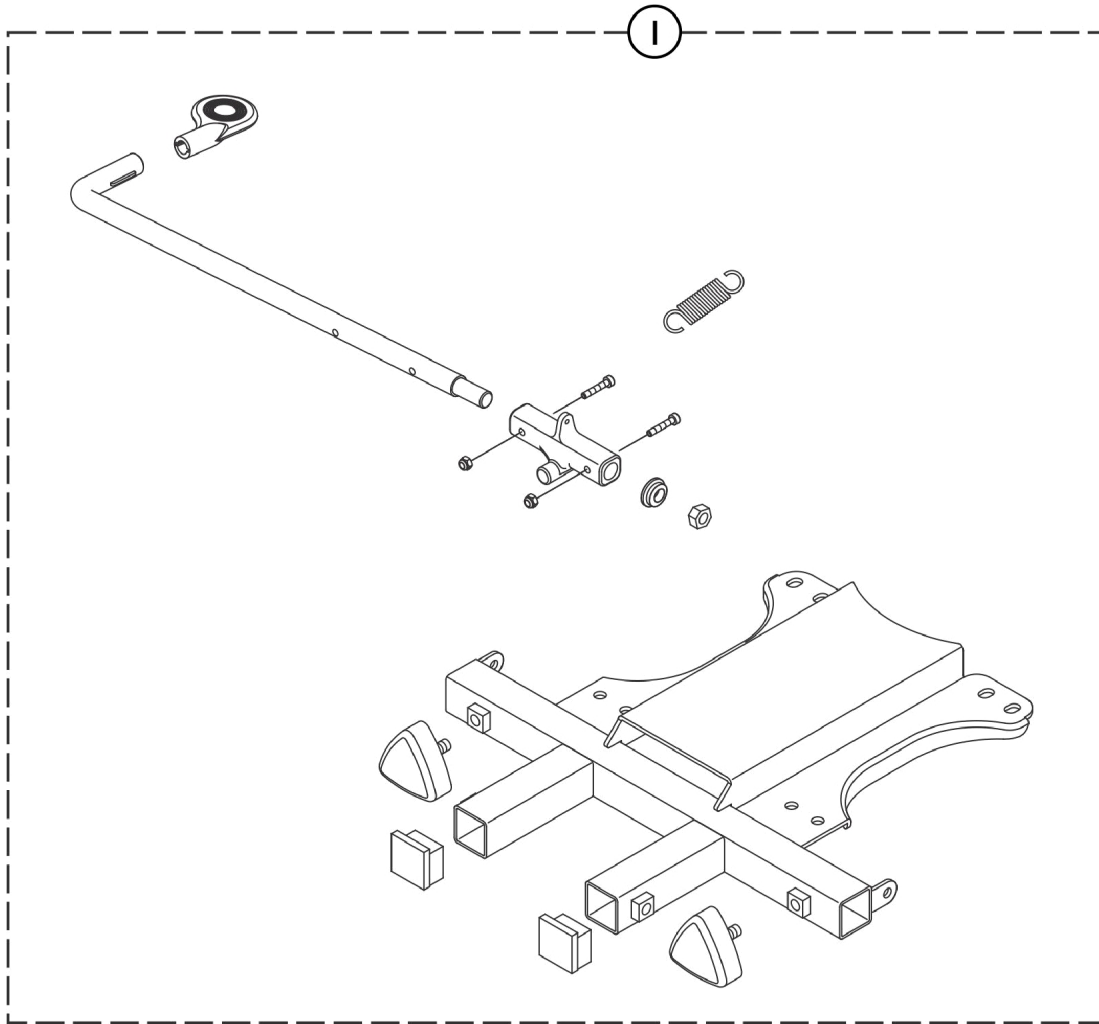
Seat Post



SCP_075A

Item Number	Note	Part Number	Description	Quantity Per	
				Package	Assembly
1		1521691	Seat Post Bracket, Standard	--	1

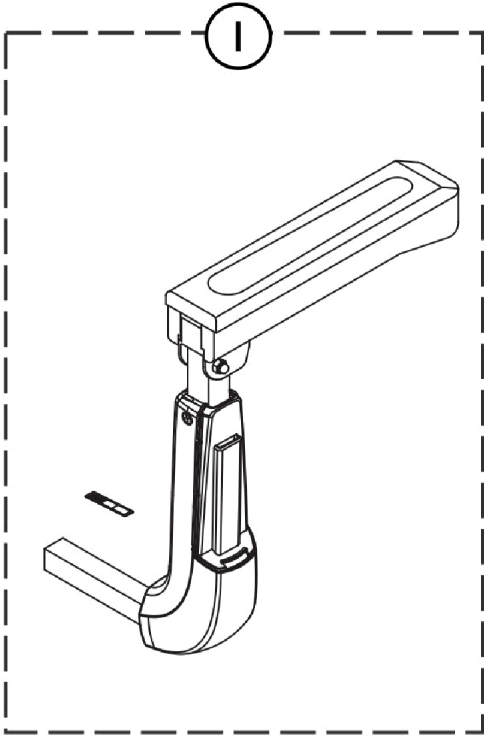
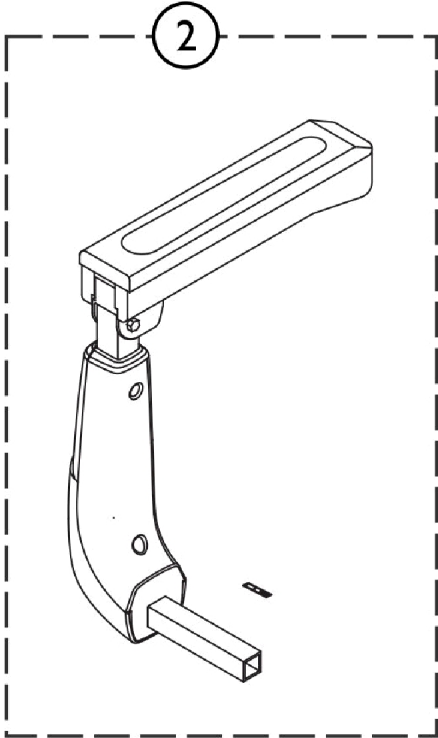
Seat Bracket



SCP_076A

Item Number	Note	Part Number	Description	Quantity Per	
				Package	Assembly
1		1636855	Seat Bracket Assembly, cpl.	--	1

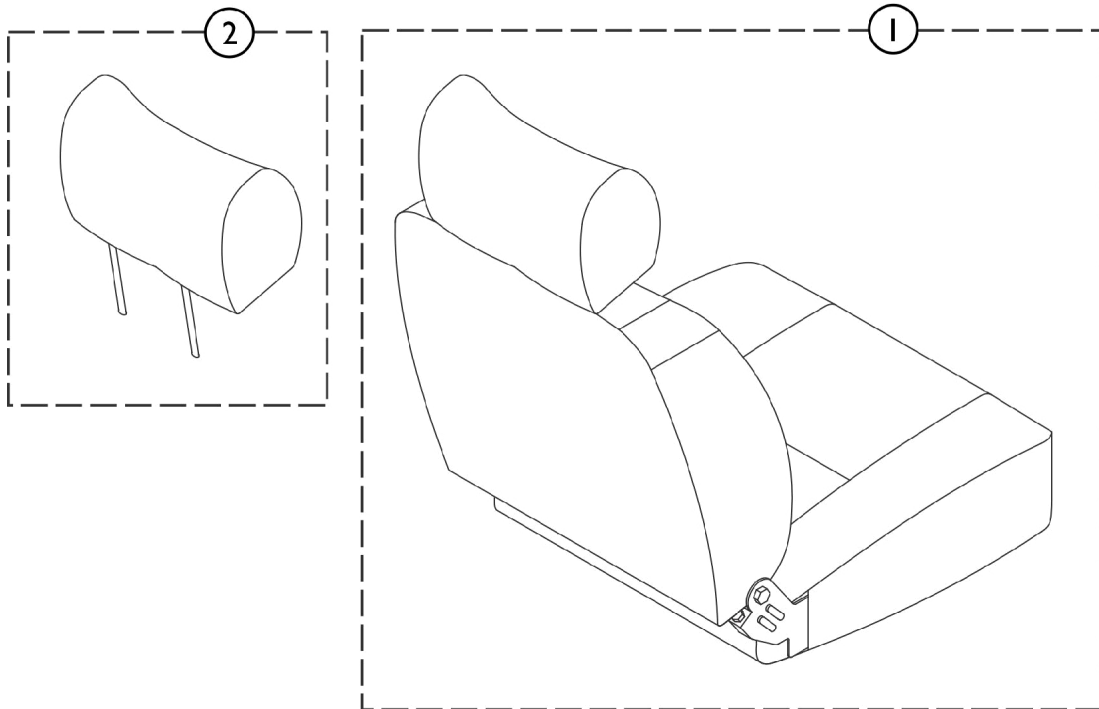
Armrests



SCP_077A

Item Number	Note	Part Number	Description	Quantity Per	
				Package	Assembly
1		1636857	Handrail - RH	--	1
2		1636858	Handrail - LH	--	1

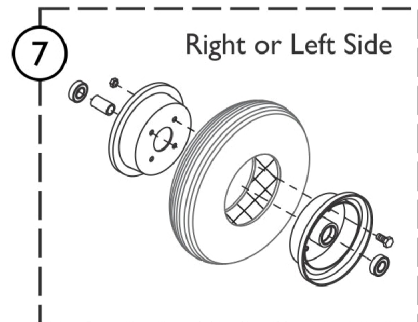
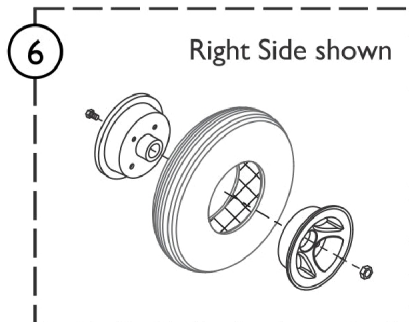
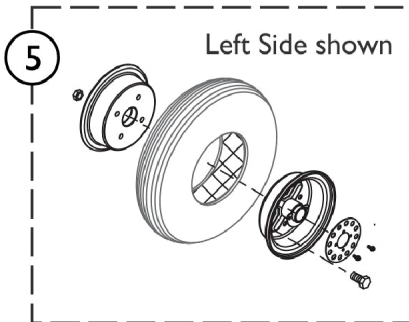
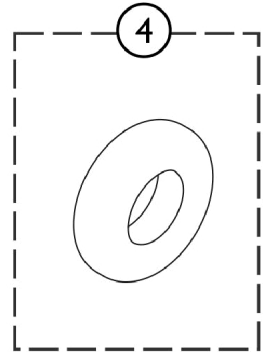
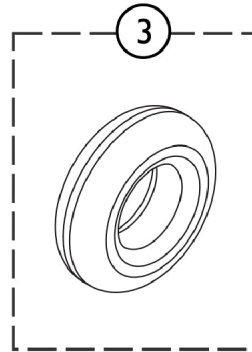
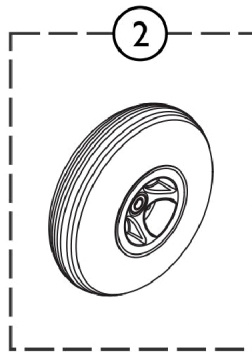
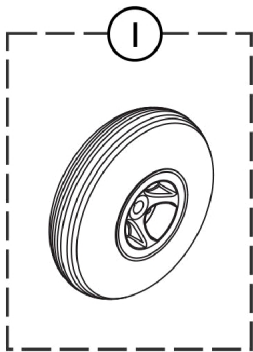
Seats



SCP_078A

Item Number	Note	Part Number	Description	Quantity Per	
				Package	Assembly
1		1586116	Seat, Standard (20") w/ Double White Stitching	--	1
1		1586115	Seat, HD (26"), Double White Stitching	--	1
2		1529380	Headrest Standard,Seat	--	1
2		1602195	Headrest HD Seat	--	1

Wheels - 5" Rim

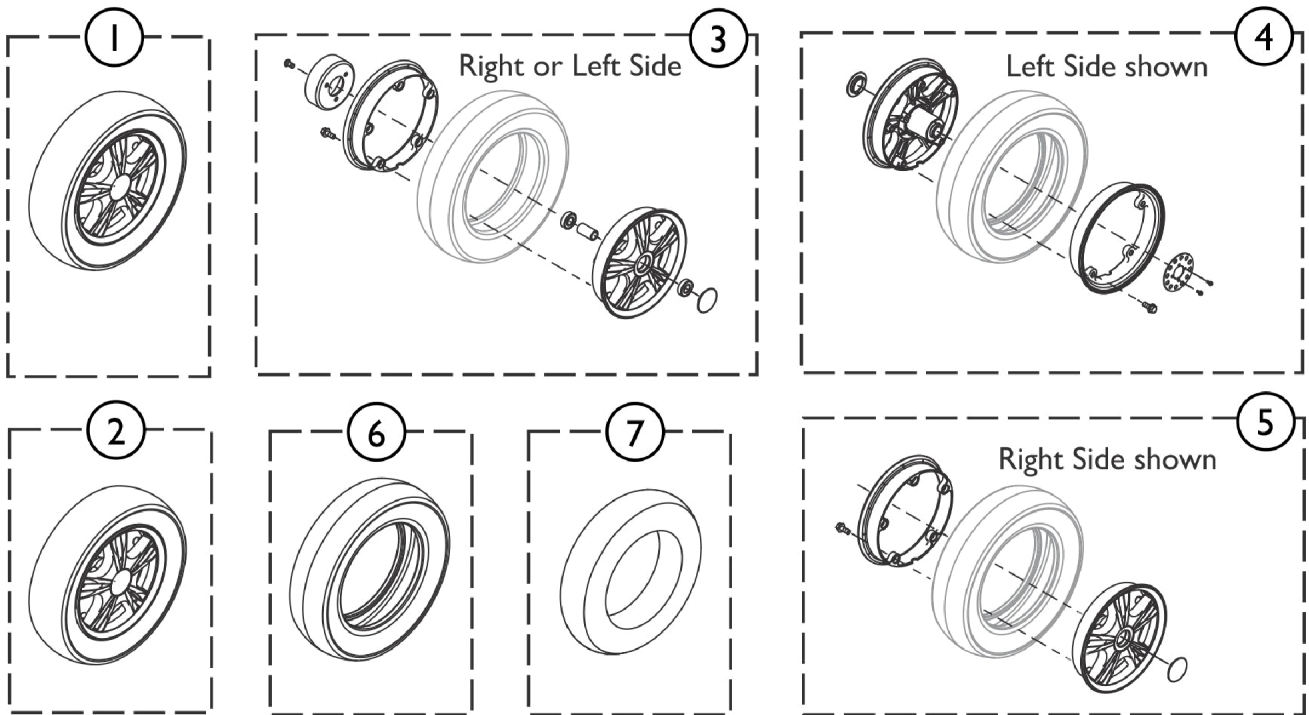


SCP_079A

Wheels - 5" Rim

Item Number	Note	Part Number	Description	Quantity Per	
				Package	Assembly
1		1608676	Rear Wheel 13", pneumatic, 5" rim, LH	--	1
1		1637429	Rear Wheel 13", pneumatic, 5" rim, RH	--	1
1		1608775-NLA	NLA - Rear Wheel 13", puncture proof, 5" rim, LH	--	1
1		1637431-NLA	NLA - Rear Wheel 13", puncture proof, 5" rim, RH	--	1
2		1608594	Front Wheel 13", pneumatic, 5" rim	--	1
2		1608696-NLA	NLA - Front Wheel 13", puncture proof, 5" rim	--	1
3		1640471	Tire 13" (4.00-5) - black	--	1
3		1586119	Tire, Solid PU (13") - Black	--	1
4		1527714	Tube (13")	--	1
5		1638864	5" Rim Kit, Rear Pro LH	--	1
6		1638838	5" Rim Kit, Rear Metro LH/RH & Pro RH	--	1
7		1638837	Front rim 5" - Comet	--	1

Wheels - 8" Rim

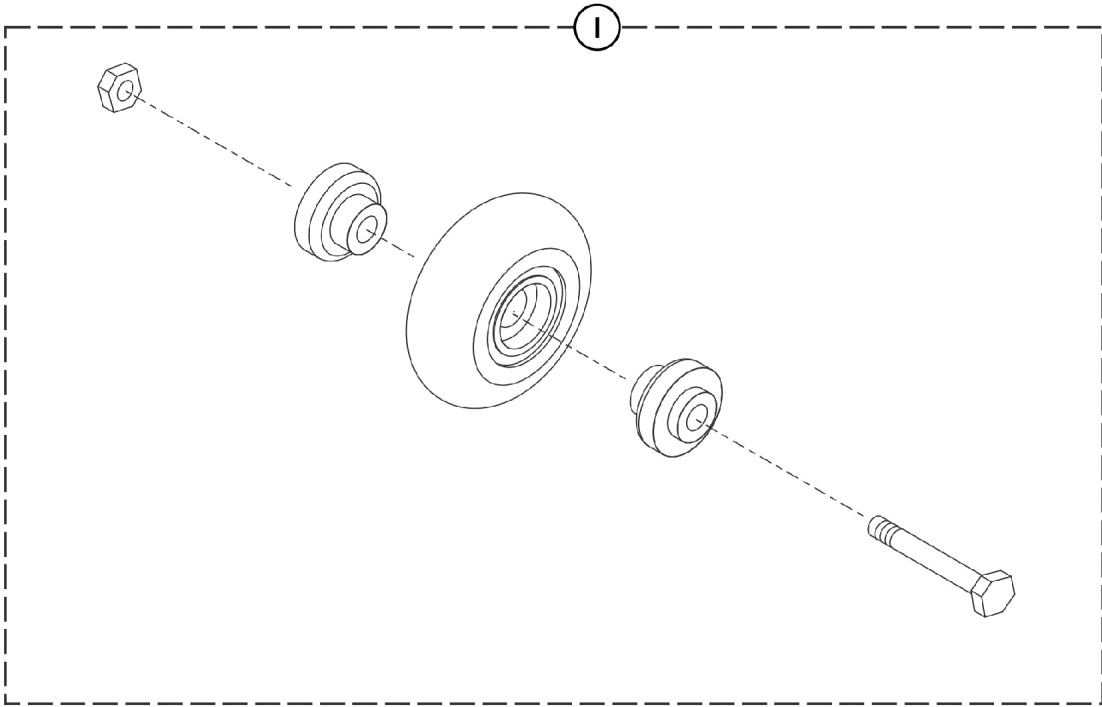


SCP_080A

Wheels - 8" Rim

Item Number	Note	Part Number	Description	Quantity Per	
				Package	Assembly
1		1608797	Front Wheel 13", pneumatic, Low Profile, 8" rim	--	1
2		1608819	Rear Wheel 13", pneumatic, Low Profile, 8" rim, LH	--	1
2		1637433	Rear Wheel 13", pneumatic, Low Profile, 8" rim, RH	--	1
3		1638855	Front rim 8"	--	1
4		1638842	Rear rim 8" LH	--	1
5		1638856	Rear rim 8" RH	--	1
6		1638843	Tire 13" for 8" rim	--	1
7		1638979	Tube 13" for 8" rim	--	1

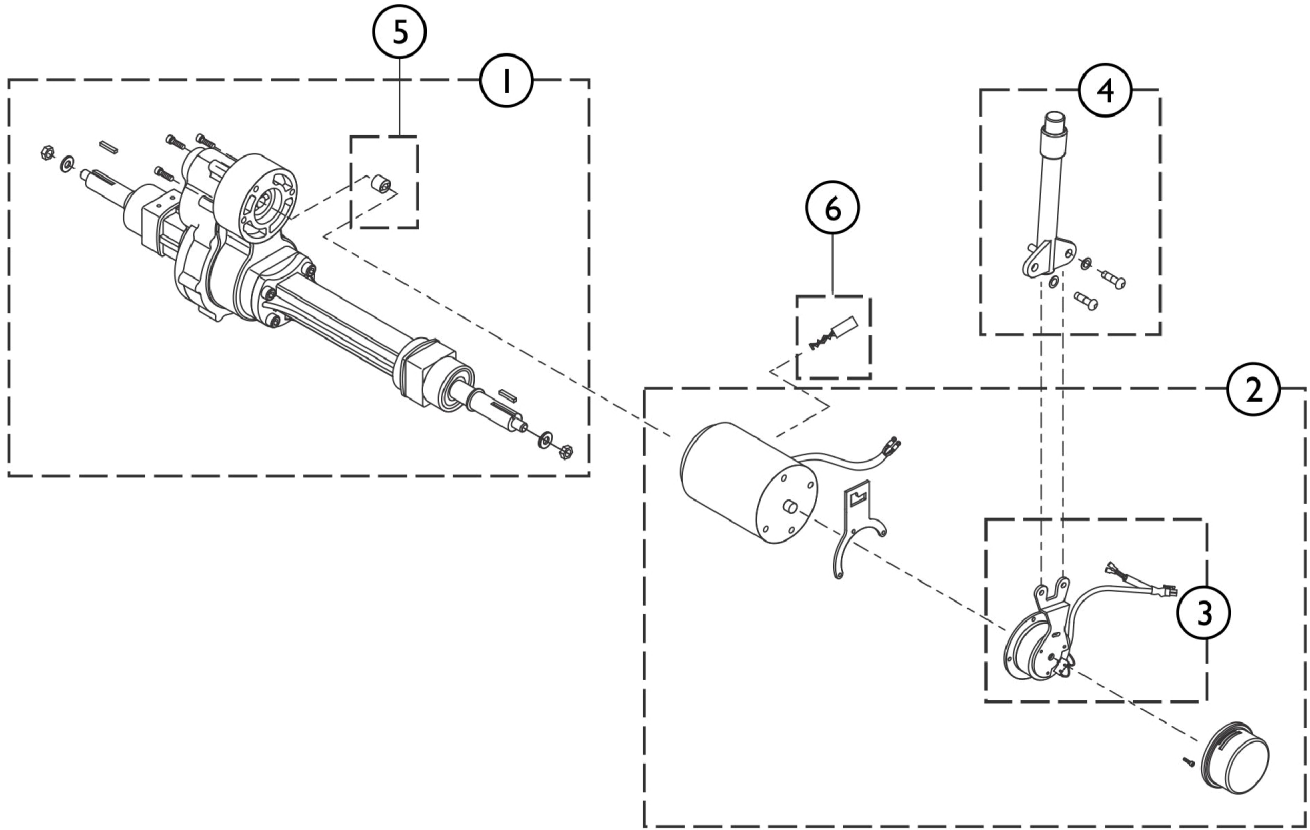
Anti-Tipper Wheel



SCP_081A

Item Number	Note	Part Number	Description	Quantity Per	
				Package	Assembly
1		1522021	Wheel, Anti-Tipper	--	1

Motors and Differentials

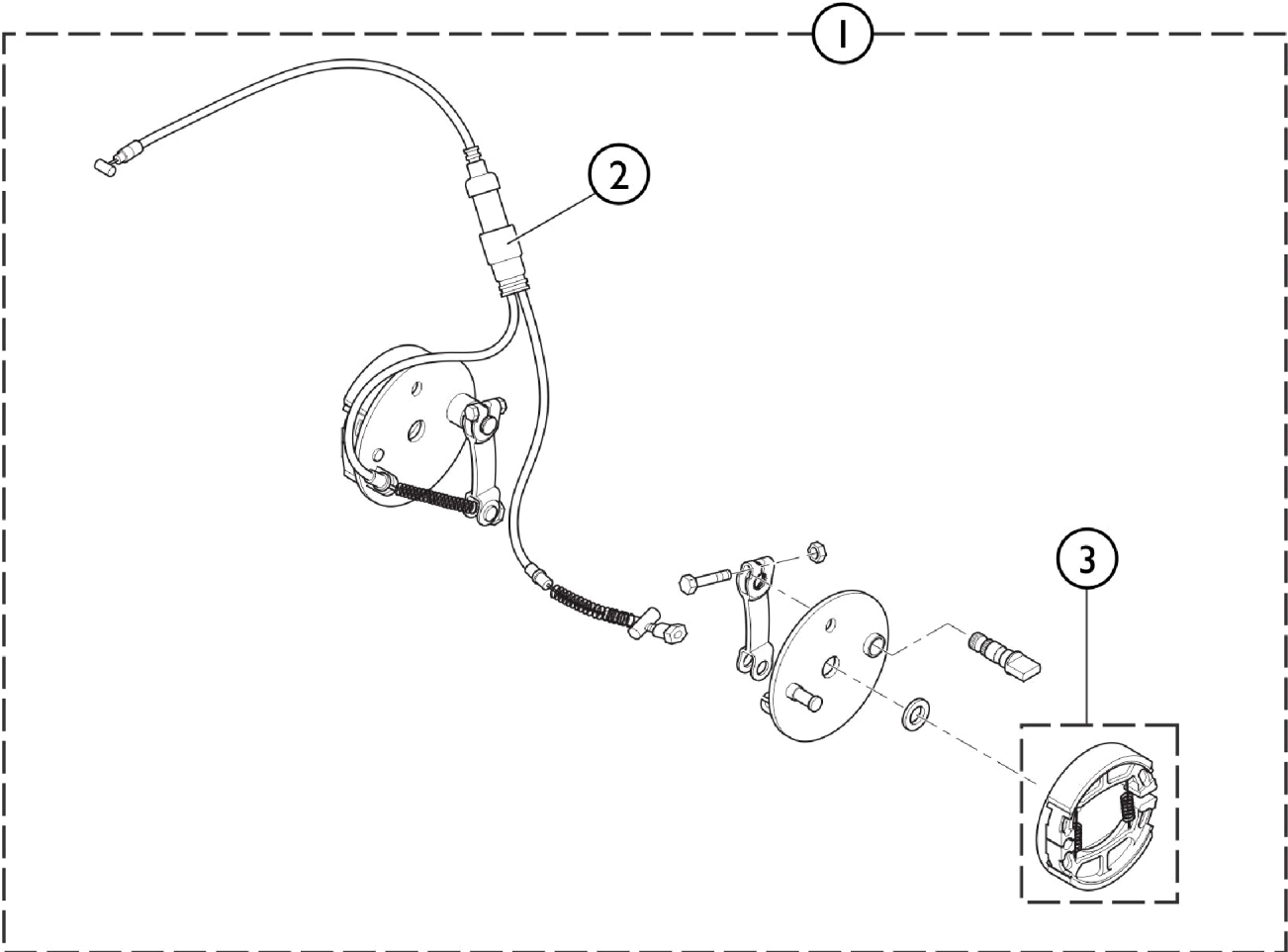


SCP_082A

Motors and Differentials

Item Number	Note	Part Number	Description	Quantity Per	
				Package	Assembly
1	A	1638833	Differential 12 km/h	--	1
1		1636894	Differential - Ultra	--	1
2		1608266	Motor 15 km/h - Pro	--	1
2		1636875	Motor 10 km/h - Ultra	--	1
3		1636891	Clutch & Brake 15 km/h (Pro)	--	1
3		1636892	Clutch & Brake 10 km/h (Ultra)	--	1
4		1505672	Disclutching Lever 113.2 mm	--	1
5		1571584	Guide	--	1
6		1636877	Carbon brush 15 km/h (Pro)	--	1
6		1636878	Carbon brush 10 km/h (Ultra)	--	1
NOTE: A - Used for Pro model					

Brake Assembly

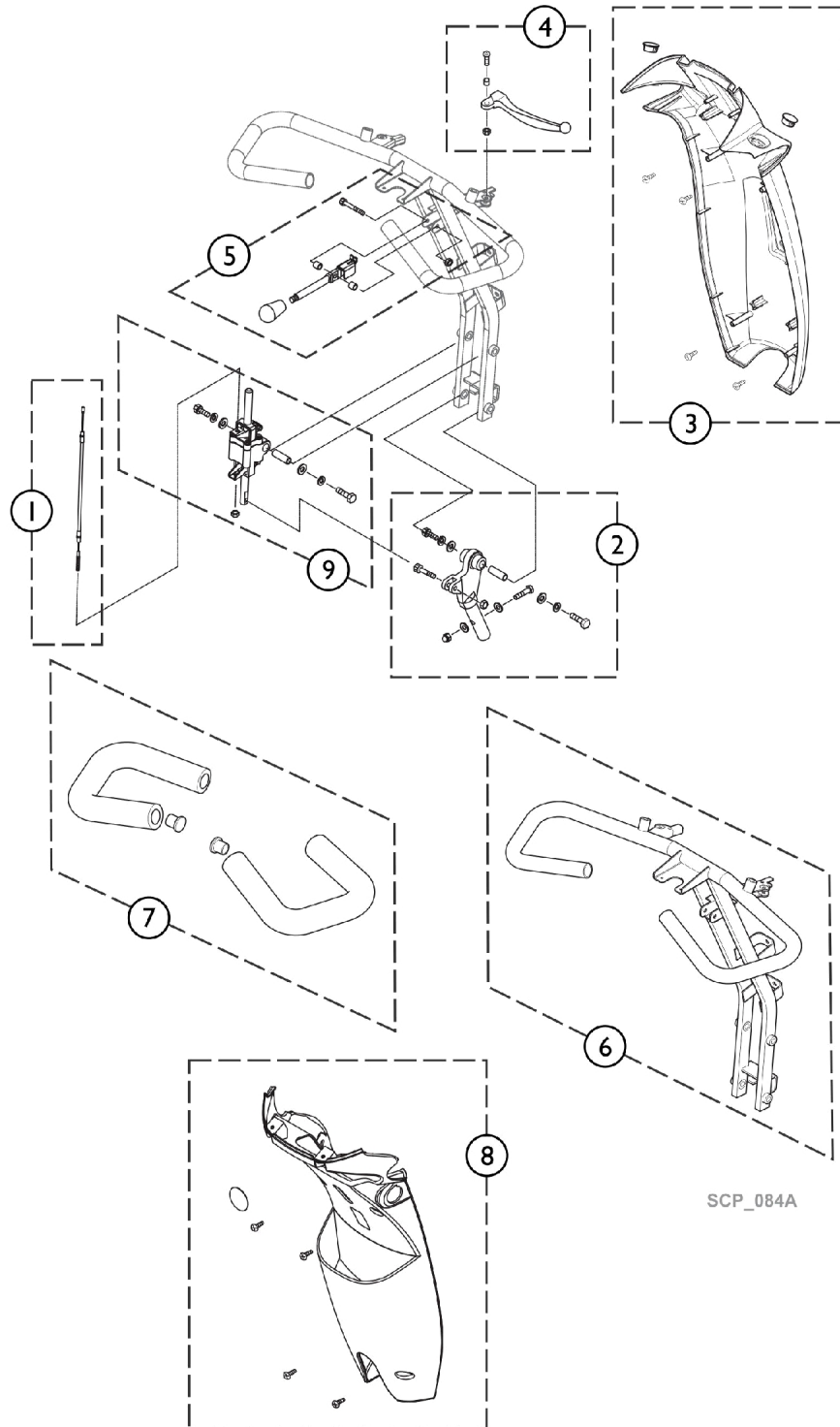


SCP_083A

Brake Assembly

Item Number	Note	Part Number	Description	Quantity Per	
				Package	Assembly
1		1636873	Brake Assembly	--	1
2		1608231	Brake Cable	--	1
3		1518418	Brake Shoes, cpl. (95mm)	--	1

Steering

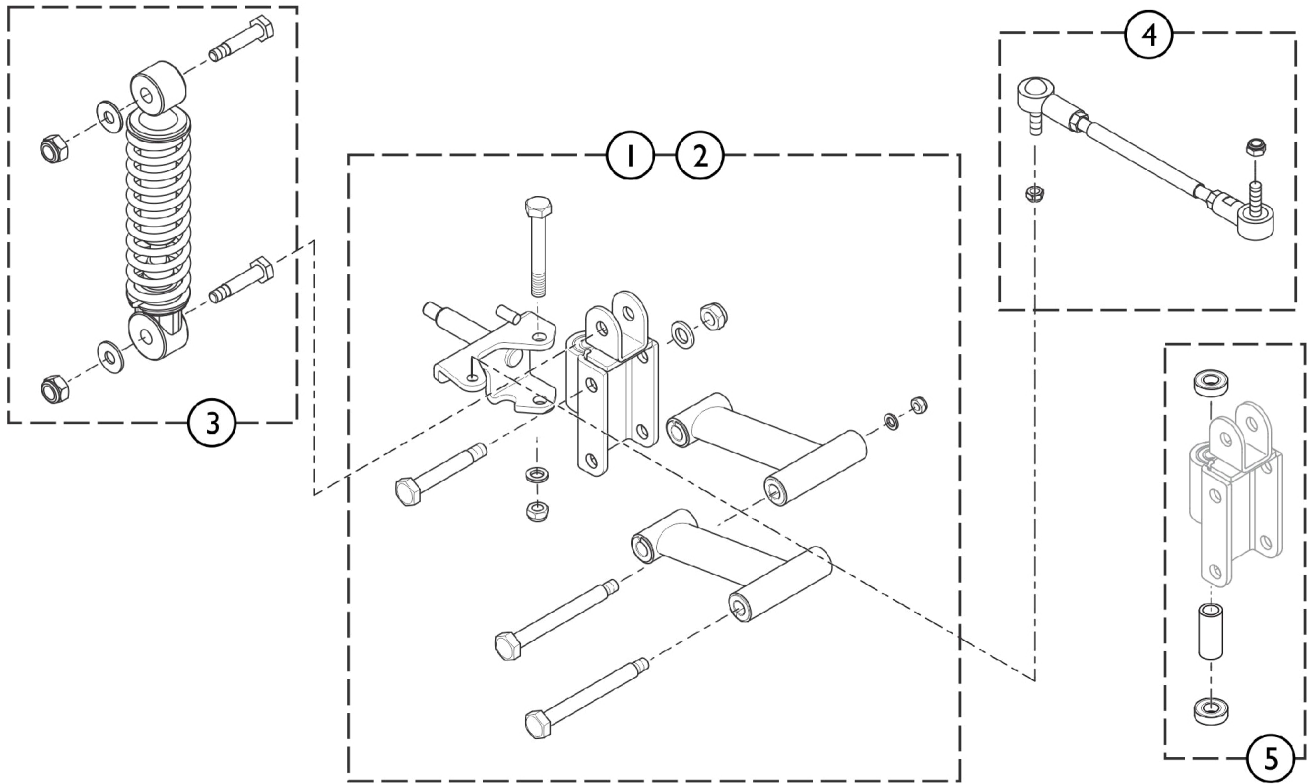


SCP_084A

Steering

Item Number	Note	Part Number	Description	Quantity Per	
				Package	Assembly
1		1608201	Cable, steering adj.	--	1
2		1636812	Joint, steering adjustment, cpl.	--	1
3		1608205	Front steering cover	--	1
4		1636804	Lever, Brake - RH	--	1
5		1636813	Lever, steering adjustment	--	1
6		1608184	Steering	--	1
7		1636767	Grip, Handle Bar, cpl.	--	1
8		1636814	Rear steering cover	--	1
9		1608202	Steering adjustment Assembly, cpl.	--	1

Suspension

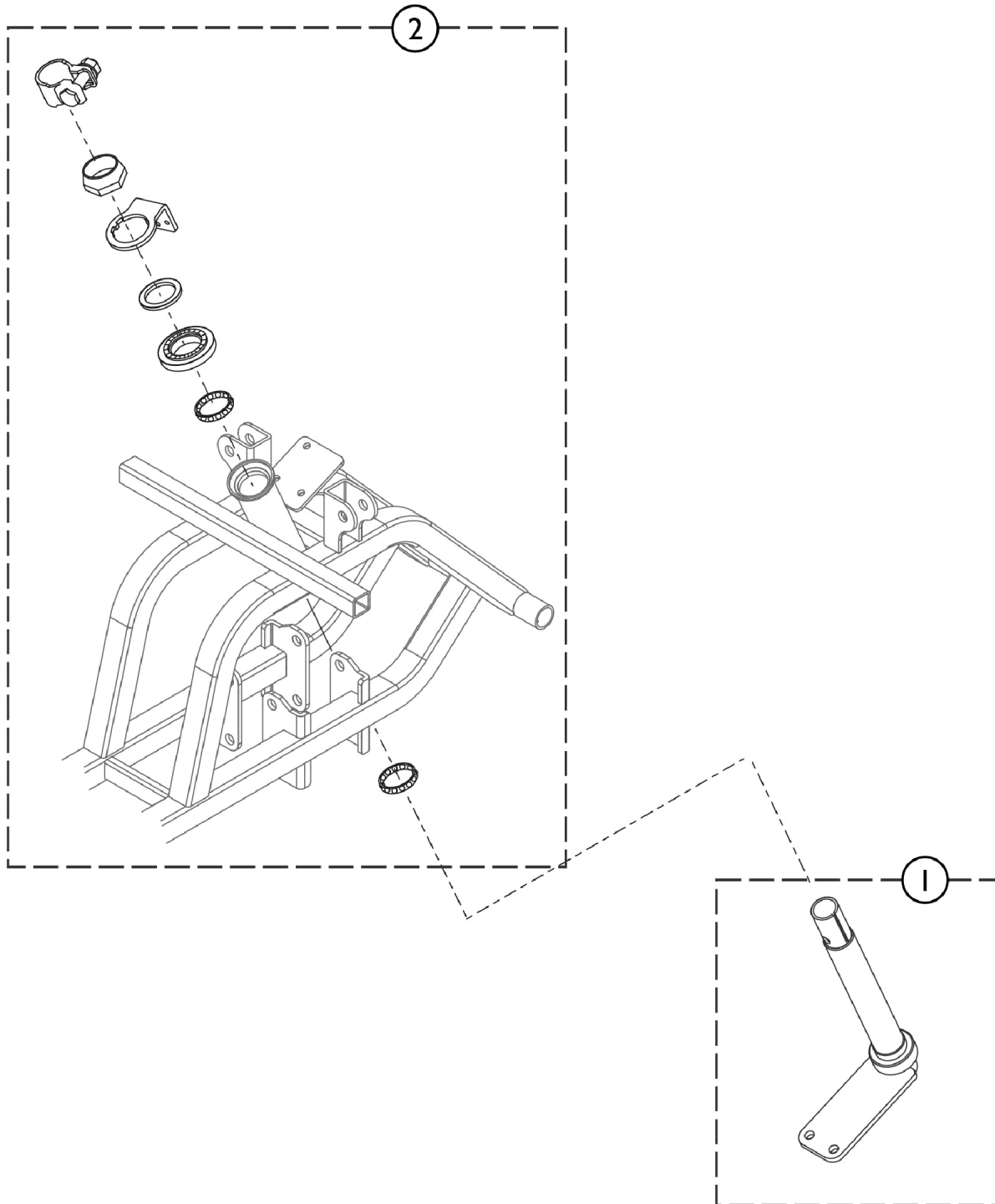


SCP_085A

Suspension

Item Number	Note	Part Number	Description	Quantity Per	
				Package	Assembly
1		1636860	Suspension - LH	--	1
2		1636862	Suspension - RH	--	1
3		1636864	Front suspension, cpl.	--	1
4		1636872	Rod Assembly, cpl.	--	1
5		1636859	Bearing Kit	--	1

Steering Linkage

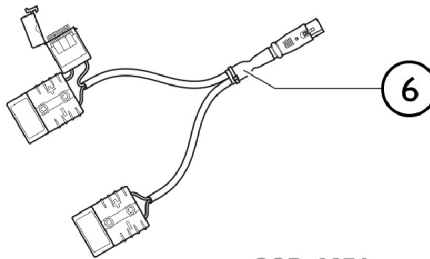
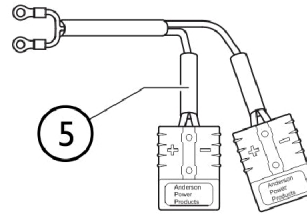
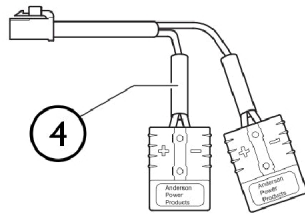
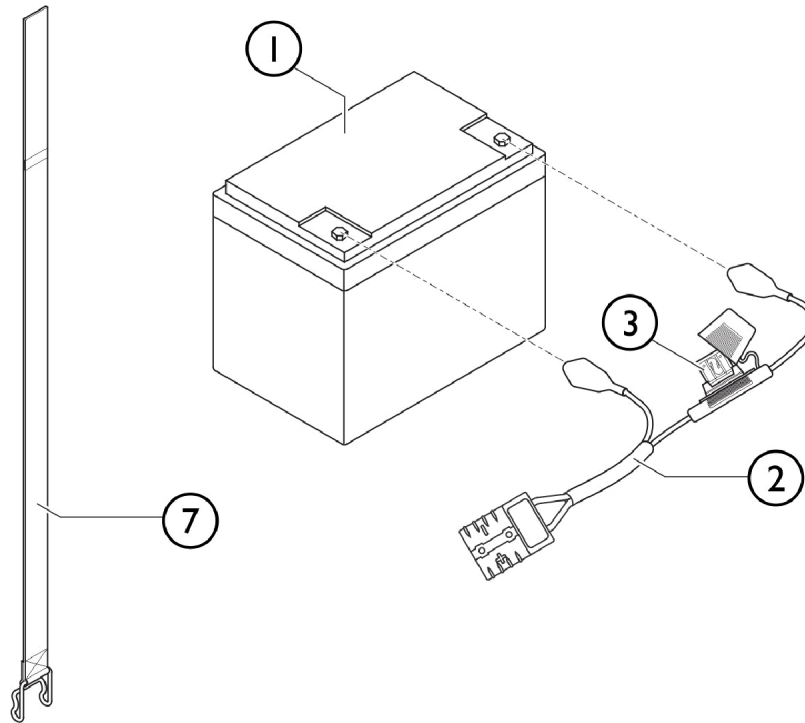


SCP_086A

Steering Linkage

Item Number	Note	Part Number	Description	Quantity Per	
				Package	Assembly
1		1608211	Steering bar assembly	--	1
2		1636816	Bearing Kit	--	1

Battery and Cables



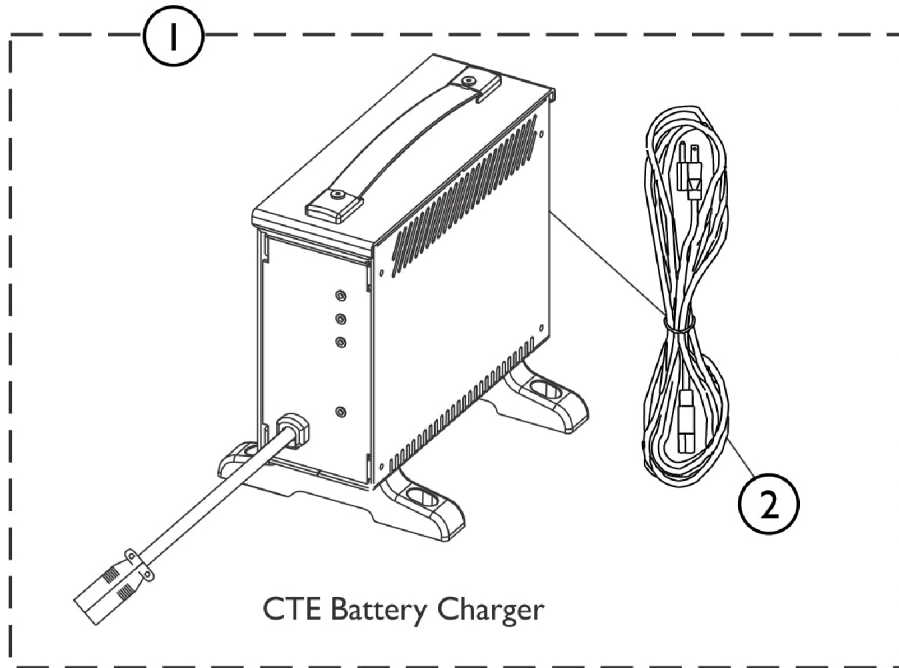
SCP_087A

Battery and Cables

Item Number	Note	Part Number	Description	Quantity Per	
				Package	Assembly
2		1636819	Fuse battery cable (70A) PRO	--	1
2		1636822	Fuse battery cable (100A) ULTRA	--	1
3		1636823	Fuse 70A	--	1
3		1636824	Fuse 100A	--	1
4		1608209	Wire, Battery Output PRO	--	1
5		1608210	Wire, Battery Output ULTRA	--	1
6		SP1521644	Off Board Charging Cable	--	1
7		1521758	Battery Strap cpl.	--	1

For Item #1 12V/75Ah Battery see Scooter Price List. Scooters use (2) Batteries.

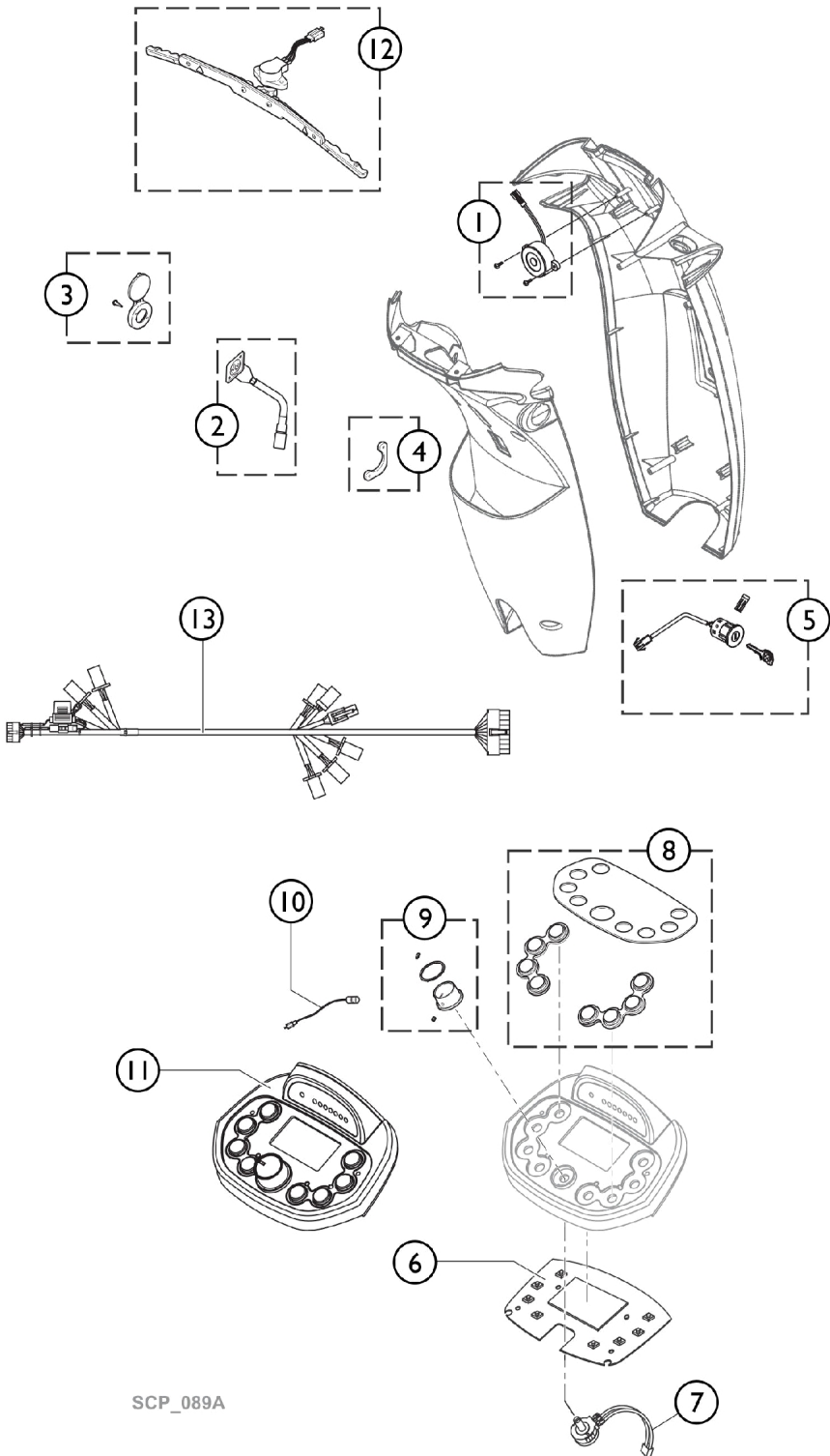
Battery Charger



SCP_088A

Item Number	Note	Part Number	Description	Quantity Per	
				Package	Assembly
1		1123249	Charger, Battery, 8 Amp. 115vac (Off Board) Single Mode Round Plug w/ AC Power Line Cord	--	1
2		1121086	Cord, AC Power, 115VAC, 3 Prong On-Board (6' 6-1/2" L)	--	1

Electronic Components



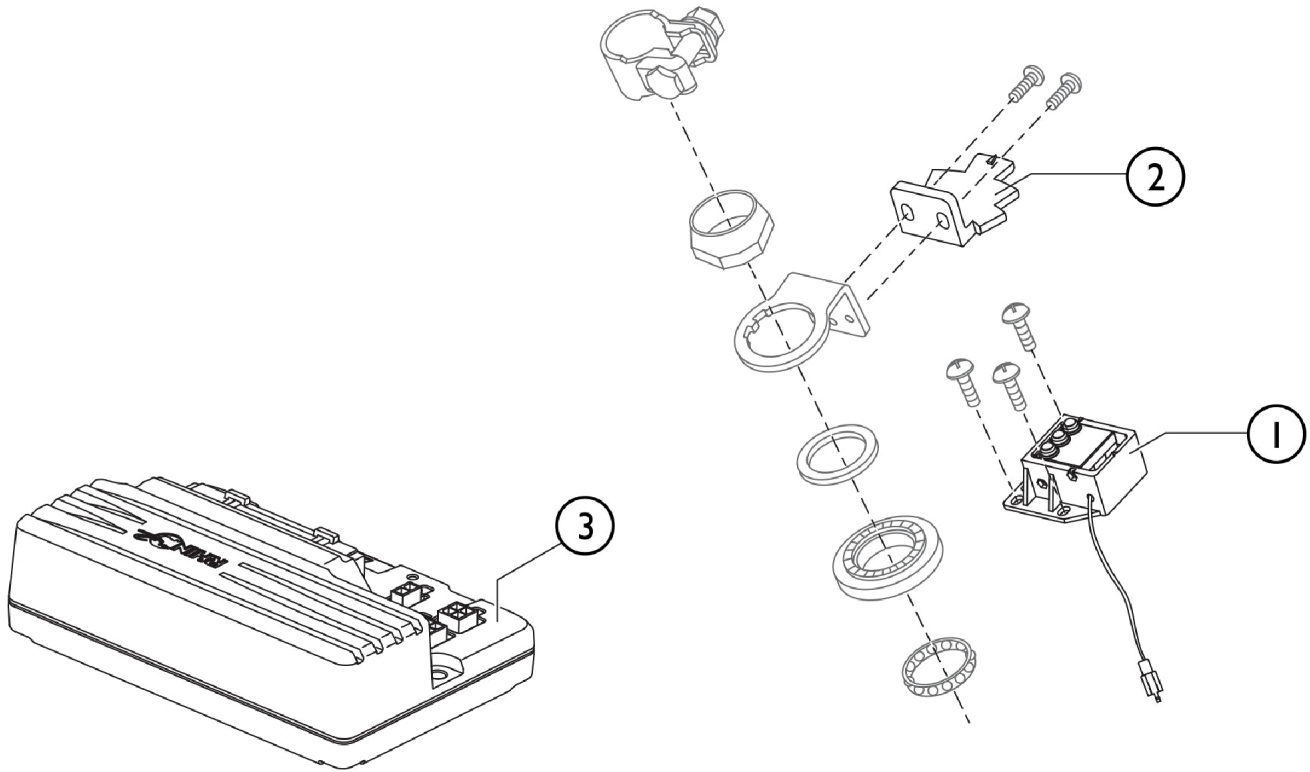
SCP_089A

Electronic Components

Item Number	Note	Part Number	Description	Quantity Per	
				Package	Assembly
1		1506153	Buzzer	--	1
2		1523543	Charger Port	--	1
3		1523534	Cover, Charger Port	--	1
4		1523544	Bracket, Charger-Inlett	--	1
5		1505451	Ignition, Key Cylinder (Standard)	--	1
6		1608208	P.C. Board LCD	--	1
7		1505462	Variable Resistor, Complete (30.0KO)	--	1
8		1637215	Display cover & rubber keys (LCD Display)	--	1
9		1608207	Knob, Speed control	--	1
10		1608204	Temperature sensor	--	1
11		1608185	Steering Upper Assembly LCD	--	1
12		1608200	Wig Wag, cpl.	--	1
13		1608212	Wire harness - Pro	--	1
13		1608229	Wire harness - Alpine+ & Ultra	--	1
	A	1521577	Fuse (10 Amp)	--	1

NOTE: A - Not Shown

Powerbox and Limit Switch Trigger



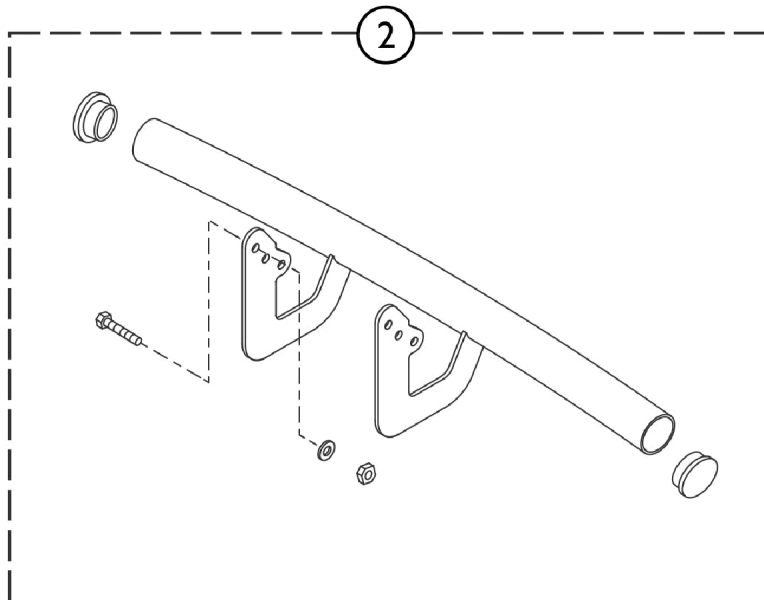
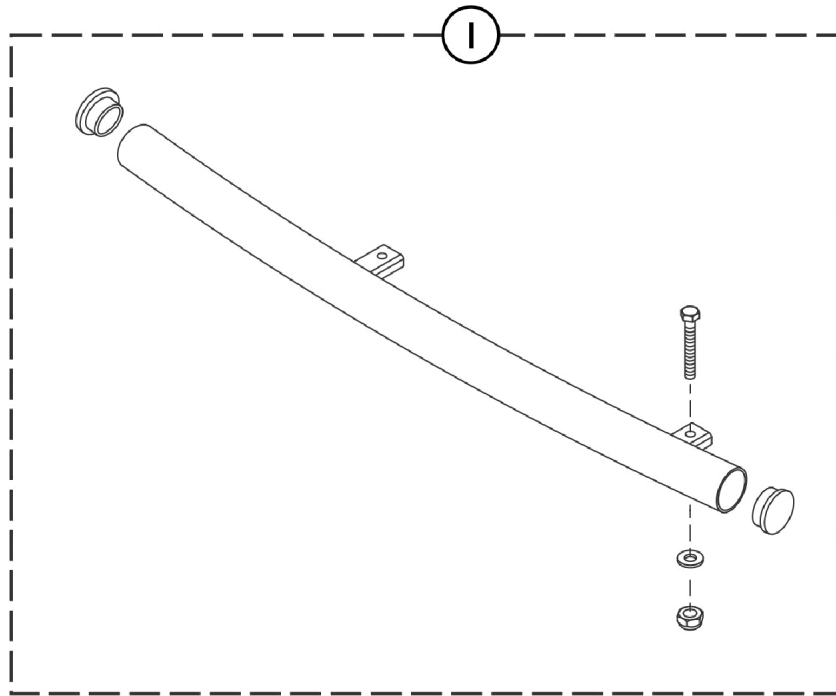
SCP_090A

Powerbox and Limit Switch Trigger

Item Number	Note	Part Number	Description	Quantity Per	
				Package	Assembly
1		1556266	Speed Limit Switch Box Comet Ultra 10 km/h	--	1
1		1556281	Speed Limit Switch Box Comet Pro 15 km/h	--	1
2		1608230	Trigger, limit switch	--	1
3		1553399	Controller, Rhino (120A)	--	1
3		1553400	Controller, Rhino (160A HD)	--	1
	A	1581766	Adjustment Gauge, Speed Reduction Switch	--	1

NOTE: A - Not Shown. For mounting the Speed Reduction Switch, the adjustment Gauge part #1581766 is needed also.

Bumpers

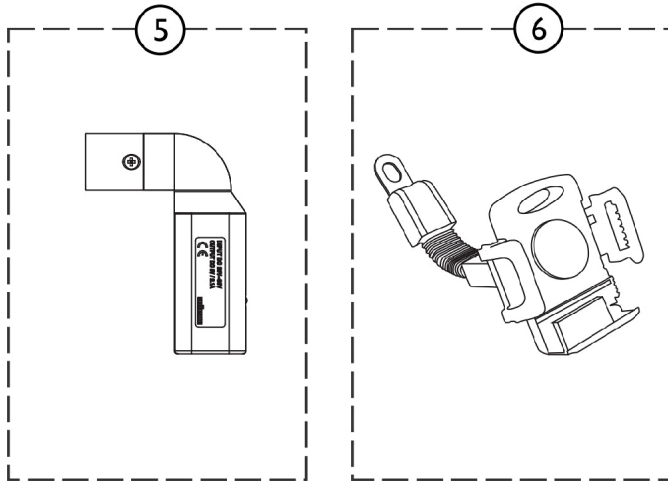
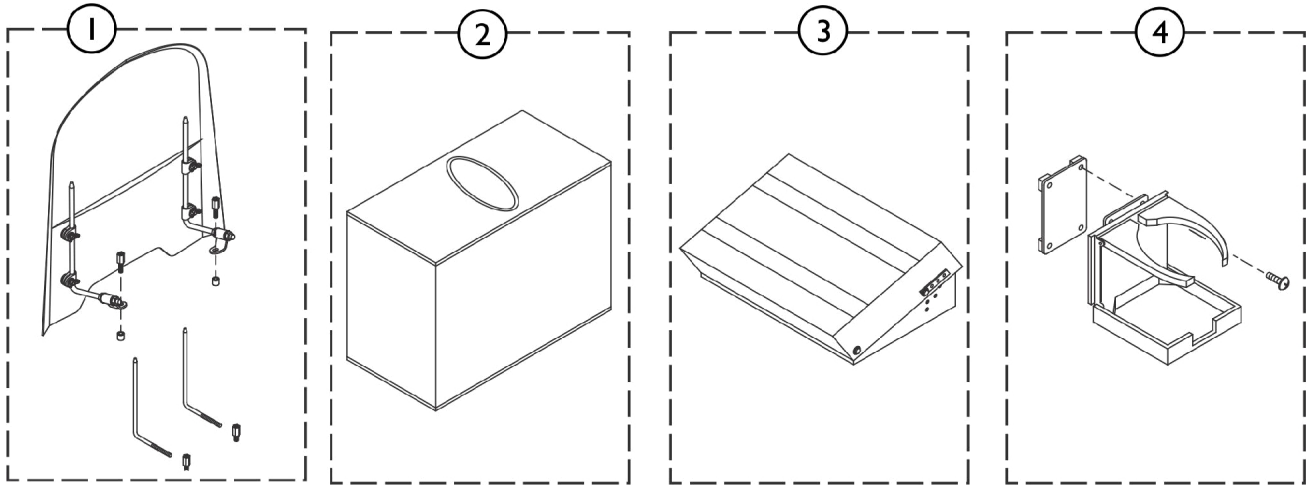


SCP91A

Bumpers

Item Number	Note	Part Number	Description	Quantity Per	
				Package	Assembly
1		1638967	Rear steel bumper	--	1
2		1528298	Front Bumper Comet 4w	--	1

Other Accessories



SCP_092A

Other Accessories

Item Number	Note	Part Number	Description	Quantity Per	
				Package	Assembly
1		1543160	Windscreen	--	1
2		1518240	Seat Cover, Comet - Black Only	--	1
3		1637914	Footrest, adjustable	--	1
4		1521594	Beverage Holder	--	1
5		1637917	USB charger	--	1
6		1637912	Mobile phone holder	--	1

Invacare Canada L.P.

www.invacare.ca



Yes, you can.

570 Matheson Blvd E;8
Mississauga, ON,
L4Z 4G4 Canada
800-668-5324

Technical Support
800-668-5324

Customer Service
800-668-5324

Literature
800-668-5324
or www.invacare.ca

© 2022 Invacare Corporation. All rights reserved. Republication, duplication or modification in whole or in part is prohibited without prior written permission from Invacare. Trademarks are identified by ™ and ©. All trademarks are owned by or licensed to Invacare Corporation or its subsidiaries unless otherwise noted. (Revised 04/20/22)

Form No. 18-074C