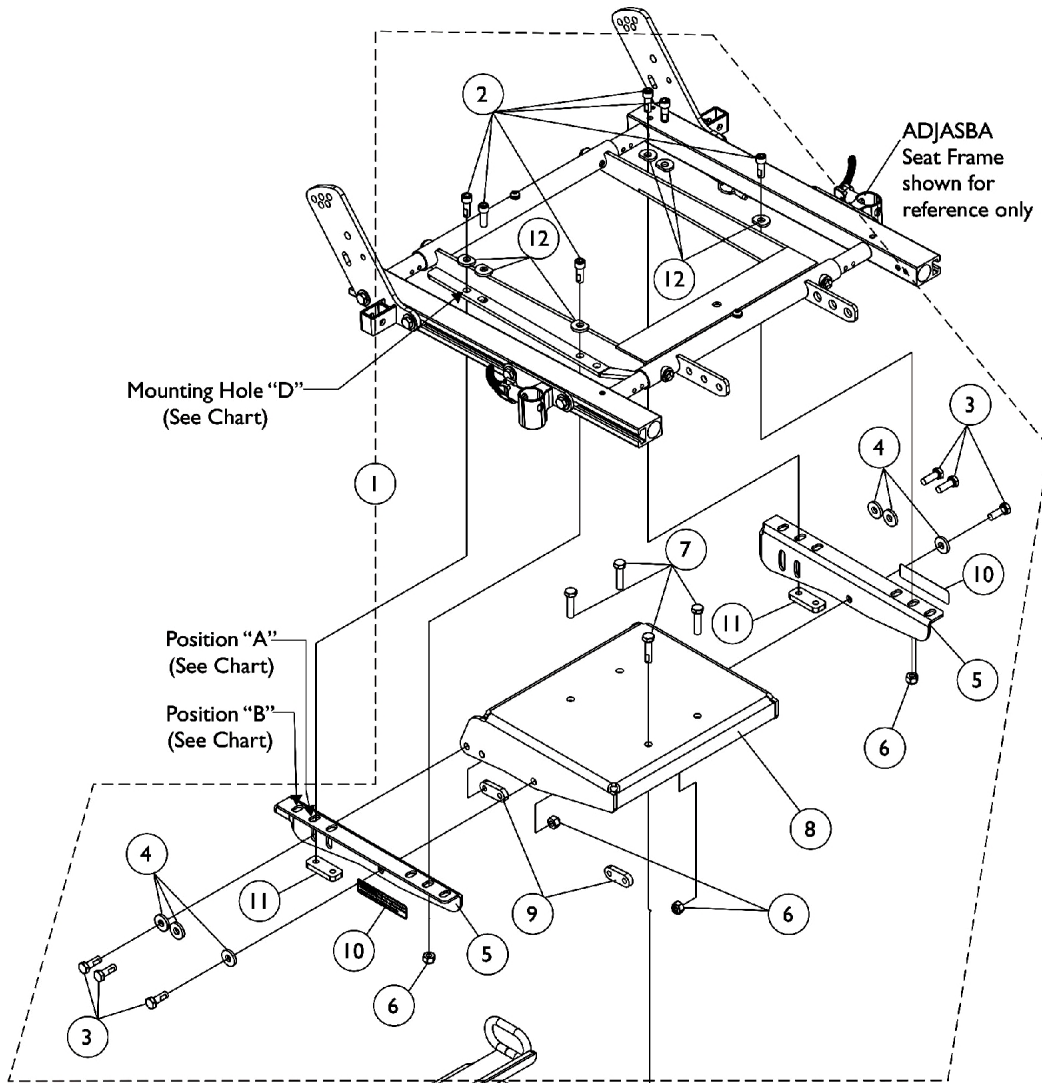


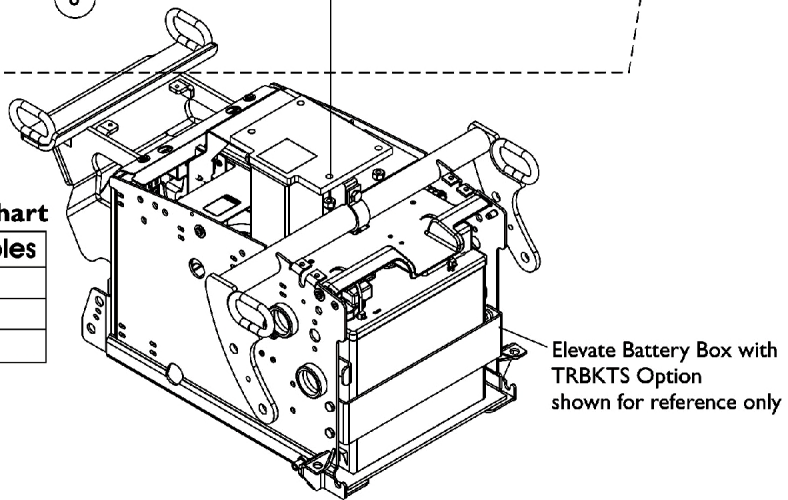
Seat Frame Mounting Hardware

Elevate Only For ADJASBA Seating with TRBKTS Option



Seat Mounting Positioning Chart

Seat Depth	Mounting Holes
16-17"	BD
18-19"	AD
20-22"	BD



Seat Frame Mounting Hardware

Elevate Only For ADJASBA Seating with TRBKTS Option

Item Number	Note	Part Number	Description	Quantity Per	
				Package	Assembly
1	A	1134945-NLA	Kit, ADJASBA Seat Frame Mounting Hardware For TRBKTS Option	1	1
2			Screw, Socket Head w/ Patch (5/16-18 x 7/8")	1	6
3			NLA - Screw, Hex Head w/ Patch (5/16-18 x 7/8")	1	6
4			Washer, Flat (21/64 x 53/64 x 7/64")	1	6
5			NLA - Bracket, Seat Frame Mounting, Black - Right	1	1
5			NLA - Bracket, Seat Frame Mounting, Black - Left	1	1
6			Locknut (5/16-18)	1	8
7			Screw, Hex Head w/ Patch (5/16-18 x 1-1/4")	1	4
8			NLA - Plate, A.S.B.A. Seat Frame Mounting	1	1
9			NLA - Nut, Strap	1	2
10			Decal, Seat Adjustment Warning	1	2
11			Plate, Nut (5/16-18)	1	2
12			NLA - Washer, Ground (11/32 x 13/16 x 1/8")	1	6

NOTE: A - Includes items 2-12