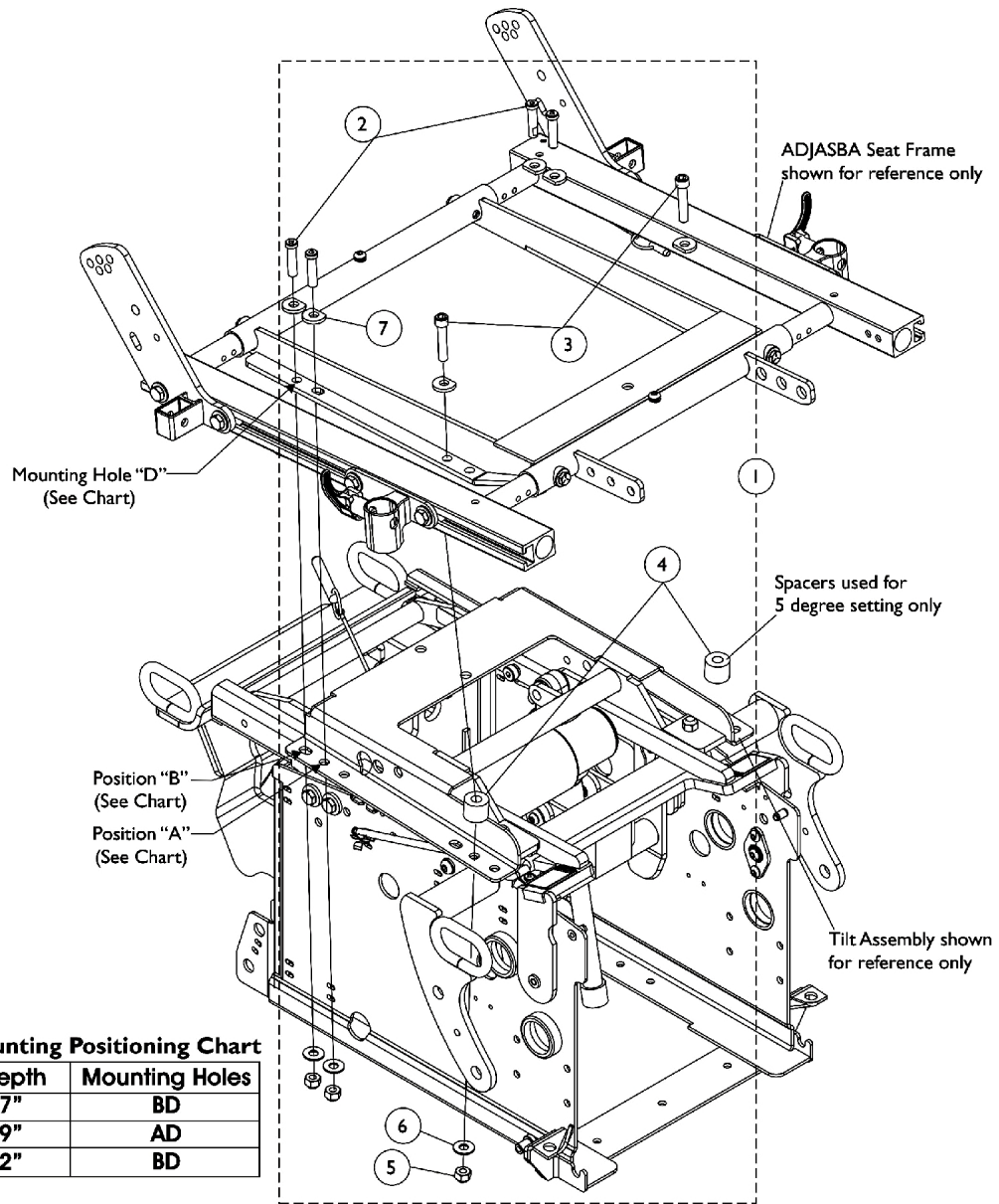


ADJASBA Seat Frame Mounting Hardware For TRBKTS Option



Seat Mounting Positioning Chart

Seat Depth	Mounting Holes
16-17"	BD
18-19"	AD
20-22"	BD

ADJASBA Seat Frame Mounting Hardware For TRBKTS Option

Item Number	Note	Part Number	Description	Quantity Per	
				Package	Assembly
1	A	1141674-NLA	NLA - Kit, ADJASBA Seat Mounting Hardware, 0 Degree Setting For TRBKTS Option	1	1
2			Screw, Socket Head w/ Patch (5/16-18 x 7/8")	1	6
5			Locknut (5/16-18)	1	6
6			Washer, Steel (5/16 x 3/4 x 1/16")	1	6
7			NLA - Washer, Ground (11/32 x 13/16 x 1/8")	1	6
1	B	1141675-NLA	NLA - Kit, ADJASBA Seat Mounting Hardware, 5 Degree Setting For TRBKTS Option	1	1
2			NLA - Screw, Socket Head w/ Patch (5/16-18 x 1-1/4")	1	4
3			Screw, Socket Head (5/16-18 x 1-1/2")	1	2
4			NLA - Spacer (3/8 x 7/8 x 11/16")	1	2
5			Locknut (5/16-18)	1	6
6			Washer, Steel (5/16 x 3/4 x 1/16")	1	6
7			NLA - Washer, Ground (11/32 x 13/16 x 1/8")	1	6
NOTE: A - Includes items 2, 5-7 B - Includes items 2-7					