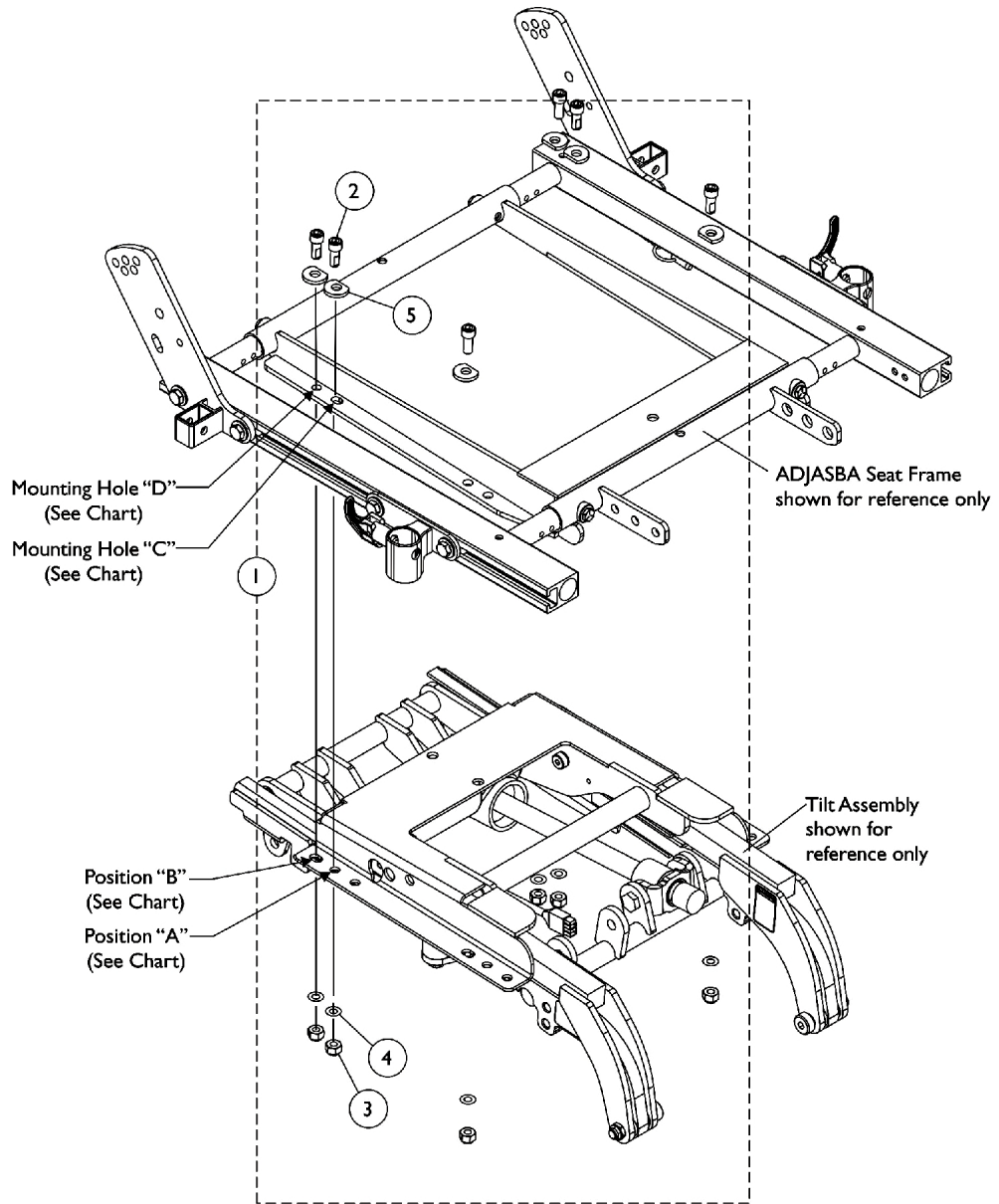


# ADJASBA Seat Frame Mounting Hardware

## For TDX Only with TRBKTS Option



**Seat Mounting Positioning Chart**

Model	Seat Depth	Mounting Holes
TDX	16-17"	BD
	18-19"	AD
	20-22"	BD

## ADJASBA Seat Frame Mounting Hardware For TDX Only with TRBKTS Option

Item Number	Note	Part Number	Description	Quantity Per	
				Package	Assembly
1	A	1141674	NLA - Kit, ADJASBA Seat Mounting Hardware, 0 Degree Setting For TRBKTS Option	1	1
2			Screw, Socket Head w/ Patch (5/16-18 x 7/8")	1	6
3			Locknut (5/16-18)	1	6
4			Washer, Steel (5/16 x 3/4 x 1/16")	1	6
5			NLA - Washer, Ground (11/32 x 13/16 x 1/8")	1	6
NOTE: A - Includes items 2 and 5					