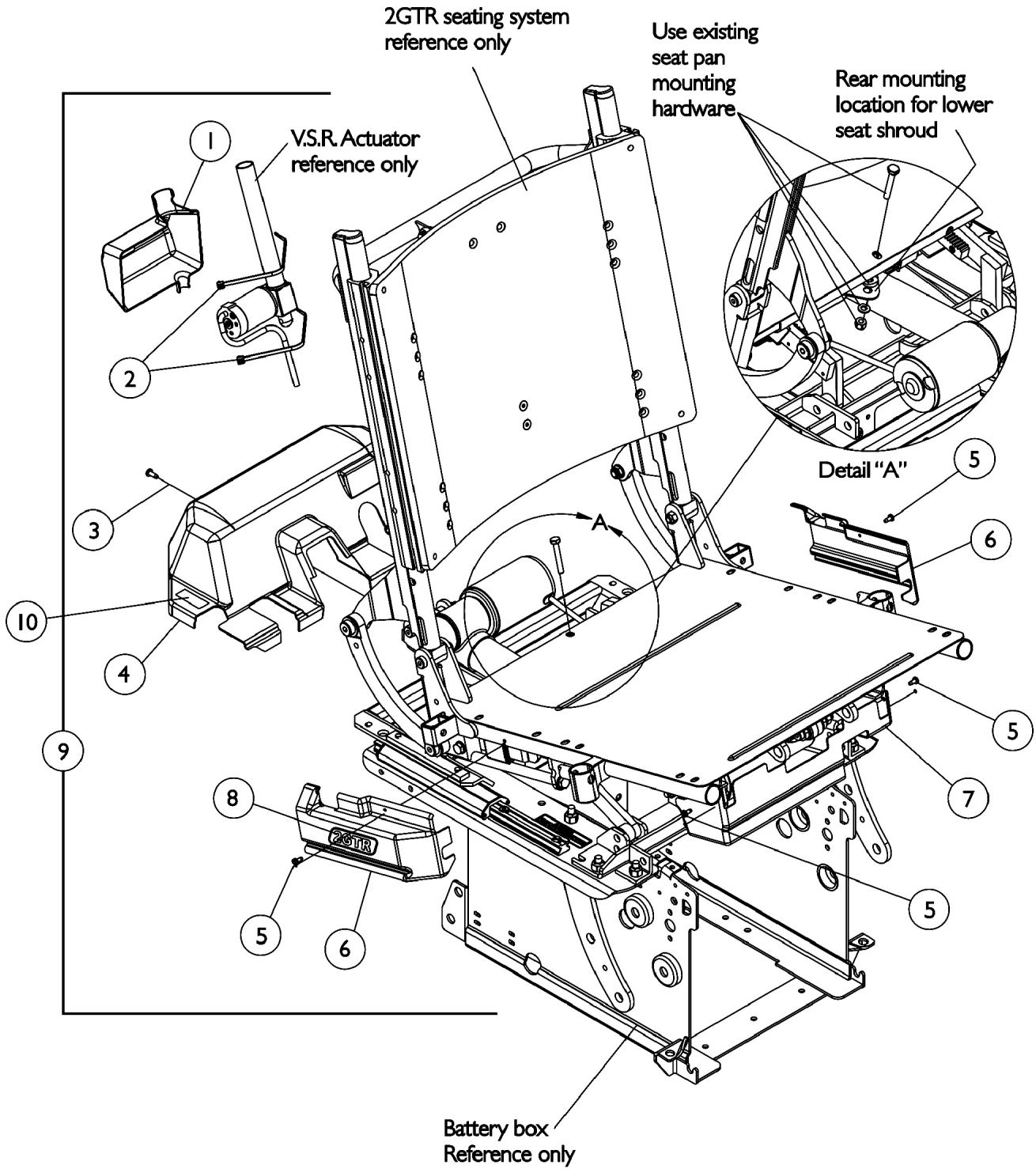


Shroud Covers

Rear, Side, Lower Seat and V.S.R. Actuator



Shroud Covers

Rear, Side, Lower Seat and V.S.R. Actuator

Item Number	Note	Part Number	Description	Quantity Per	
				Package	Assembly
1		1115839-NLA	NLA - Cover, Shroud, V.S.R. Actuator	1	1
2		1104253-NLA	NLA - Tie Wrap (8" L)	10	2
3		1028484	Screw, Phillips Pan Head Tap (#10-32 x 1/2")	1	1
4	C	1115818-NLA	NLA - Cover, Shroud - Rear	1	1
5		1025729	Screw, Phillips Pan Head Tap (#8-32 x 3/8")	1	4
6		1115832-NLA	NLA - Shroud Cover Assembly with Decal - Right (2GT)	1	1
6		1115833-NLA	NLA - Shroud Cover Assembly with Decal - Left (2GT)	1	1
6		1115834-NLA	NLA - Shroud Cover Assembly with Decal - Right (2GR)	1	1
6		1115835-NLA	NLA - Shroud Cover Assembly with Decal - Left (2GR)	1	1
6		1115836-NLA	NLA - Shroud Cover Assembly with Decal - Right (2GTR)	1	1
6		1115837-NLA	NLA - Shroud Cover Assembly with Decal - Left (2GTR)	1	1
7		1117234-NLA	NLA - Cover, Shroud, Lower Seat	1	1
8		1087033-NLA	NLA - Decal, Side Shroud Cover, Tilt Only	1	2
8		1087034-NLA	NLA - Decal, Side Shroud Cover, Recline Only	1	2
8		1087032-NLA	NLA - Decal, Side Shroud Cover, Tilt/ Recline	1	2
9		1113623-NLA	NLA - Shroud Assembly with Hardware, 2GT	1	1
9	A,D	See Note	See Footnote	1	1
9	B,D	See Note	See Footnote	1	1
9	A	1115841-NLA	NLA - Shroud Assembly with Hardware, 2GTR w/o V.S.R.	1	1
9	B,D	See Note	See Footnote	1	1
10		1079203	Decal, Warning Pinch Point	1	2

NOTE: A - Includes items 3-8
B - Includes items 1-8
C - When TRBKTS option is used and a replacement Rear Shroud Cover is required, item 10 Pinch Point Decal must be ordered as well
D - No longer available as a service part.