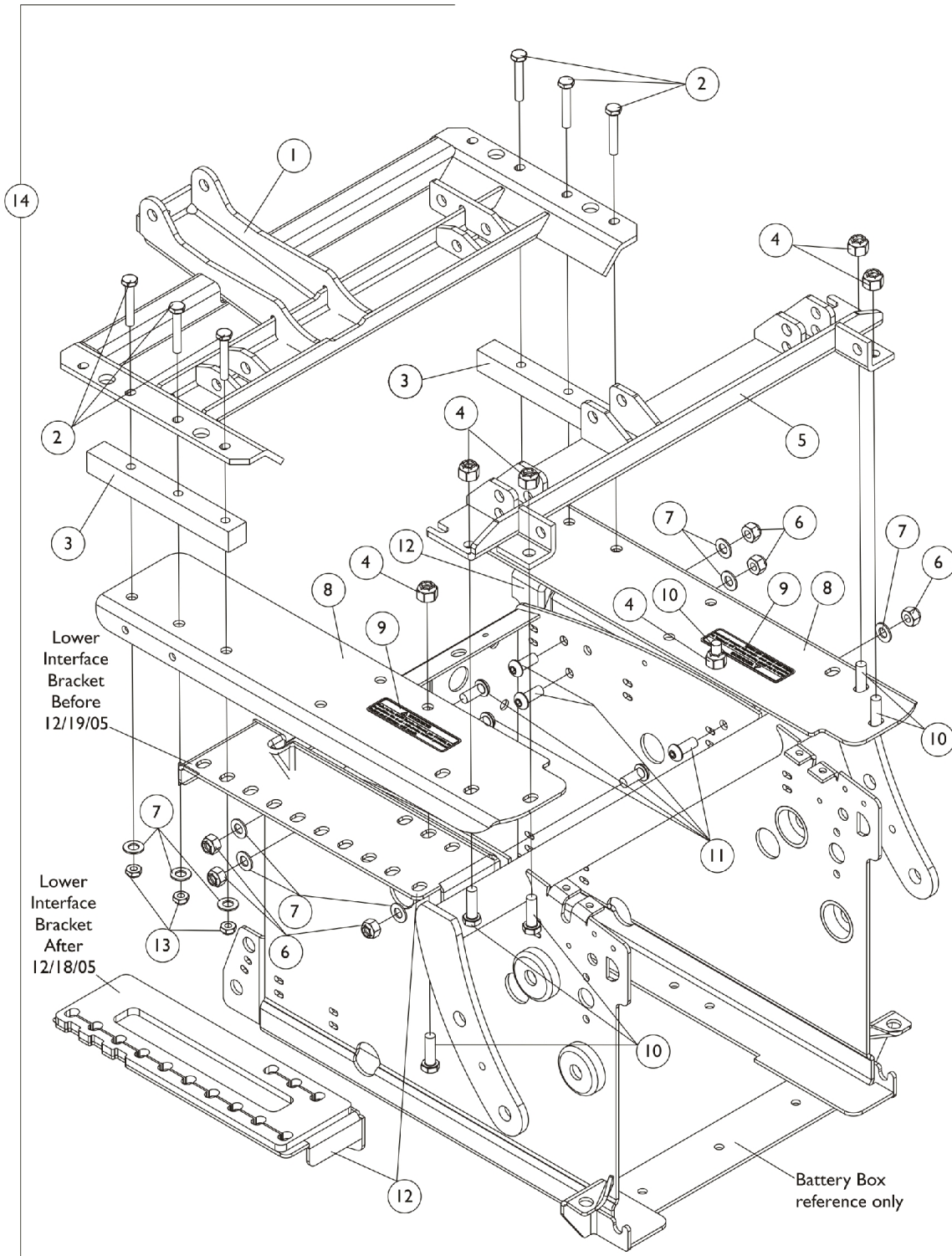


# Interface Hardware (To Attach 2GR To The Battery Box) Recline Only (2GR)



## Interface Hardware (To Attach 2GR To The Battery Box) Recline Only (2GR)

Item Number	Note	Part Number	Description	Quantity Per	
				Package	Assembly
1	D	1113594-NLA	NLA - Pivot Assembly, Rear	1	1
2	B	1030949	Screw, Hex Head (1/4-20 x 1-1/2")	1	6
2	C	1024793-NLA	NLA - Screw, Hex Head (1/4-20 x 1-3/4")	1	6
3		1086943-NLA	NLA - Bar, Spacer, Black	1	2
4		1064267	Locknut (5/16-18)	1	6
5		1113604-NLA	NLA - Pivot Assembly, Front	1	1
6		1026158	Locknut (5/16-18)	1	6
7		1025704	Washer, Flat (5/16 x 5/8 x 1/16")	1	12
8		1120348-NLA	NLA - Kit, Bracket w/ Decal, Black - Right (2GTR)	1	1
8		1120349-NLA	NLA - Kit, Bracket w/ Decal, Black - Left (2GTR)	1	1
9		1118370-NLA	NLA - Decal, Warning, 2GTR Seat Repositioning	1	2
10		1043629	Screw, Hex Head w/ Patch (5/16-18 x 1-1/4")	1	6
11		1071955	Screw, Socket Button Head (5/16-18 x 3/4")	1	6
12	B	1114964-NLA	NLA - Bracket, Lower Interface, Black - Right	1	1
12	B	1114965-NLA	NLA - Bracket, Lower Interface, Black - Left	1	1
12	C	1140829-NLA	NLA - Bracket, Lower Interface, Black - Right	1	1
12	C	1140830-NLA	NLA - Bracket, Lower Interface, Black - Left	1	1
13		1025195	Locknut (1/4-20)	1	6
14	A	1113603-NLA	NLA - Interface Hardware - 2GR	1	1

NOTE: A - Includes items 1-13 and used to attach a 2GR to the battery box. When item 14 is ordered, item 12 Lower Interface Bracket made after 12/18/05 will be shipped. The seat to floor height will be raised 1/4".  
B - Before 12/19/05  
C - After 12/18/05  
D - Item No Longer Available. Use part # 1113603 as a replacement.