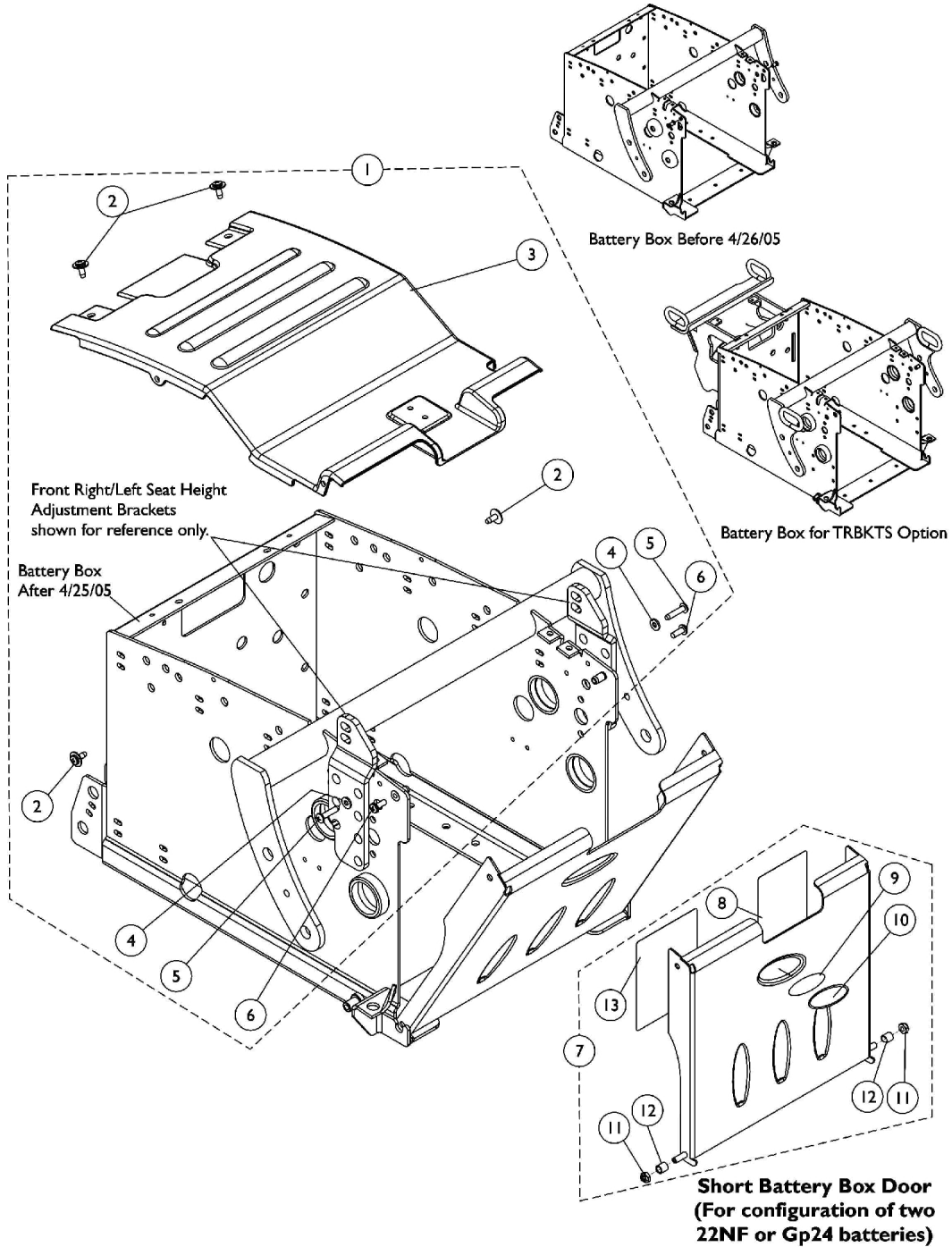


Battery Box Hardware and Door Assembly For Formula PTO Plus Seating

The Battery Boxes are non-serviceable parts in the field. Wheelchair must be returned to Invacare for repair. Call Technical Services for assistance (1-800-832-4707)



Battery Box Hardware and Door Assembly For Formula PTO Plus Seating

The Battery Boxes are non-serviceable parts in the field. Wheelchair must be returned to Invacare for repair. Call Technical Services for assistance (1-800-832-4707)

Item Number	Note	Part Number	Description	Quantity Per	
				Package	Assembly
1	A	1133030-NLA	NLA - Kit, Battery Box Hardware For PTO Plus	1	1
2			Screw, Phillips Pan Head Tap (#10-32 x 1/2")	1	4
3			NLA - Cover, Battery Box Shroud	1	1
4			Washer, Steel (3/16 x 7/16 x 1/16")	1	2
5			NLA - Screw, Phillips Pan Head (#10-32 x 7/8")	1	2
6			NLA - 3Screw, Socket Head (#10-32 x 1/2")	1	2
7	B,C,D	1113357	NLA - Kit, Battery Box Door Assembly, 22NF Short	1	1
8			NLA - Label, 22NF Terminal Configuration Warning	1	1
9			NLA - Decal, Blank Logo	1	1
10			NLA - Decal, Invacare Medallion - Large	1	1
11			Locknut (1/4-20)	1	2
12			NLA - Sleeve, Door Pivot	1	2
13			NLA - Label, 22NF Battery Install/Remove	1	1
7	B,C	1113127-NLA	NLA - Kit, Battery Box Door Assembly, GP24 Short	1	1
8			NLA - Label, Terminal Configuration Warning, GP24	1	1
9			NLA - Decal, Blank Logo	1	1
10			NLA - Decal, Invacare Medallion - Large	1	1
11			Locknut (1/4-20)	1	2
12			NLA - Sleeve, Door Pivot	1	2
13			Label, Battery Install/Remove, GP24	1	1

NOTE: A - Includes items 2-6
 B - Includes items 8-13
 C - Blank Logo Decal is no longer available and no longer required for item number 10 Invacare Medallion Decal.
 D - Part number 1114826 is no longer available from the Invacare Service Parts Department. Refer to the Invacare Website under "Product Literature Search". Enter the part number in the "Keywords" field and download a free PDF version copy.