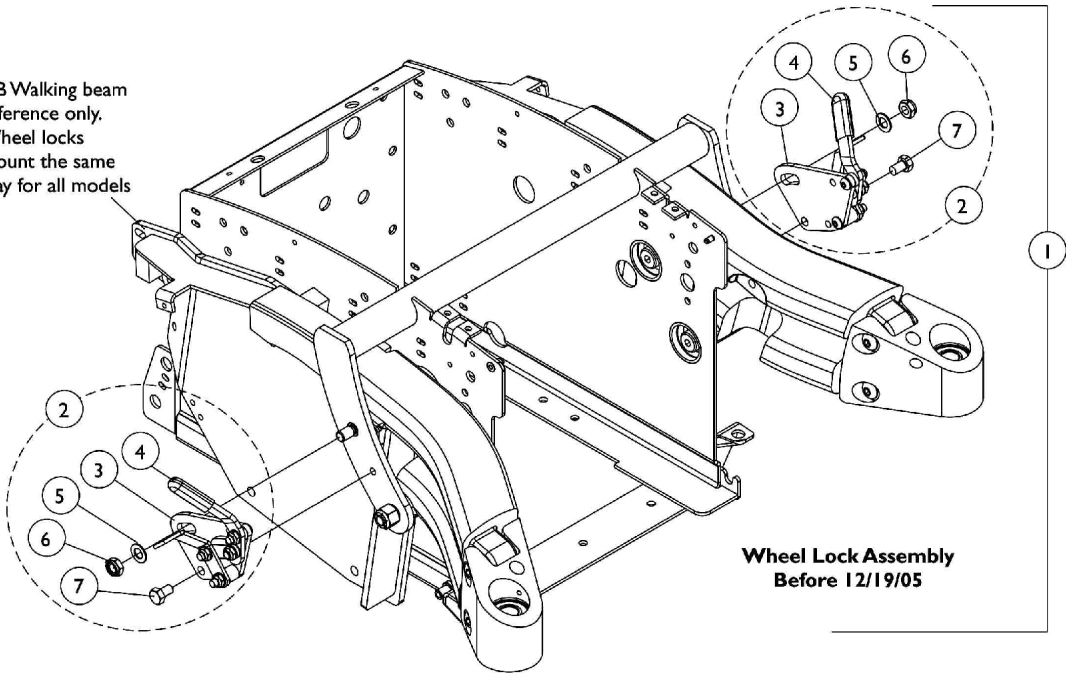


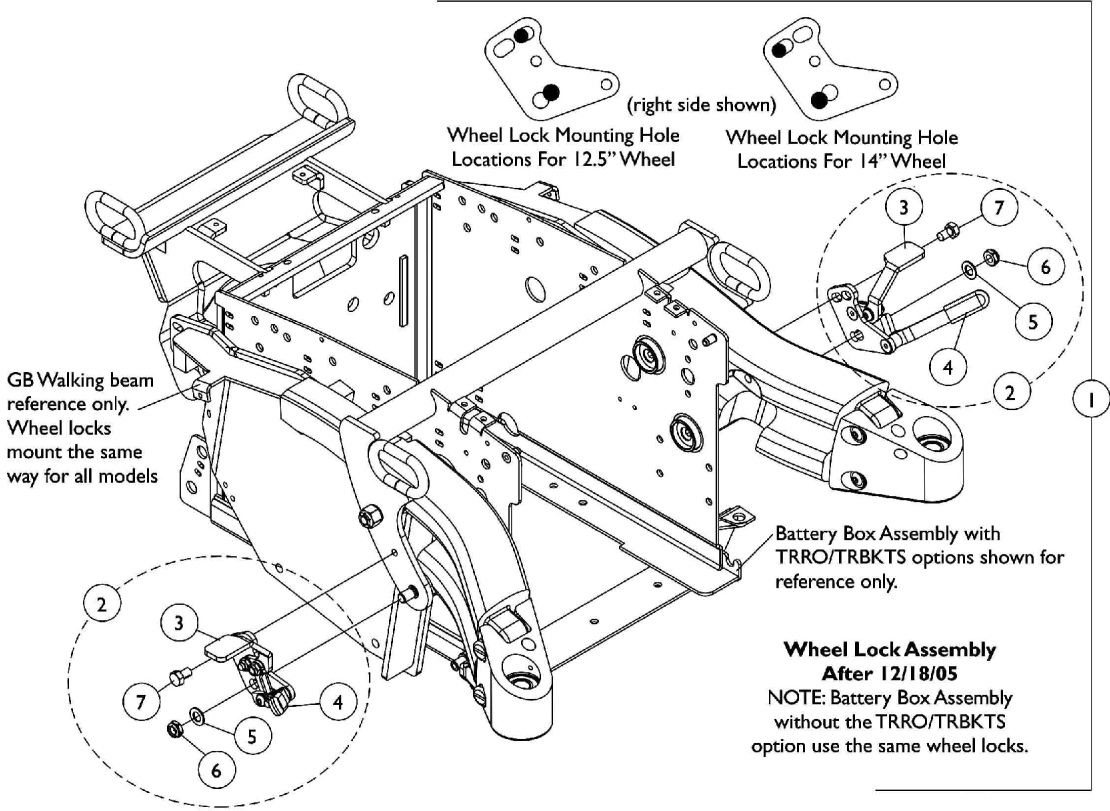
Wheel Lock Assembly

All Models

GB Walking beam
reference only.
Wheel locks
mount the same
way for all models



**Wheel Lock Assembly
Before 12/19/05**



**Wheel Lock Assembly
After 12/18/05**
NOTE: Battery Box Assembly
without the TRRO/TRBKTS
option use the same wheel locks.

Wheel Lock Assembly

All Models

Item Number	Note	Part Number	Description	Quantity Per	
				Package	Assembly
1	A,B	1117252-NLA	Kit, Wheel Lock Assembly w/ Mounting Hardware TDX	2	1
3			NLA - Wheel Lock Assembly, TDX - Right	1	1
3			NLA - Wheel Lock Assembly, TDX - Left	1	1
5			Washer, Flat (3/8 x 11/16 x 1/16")	1	2
6			Locknut, Low Profile (3/8-16)	1	2
7			NLA - Screw, Hex Head w/ Patch (5/16-18 x 1/2")	1	2
1	A,C	1139899	NLA - Kit, Wheel Lock Assembly w/ Mounting Hardware TDX	2	1
3			Wheel Lock Assembly - Right	1	1
3			Wheel Lock Assembly - Left	1	1
5			Washer, Flat (3/8 x 11/16 x 1/16")	1	2
6			Locknut, Low Profile (3/8-16)	1	2
7			NLA - Screw, Hex Head w/ Patch (5/16-18 x 1/2")	1	2
2	A,B	1140252-NLA	Kit, Wheel Lock Assembly w/ Hardware TDX - Right	1	1
3			NLA - Wheel Lock Assembly, TDX - Right	1	1
5			Washer, Flat (3/8 x 11/16 x 1/16")	1	1
6			Locknut, Low Profile (3/8-16)	1	1
7			NLA - Screw, Hex Head w/ Patch (5/16-18 x 1/2")	1	1
2	A,B	1140253-NLA	Kit, Wheel Lock Assembly w/ Hardware TDX - Left	1	1
3			NLA - Wheel Lock Assembly, TDX - Left	1	1
5			Washer, Flat (3/8 x 11/16 x 1/16")	1	1
6			Locknut, Low Profile (3/8-16)	1	1
7			NLA - Screw, Hex Head w/ Patch (5/16-18 x 1/2")	1	1
2	A,C	1140254-NLA	NLA - Kit, Wheel Lock Assembly w/ Hardware TDX - Right	1	1
3			Wheel Lock Assembly - Right	1	1
5			Washer, Flat (3/8 x 11/16 x 1/16")	1	1
6			Locknut, Low Profile (3/8-16)	1	1
7			NLA - Screw, Hex Head w/ Patch (5/16-18 x 1/2")	1	1
2	A,C	1140255-NLA	NLA - Wheel Lock Assembly w/ Hardware TDX - Left	1	1
3			Wheel Lock Assembly - Left	1	1
5			Washer, Flat (3/8 x 11/16 x 1/16")	1	1
6			Locknut, Low Profile (3/8-16)	1	1
7			NLA - Screw, Hex Head w/ Patch (5/16-18 x 1/2")	1	1
4		1127688	Package, Plastic Tip, Black	10	1
4	C	1130584	Package, Cap, Brake Lever End, Black	10	1

NOTE: A - Includes the wheel lock tip with items 3 and 5-7
 B - Before 12/19/05. No Longer Available, see item 1 and order a pair of wheel Locks part # 1139899 dated after 12/18/05.
 Wheel Lock Handle before 12/19/06 measures approximately 2" long and after 12/18/06 measures approximately 3" long.
 C - After 12/18/05 only.