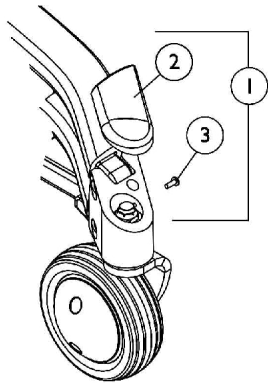
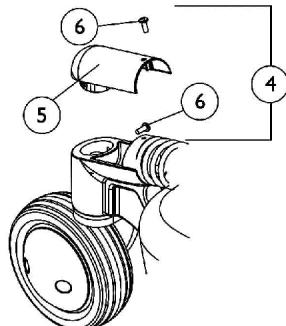


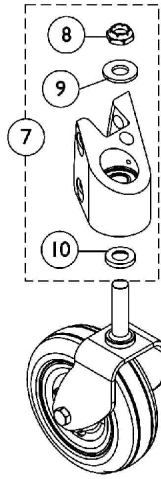
Caster, 6" Front and Rear



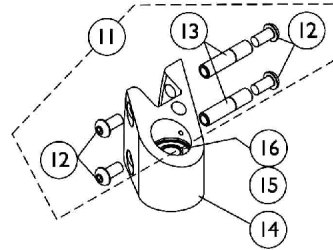
Front Head Tube Cap



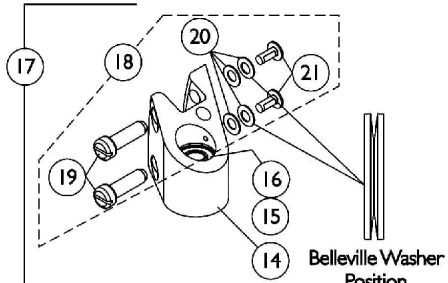
Rear Swing Arm Cap



Fork Mounting Hardware
Front and Rear

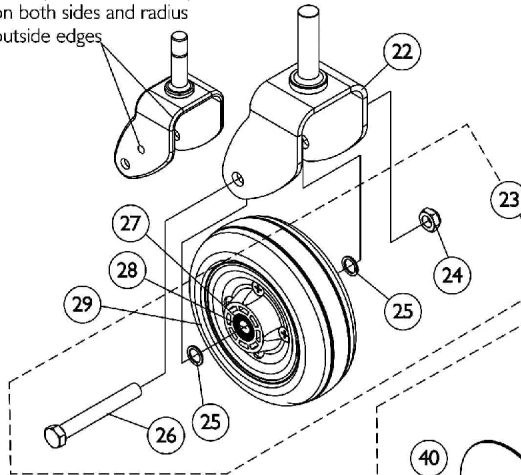


Front Caster Head Tube Assembly
Before 4/26/05

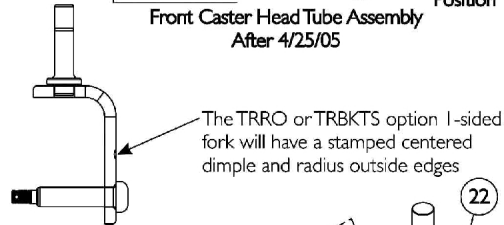


Front Caster Head Tube Assembly
After 4/25/05

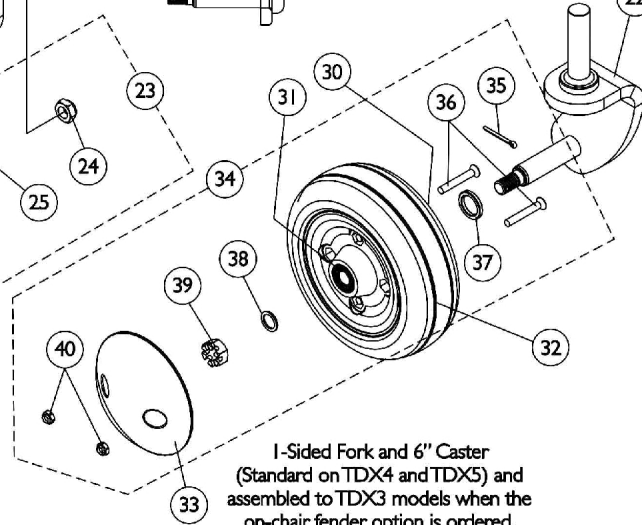
The TRRO or TRBKTS option 2-sided fork will have a stamped centered dimple on both sides and radius outside edges



2-Sided Fork and 6" Caster
(Standard on TDX3)



The TRRO or TRBKTS option 1-sided fork will have a stamped centered dimple and radius outside edges



1-Sided Fork and 6" Caster
(Standard on TDX4 and TDX5) and
assembled to TDX3 models when the
on-chair fender option is ordered.

Caster, 6" Front and Rear

Item Number	Note	Part Number	Description	Quantity Per	
				Package	Assembly
1	A	1121030-NLA	Kit, Cap with Screw, Front Head Tube - Right	1	1
2			NLA - Cap, Front Head Tube, Black - Right	1	1
3			Screw, Phillips Pan Head (#10-32 x 1/2")	1	1
1	A	1121031-NLA	Kit, Cap with Screw, Front Head Tube - Left	1	1
2			NLA - Cap, Front Head Tube, Black - Left	1	1
3			Screw, Phillips Pan Head (#10-32 x 1/2")	1	1
4	O	1121032-NLA	Kit, Cap with Screws, Rear Swing Arm	1	1
5			NLA - Cap, Rear Swing Arm, Black	1	1
6			Screw, Phillips Pan Head Tap (#10-32 x 3/8")	1	2
7	C	1110684	Kit, Fork Mounting Hardware	1	1
8			Locknut (5/8-18)	1	1
9			Washer, Nylon (5/8 x 1-5/16 x 1/8")	1	1
10			Spacer, Stem (5/8 x 1-1/8 x 3/16")	1	1
8		1028550	Locknut (5/8-18)	1	1
9		1041444	Washer, Nylon (5/8 x 1-5/16 x 1/8")	1	1
10		1106068	Spacer, Stem (5/8 x 1-1/8 x 3/16")	1	1
11	D	1128400	Kit, Front Head Tube Mounting Hardware	2	1
12			Screw, Socket Button Head Cap (3/8-24 x 3/4")	1	4
13			Bushing, Pivot Head Tube	1	2
14	E,G	8881113176-NL A	NLA - Head Tube with Bearings, Front - Right	1	1
14	E,G	8881113177-NL A	NLA - Head Tube with Bearings, Front - Left	1	1
14	F	1133038-NLA	NLA - Head Tube Black with Bearings, Front - Right	1	1
14	F	1133039-NLA	NLA - Head Tube Black with Bearings, Front - Left	1	1
15	S	40117X006	Bearing (5/8")	1	2
16	S	1110717	Ring, Tolerance	1	2
17	H	1128401-NLA	NLA - Kit, Front Headtube with Mounting Hardware	2	1
14			NLA - Head Tube Black with Bearings, Front - Right	1	1
14			NLA - Head Tube Black with Bearings, Front - Left	1	1
19			NLA - Pin, Black (1/2 x 1-5/8")	1	4
20			NLA - Washer, Belleville (3/8 x 3/4 x 1/16")	1	8
21			NLA - Screw, Socket Button Head Flange w/ Patch (5/16-18 x 3/4")	1	4
18	I	1128402	NLA - Kit, Front Head Tube Mounting Hardware	2	1
19			NLA - Pin, Black (1/2 x 1-5/8")	1	4
20			NLA - Washer, Belleville (3/8 x 3/4 x 1/16")	1	8
21			NLA - Screw, Socket Button Head Flange w/ Patch (5/16-18 x 3/4")	1	4
22		1110683	Fork and Stem, 2-Sided - Right/Left	1	1
22	N	1141020	Fork and Stem, 2-Sided, TRRO/TRBKTS - Right/Left	1	1
22	J,P	1113123	Fork and Stem, 1-Sided - Right	1	1
22	J,P	1113124	Fork and Stem, 1-Sided - Left	1	1
22	J,M,P	1141005	Fork and Stem, 1-Sided, TRRO/TRBKTS - Right	1	1
22	J,P	1141006	Fork and Stem, 1-Sided, TRRO/TRBKTS - Left	1	1
23	K	1110708	Kit, Caster Mounting Hardware	1	1
24		1025734	Locknut (7/16-20)	1	1

Caster, 6" Front and Rear

Item Number	Note	Part Number	Description	Quantity Per	
				Package	Assembly
25		1025724	Washer, Steel (15/32 x 5/8 x 3/64")	1	2
26		1025726	Screw, Hex Head (7/16-20 x 3-1/4")	1	1
27		1006049	Bearing (7/16")	1	2
28		1020592	Spacer, Bearing (7/16 x 5/8 x 1-3/4")	1	1
29	Q	1115179	Wheel Assembly, Semi-Pneumatic, Urethane, Deep Profile, Grey Tire/Black Hub (6" x 2")	1	1
29	Q	1122066	Wheel Assembly, Semi-Pneumatic, Urethane, Deep Profile, Grey Tire/Black Hub (6" x 2") (Pair)	2	1
30		40117X006	Bearing (5/8")	1	1
31		1006049	Bearing (7/16")	1	1
32	R	1110715	Wheel Assembly, Semi-Pneumatic, Urethane, Deep Profile, Grey Tire/Black Hub (6" x 2")	1	1
32	R	1122067	Wheel Assembly, Semi-Pneumatic, Urethane, Deep Profile, Grey Tire/Black Hub (6" x 2") (Pair)	2	1
33		1105854	Cap, Hub, Black	1	1
34	L	1108561	Hardware, Caster	1	1
35		1105852	Pin, Cotter (7/64 x 1")	1	1
36		1115246	Screw, Phillips Flat Head (M6 x 1 x 45mm)	1	2
37		1108005	Spacer, Steel (5/8 x 7/8 x 1/8")	1	1
38		1025724	Washer, Steel (15/32 x 5/8 x 3/64")	1	1
39		1107168-NLA	NLA - Nut, Hex Slotted (7/16-20)	1	1
40		1107698	Locknut (M6 x 1)	1	2

NOTE: A - Includes items 2 and 3. 1113206 and 1113207 Caps are no longer available. Kit part numbers 1121030 and 1121031 are no longer available also. There are no replacement part numbers available for the Front Head Tube Caps.
 C - Includes items 8-10
 D - Includes items 12 and 13
 E - Head Tubes before 4/26/05. Frame finish changed to Black and Mtg. Holes were enlarged, Head Tubes before 4/26/05 are no longer available and must be replaced with Head Tubes made after 4/25/05. See item 17 and order the Head Tube and Hardware (Pair) kit.
 F - Head Tubes manufactured after 4/25/05
 G - Specify frame color when ordering, see page titled "Frame Finishes and Touch-Up Paints".
 H - Includes items 14 Head Tubes manufactured after 4/25/05 and items 19-21
 I - Includes items 19-21
 J - When 1-sided forks are used, they are assembled in the front and rear of a TDX power chair.
 K - Includes items 24-26
 L - Includes items 35-40
 M - The TRRO or TRBKTS option 1-sided fork will have a stamped centered dimple and radius outside edges
 N - The TRRO or TRBKTS option 2-sided fork will have stamped centered dimple on both sides and radius outside edges
 O - Includes items 5 and 6. Rear Swing Arm Cap is no longer available
 P - One-Sided Forks are standard on GB Motors and optional on 4-Pole motors.
 Q - Includes the Wheel Assembly plus items 27 and 28 also. Used only with the two sided forks.
 R - Includes the Wheel Assembly plus items 30 and 31 also. Used only with the one sided forks.
 S - Item #15 Bearings and Item #16 Tolerance Rings are used for the Front and Rear Caster Fork Stems.