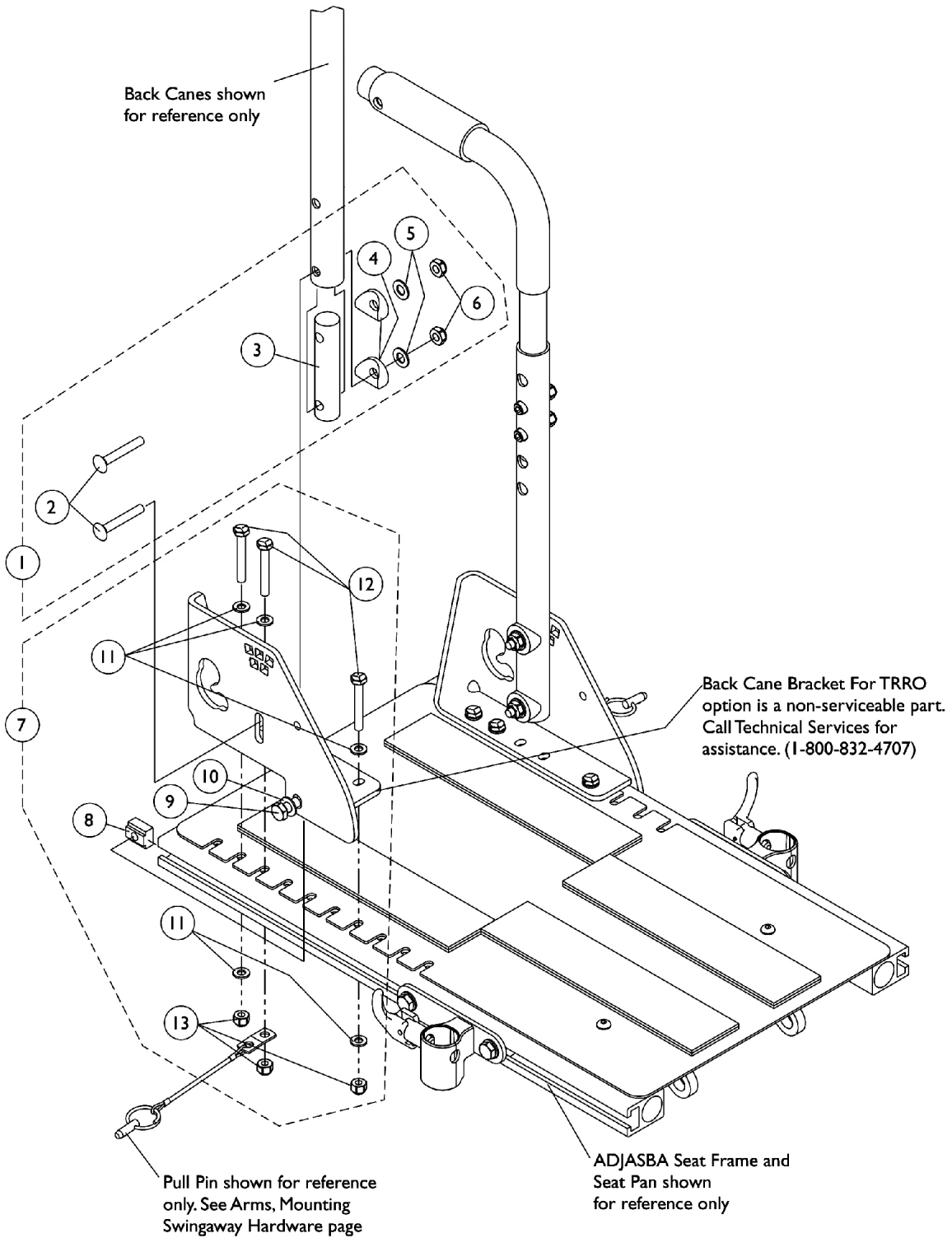


Back Cane Attaching Hardware

For ADJASBA Seats (12"-16" W x 12"-15" D) TRRO Option



Back Cane Attaching Hardware

For ADJASBA Seats (12"-16" W x 12"-15" D) TRRO Option

Item Number	Note	Part Number	Description	Quantity Per	
				Package	Assembly
1	A	1139553	Kit, Back Cane Attaching Hardware For TRRO Option	2	1
2			Bolt, Round Head Square Neck (5/16-18 x 1-3/4")	1	4
3			NLA - Insert, Back Cane	1	2
4			Spacer, Coved (3/4 x 1 x 1/2")	1	4
5			Washer, Flat (5/16 x 5/8 x 1/16")	1	4
6			Locknut (5/16-18)	1	4
7	B	1136026-NLA	NLA - Kit, Back Cane Bracket Mounting Hardware For TRRO Option (12"-15" Deep)	2	1
8			T-Nut (5/16-18)	1	2
9			Screw, Hex Head w/ Patch (5/16-18 x 5/8")	1	2
10			Washer, Flat (5/16 x 5/8 x 1/16")	1	2
11			Washer (1/4 x 1/2 x 1/16")	1	10
12			NLA - Screw, Hex Head (1/4-20 x 1-3/4")	1	6
13			Locknut (1/4-20)	1	6
NOTE: A - Includes items 2-6 B - Includes items 8-13					