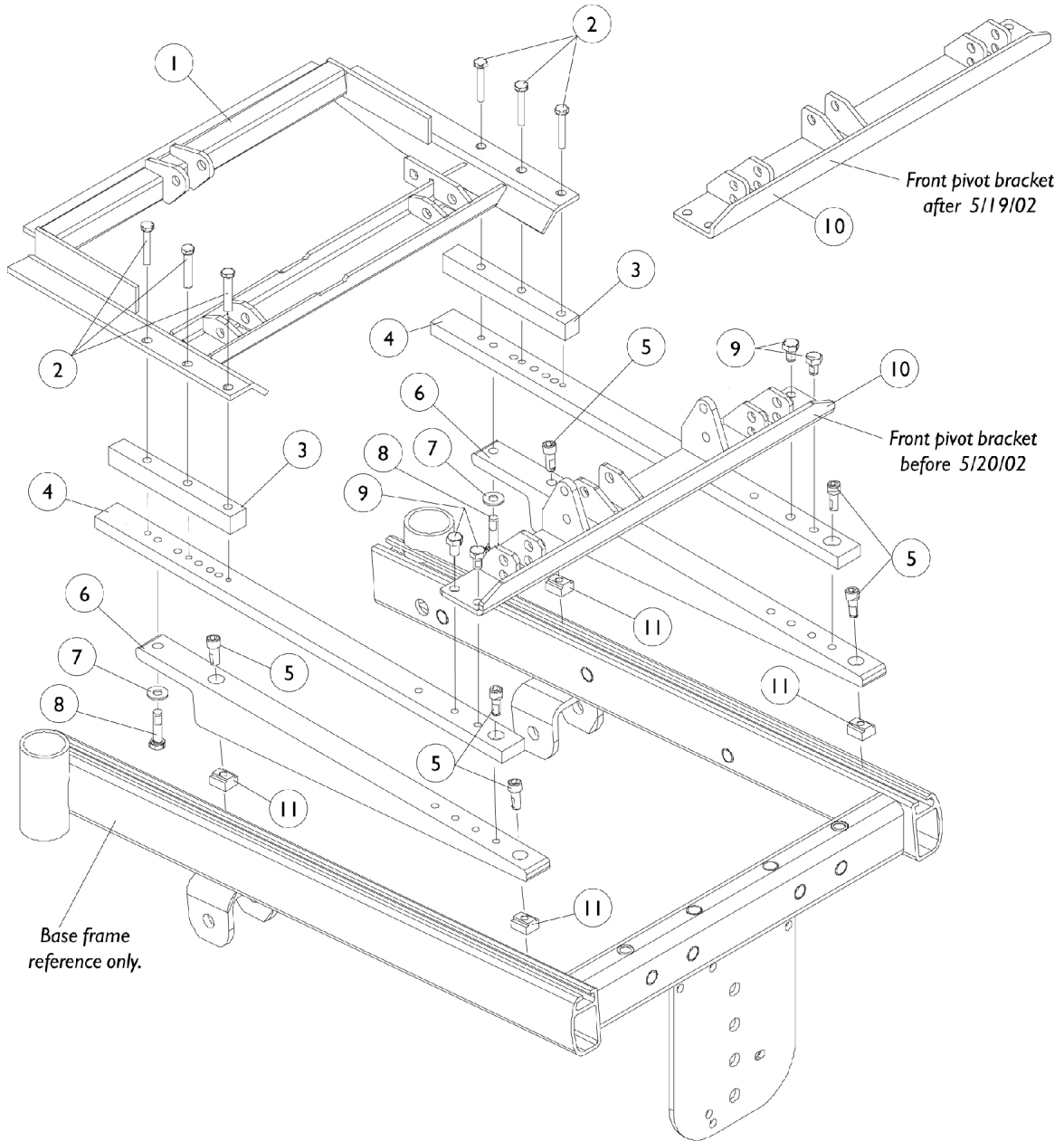


Base Frame Interface Hardware

Recline Only (2GR)



Base Frame Interface Hardware Recline Only (2GR)

Item Number	Note	Part Number	Description	Quantity Per	
				Package	Assembly
1		1082873-NLA	NLA - Pivot Assembly, Rear	1	1
2		1030949	Screw, Hex Head (1/4-20 x 1-1/2")	1	6
3		1086943-NLA	NLA - Bar, Spacer, Black	1	2
4		1095481-NLA	NLA - Plate, Wedge	1	2
5		1086944-NLA	NLA - Screw, Socket Head (5/16-18 x 3/4")	1	6
6		1095479-NLA	NLA - Wedge, Seat Mounting, Black	1	2
7		1074133	Washer, Steel (5/16 x 3/4 x 1/16")	1	2
8		7930337-NLA	NLA - Package, Screw, Hex Head w/ Patch (5/16-18 x 1-1/4")	25	1
9		1061922-NLA	NLA - Screw, Hex Head w/ Patch (5/16-18 x 1/2")	1	4
10	A	1082872-NLA	NLA - Bracket, Pivot, Front, Black	1	1
11		1069724	T-Nut (5/16-18)	1	4

NOTE: A - Front pivot bracket made before 5/20/02 is no longer available. For seating systems manufactured before 5/20/02, see Front Pivot Bracket and Links Kit page and order Kit part number 1112693.