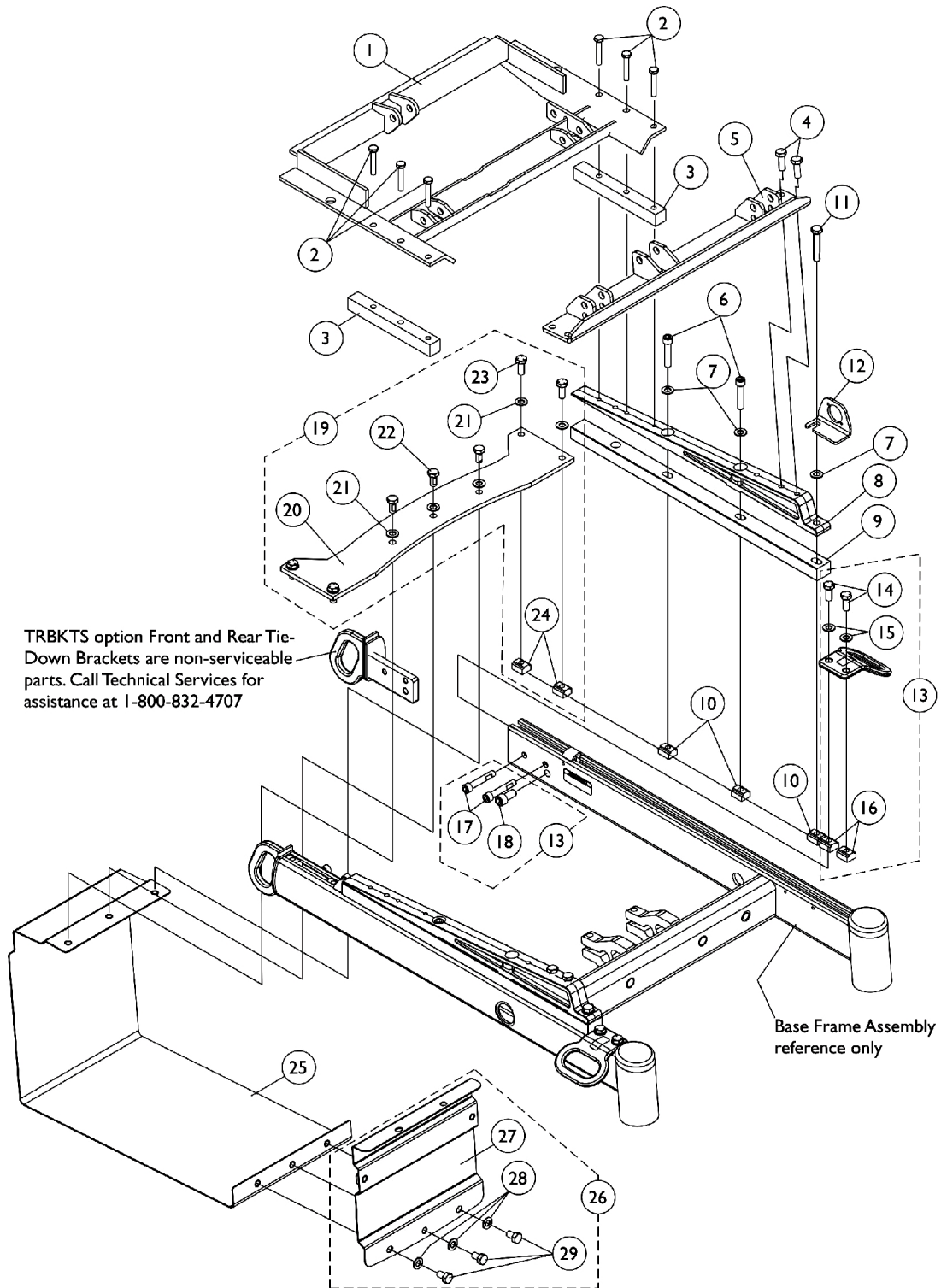


Base Frame Interface Hardware

RWD

Recline Only (2GR) with TRBKTS Option



Base Frame Interface Hardware

RWD

Recline Only (2GR) with TRBKTS Option

Item Number	Note	Part Number	Description	Quantity Per	
				Package	Assembly
1		1082873-NLA	NLA - Pivot Assembly, Rear	1	1
2		1030949	Screw, Hex Head (1/4-20 x 1-1/2")	1	6
3		1086943-NLA	NLA - Bar, Spacer, Black	1	2
4		1070462-NLA	NLA - Screw, Hex Head w/ Patch (5/16-18 x 7/8")	1	4
5		1082872-NLA	NLA - Bracket, Pivot, Front, Black	1	1
6		1021344	Screw, Socket Head (5/16-18 x 1-1/2")	1	4
7		1025704	Washer, Flat (5/16 x 5/8 x 1/16")	1	6
8		1082880-NLA	NLA - Support, Seat	1	2
9		1140342	Spacer, Seat Support Mounting, Black	1	2
10		1069724	T-Nut (5/16-18)	1	6
11		1043627-NLA	NLA - Screw, Hex Head w/ Patch (5/16-18 x 1-3/4")	1	2
12		1070430-NLA	NLA - Bracket, Charger Connector, Black	1	1
13	A	1140259-NLA	NLA - Kit, Front/Rear Tie-Down Brackets Mounting Hardware	1	1
14			NLA - Screw, Hex Head (5/16-18 x 3/4")	1	4
15			Washer, Flat (5/16 x 5/8 x 1/16")	1	4
16			T-Nut (5/16-18)	1	4
17			Screw, Socket Head w/ Patch (5/16-18 x 1-3/4")	1	4
18			NLA - Screw, Socket Head (3/8-16 x 3/4")	1	2
19	B	1140263-NLA	NLA - Kit, Top Battery Support Bracket and Mounting Hardware	1	1
20			Bracket, Top Battery Support, Black	1	1
21			Washer, Flat (5/16 x 5/8 x 1/16")	1	7
22			Screw, Hex Head w/ Patch (5/16-18 x 5/8")	1	3
23			Screw, Hex Head w/ Patch (5/16-18 x 3/4")	1	4
24			T-Nut (5/16-18)	1	4
25		1135963	Bracket, Battery Support, Black	1	1
26	C	1140260-NLA	NLA - Kit, Front Battery Support Bracket with Mounting Hardware	1	1
27			Bracket, Battery Support, Front, Black	1	1
28			Washer, Flat (5/16 x 5/8 x 1/16")	1	3
29			NLA - Screw, Hex Head w/ Patch (5/16-18 x 1/2")	1	3
NOTE: A - Includes items 14-18 B - Includes items 20-23 C - Includes items 27-29					