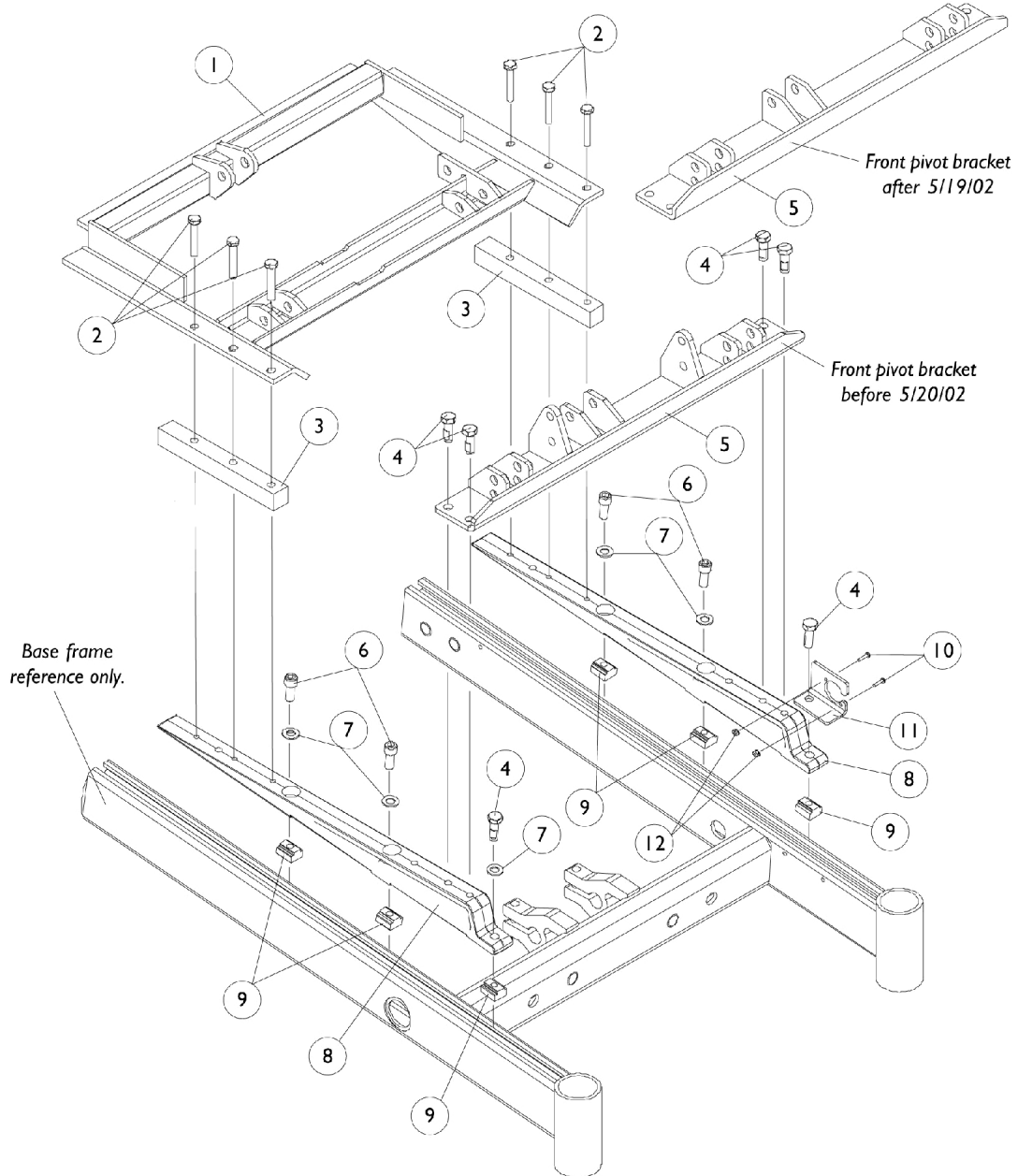


Base Frame Interface Hardware

RWD

Recline Only (2GR)



Base Frame Interface Hardware
RWD
Recline Only (2GR)

Item Number	Note	Part Number	Description	Quantity Per	
				Package	Assembly
1		1082873-NLA	NLA - Pivot Assembly, Rear	1	1
2		1030949	Screw, Hex Head (1/4-20 x 1-1/2")	1	6
3		1086943-NLA	NLA - Bar, Spacer, Black	1	2
4		1070462-NLA	NLA - Screw, Hex Head w/ Patch (5/16-18 x 7/8")	1	6
5	A	1082872-NLA	NLA - Bracket, Pivot, Front, Black	1	1
6		1086944-NLA	NLA - Screw, Socket Head (5/16-18 x 3/4")	1	4
7		1025704	Washer, Flat (5/16 x 5/8 x 1/16")	1	5
8		1082880-NLA	NLA - Support, Seat	1	2
9		1069724	T-Nut (5/16-18)	1	6
10		7930318-NLA	NLA - Package, Screw, Phillips Pan Head (#4-40 x 1/2")	25	1
11		1070430-NLA	NLA - Bracket, Charger Connector, Black	1	1
12		P0870X000	Nut, Hex Keps (#4-40)	1	2

NOTE: A - Front pivot bracket made before 5/20/02 is no longer available. For seating systems manufactured before 5/20/02, see Front Pivot Bracket and Links Kit page and order Kit part number 1112693.