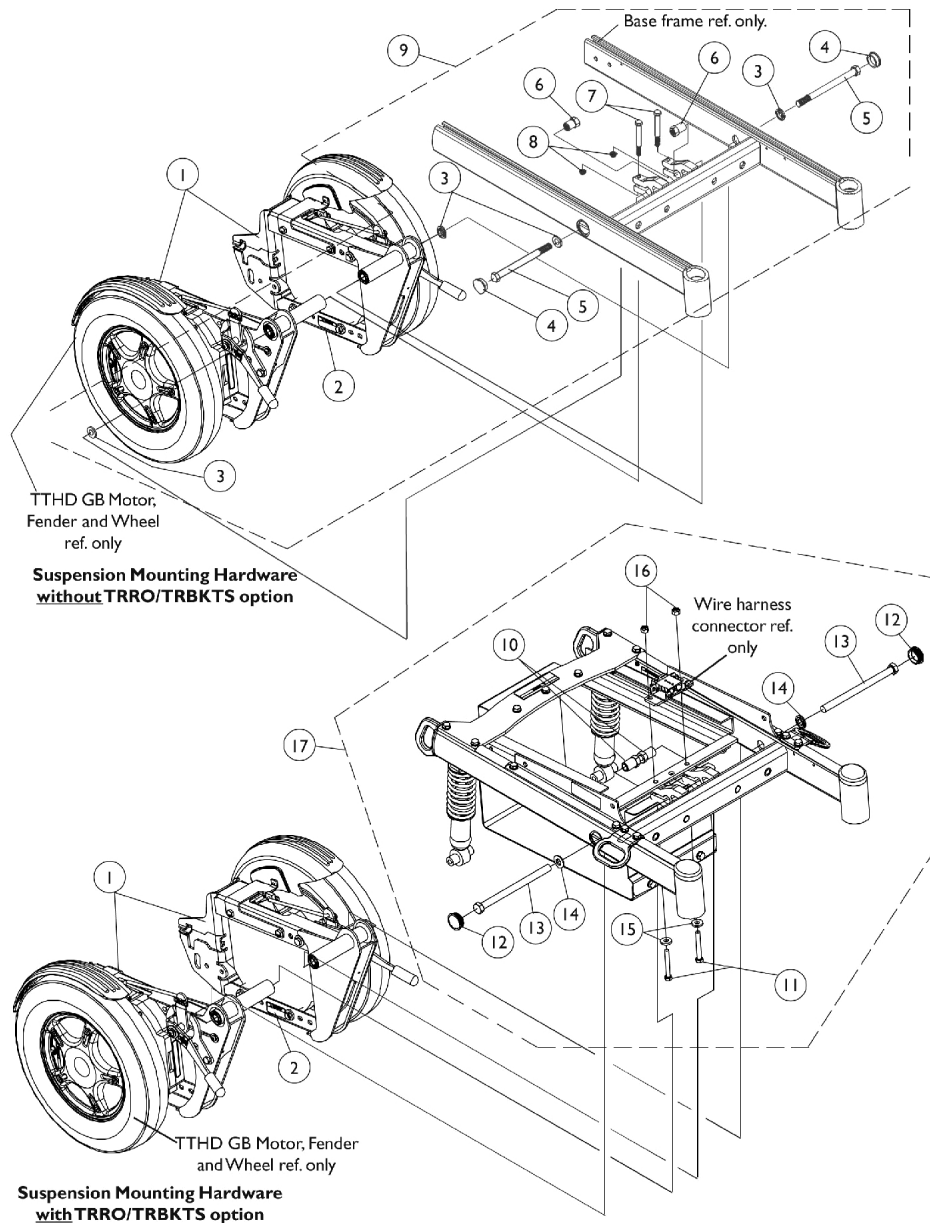


Suspension Arm and Mounting Hardware

Gearless/ Brushless

NOTE: TrueTrack Heavy Duty (TTHD) Gearless/Brushless motors were introduced ON-chair to Storm Arrow models 2/6/03.



Suspension Arm and Mounting Hardware

Gearless/ Brushless

NOTE: TrueTrack Heavy Duty (TTHD) Gearless/Brushless motors were introduced ON-chair to Storm Arrow models 2/6/03.

Item Number	Note	Part Number	Description	Quantity Per	
				Package	Assembly
1		1115486	Kit, Suspension Arm with Warning Decal, Black - Right	1	1
1		1115487-NLA	NLA - Kit, Suspension Arm with Warning Decal, Black - Left	1	1
2		1053056-NLA	NLA - Decal, Warning	1	1
9	A	1078243-NLA	NLA - Kit, Suspension Arm Mounting Hardware	2	1
3			NLA - Washer (1/2" I.D. x 7/8" O.D.)	1	4
4			Plug Button, Headtube, Black	1	2
5			NLA - Screw, Hex Head (1/2-20 x 7")	1	2
6			NLA - Nut, Shoulder (1/2-20)	1	2
7			NLA - Screw, Hex Head (5/16-18 x 2")	1	2
8			Locknut (5/16-18)	1	2
17	B	1135971-NLA	NLA - Kit, Suspension Mounting Hardware For TRRO/TRBKTS Option	2	1
10			NLA - Nut, Shoulder (1/2-20)	1	2
11			NLA - Screw, Hex Head (5/16-18 x 2-1/4")	1	2
12			Plug Button, Headtube, Black	1	2
13			NLA - Screw, Hex Head (1/2-20 x 7")	1	2
14			NLA - Washer (1/2" I.D. x 7/8" O.D.)	1	2
15			Washer, Flat (21/64 x 53/64 x 7/64")	1	2
16			Locknut (5/16-18)	1	2

NOTE: A - Includes items 3-8
B - Includes items 10-16