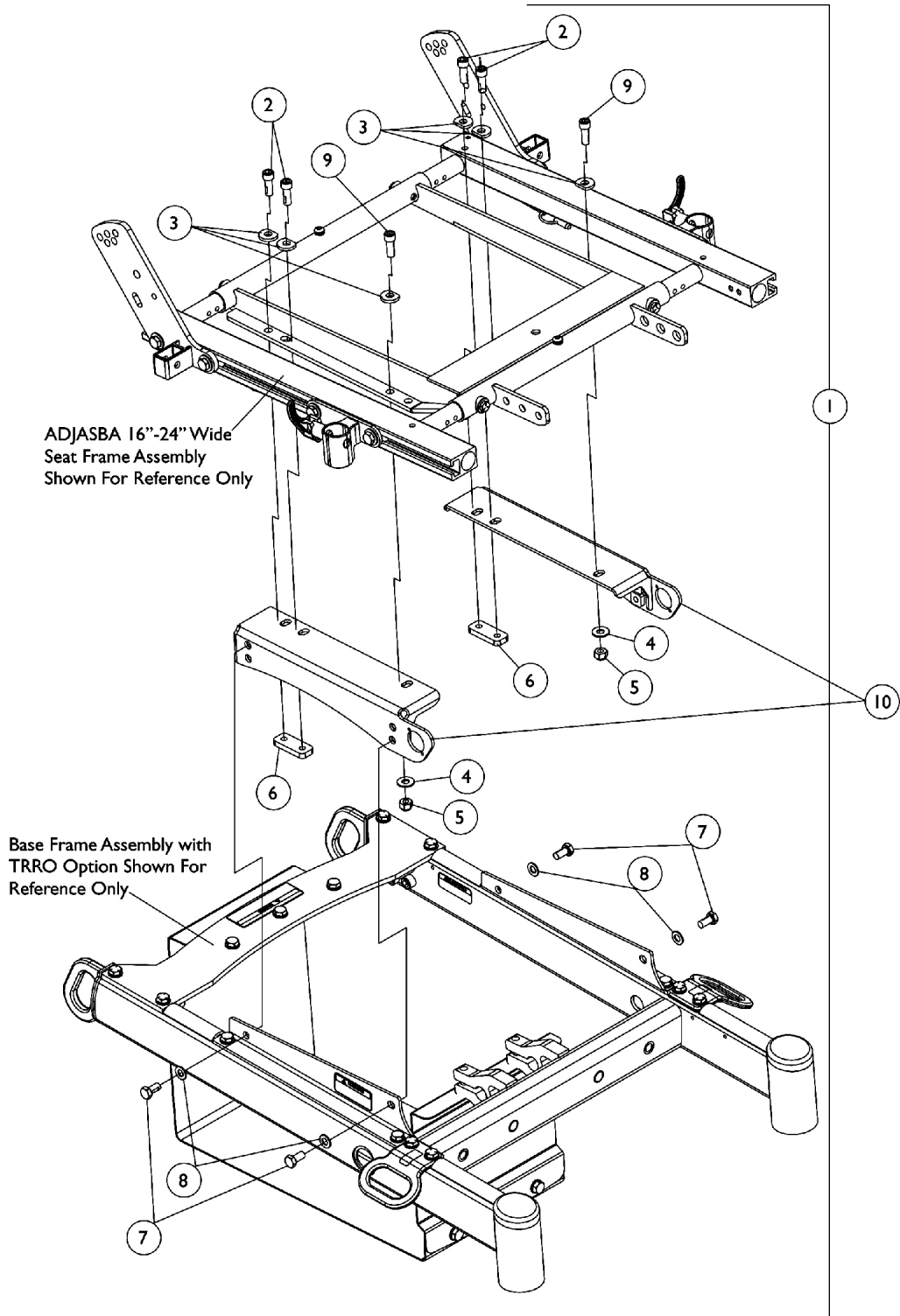


Seat Frame Mounting Hardware (16"-24" Wide) ADJASBA Seats with TRRO Option



Seat Frame Mounting Hardware (16"-24" Wide) ADJASBA Seats with TRRO Option

Item Number	Note	Part Number	Description	Quantity Per	
				Package	Assembly
1	A	1135970	Kit, Seat Frame Mounting Hardware 16"-24" Wide For TRRO Option	1	1
2			NLA - Screw, Socket Head w/ Patch (5/16-18 x 1")	1	4
3			NLA - Washer, Ground (11/32 x 13/16 x 1/8")	1	6
4			Washer, Flat (21/64 x 53/64 x 7/64")	1	2
5			Locknut (5/16-18)	1	2
6			Plate, Nut (5/16-18)	1	2
7			Screw, Hex Head w/ Patch (5/16-18 x 5/8")	1	4
8			Washer, Flat (5/16 x 5/8 x 1/16")	1	4
9			Screw, Socket Head (5/16-18 x 1-1/4")	1	2
10		1135964	Bracket, Seat Mounting Low, Black - Right	1	1
10		1135965	Bracket, Seat Mounting Low, Black - Left	1	1

NOTE: A - Includes items 2-9