

Base Frame Interface Hardware

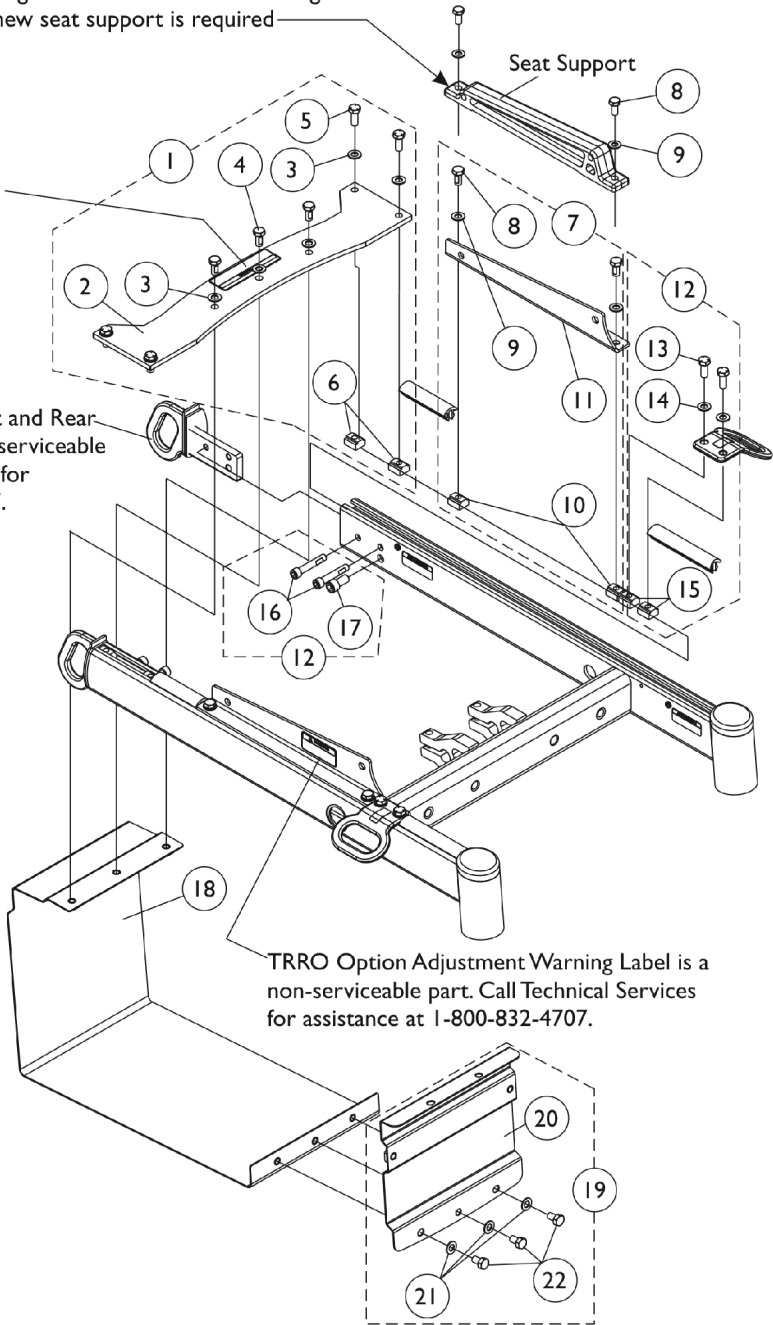
For ADJASBA Seat with TRRO/TRBKTS Option

NOTE: The Seat Support shown replaces item #11 Seat Support Bracket for TRBKTS applications. See page titled "Seat Frame Mounting Hardware" page for TRBKTS when a new seat support is required

TRRO option WC/19 Compliance Warning Label is a non-serviceable part. Call Technical Services for assistance at 1-800-832-4707.

TRRO/TRBKTS option Front and Rear Tie-Down Brackets are non-serviceable parts. Call Technical Services for assistance at 1-800-832-4707.

TRRO Option Adjustment Warning Label is a non-serviceable part. Call Technical Services for assistance at 1-800-832-4707.



Base Frame Interface Hardware For ADJASBA Seat with TRRO/TRBKTS Option

Item Number	Note	Part Number	Description	Quantity Per	
				Package	Assembly
1	A	1140263-NLA	NLA - Kit, Top Battery Support Bracket and Mounting Hardware	1	1
2			Bracket, Top Battery Support, Black	1	1
3			Washer, Flat (5/16 x 5/8 x 1/16")	1	7
4			Screw, Hex Head w/ Patch (5/16-18 x 5/8")	1	3
5			Screw, Hex Head w/ Patch (5/16-18 x 3/4")	1	4
6			T-Nut (5/16-18)	1	4
7	B	1140257-NLA	NLA - Kit, Seat Support Bracket w/ Mounting Hardware - Right	1	1
8			Screw, Hex Head w/ Patch (5/16-18 x 5/8")	1	2
9			Washer, Flat (5/16 x 5/8 x 1/16")	1	2
10			T-Nut (5/16-18)	1	2
11			Bracket, Seat Support, Black - Right	1	1
7	B	1140258-NLA	NLA - Kit, Seat Support Bracket w/ Mounting Hardware - Left	1	1
8			Screw, Hex Head w/ Patch (5/16-18 x 5/8")	1	2
9			Washer, Flat (5/16 x 5/8 x 1/16")	1	2
10			T-Nut (5/16-18)	1	2
11			Bracket, Seat Support, Black - Left	1	1
12	C	1140259-NLA	NLA - Kit, Front/Rear Tie-Down Brackets Mounting Hardware	2	1
13			NLA - Screw, Hex Head (5/16-18 x 3/4")	1	4
14			Washer, Flat (5/16 x 5/8 x 1/16")	1	4
15			T-Nut (5/16-18)	1	4
16			Screw, Socket Head w/ Patch (5/16-18 x 1-3/4")	1	4
17			NLA - Screw, Socket Head (3/8-16 x 3/4")	1	2
18		1135963	Bracket, Battery Support, Black	1	1
19	D	1140260-NLA	NLA - Kit, Front Battery Support Bracket with Mounting Hardware	1	1
20			Bracket, Battery Support, Front, Black	1	1
21			Washer, Flat (5/16 x 5/8 x 1/16")	1	3
22			NLA - Screw, Hex Head w/ Patch (5/16-18 x 1/2")	1	3
<p>NOTE: A - Includes items 2-6. This kit used when TRBKTS option is ordered. TRRO option uses the same retainer bracket with the addition of the WC/19 Compliance Warning Label attached</p> <p>B - Includes items 8-11</p> <p>C - Includes items 13-17</p> <p>D - Includes items 20-22</p>					