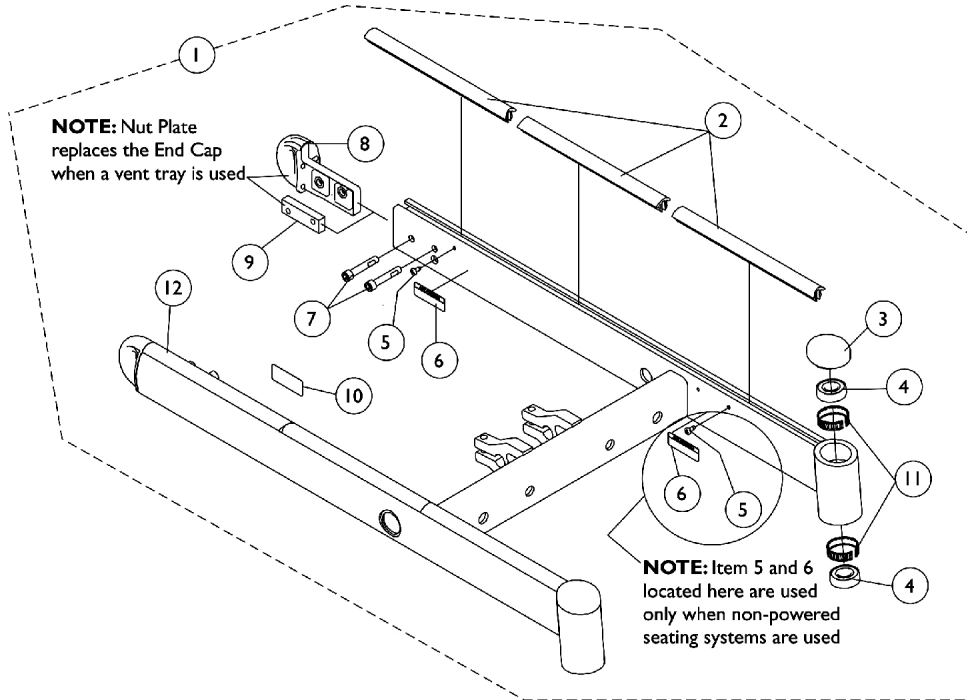


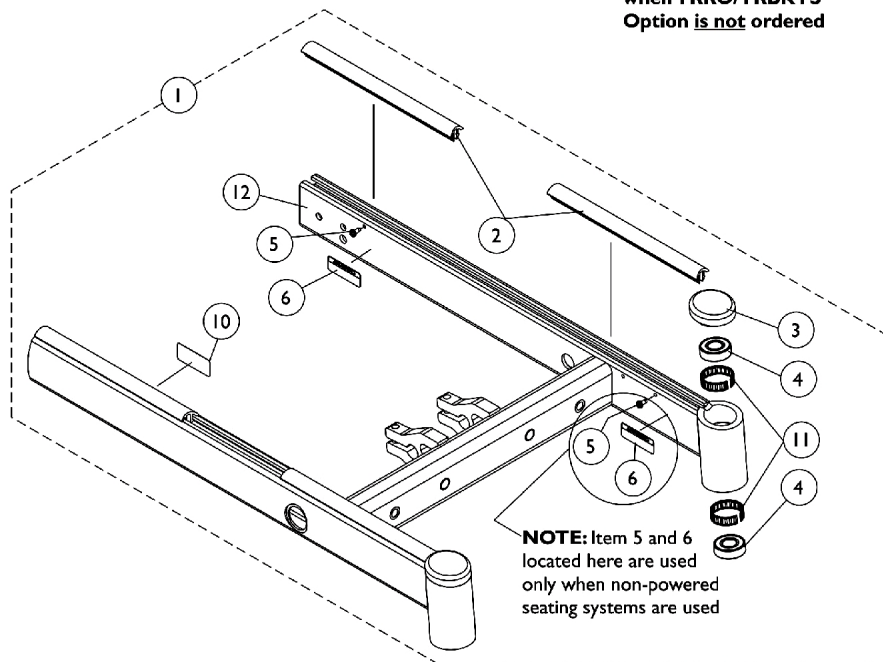
Base Frame Assembly

NOTE: "Base Frames are not available as a service part."

Wheelchair must be returned to Invacare when Base Frame needs replacement. Contact Invacare Customer Service for more information.



Base Frame Assembly when TRRO/TRBKTS Option is not ordered



Base Frame Assembly when TRRO/TRBKTS Option is ordered

Base Frame Assembly

NOTE: "Base Frames are not available as a service part."

Wheelchair must be returned to Invacare when Base Frame needs replacement. Contact Invacare Customer Service for more information.

Item Number	Note	Part Number	Description	Quantity Per	
				Package	Assembly
1	A	See Note	See Footnote	1	1
2	B	1104863	Package, Cover, Frame Rail - Right/Left	1	1
3		1101737	Cap, End, Tube, Black	1	2
4		40117X006	Bearing (5/8")	1	4
5		1025729	Screw, Phillips Pan Head Tap (#8-32 x 3/8")	1	1
6		1070497-NLA	NLA - Label, Caution	1	1
7		1104845	Screw, Socket Head w/ Patch (5/16-18 x 1-3/4")	1	4
8		1101719	Cap, End, Tube, Black - Right	1	1
8		1101720	Cap, End, Tube, Black - Left	1	1
9		1104762-NLA	NLA - Plate, Nut	1	2
10		1053056-NLA	NLA - Decal, Warning	1	1
11		1110717	Ring, Tolerance	1	4

NOTE: A - Item 1 is no longer available. Replacement parts may be ordered individually.
 B - Frame Rail Cover Package includes (3) Right and (3) Left Rail Covers. Short bases use only 2 per side.