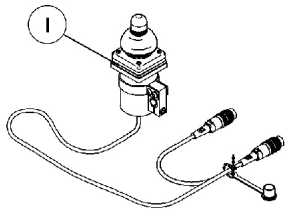
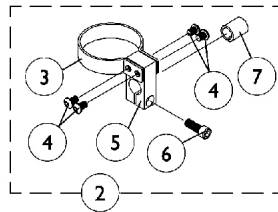


# Joystick Options

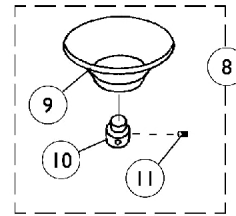


**ON CHAIR: 1812M4/1558  
DUAL/COMPACT JOYSTICK  
W/ MTG. HARDWARE**

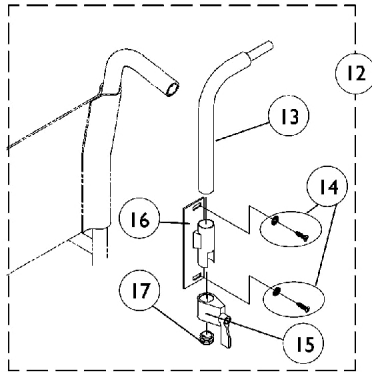
Used with MK5 display or MPJ joystick



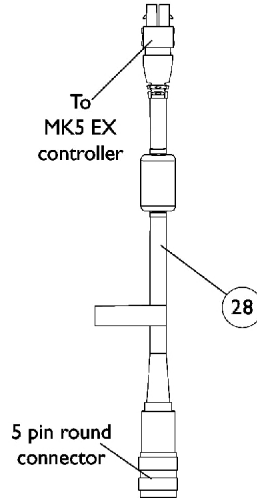
**DUAL/COMPACT JOYSTICK  
MOUNTING HARDWARE**



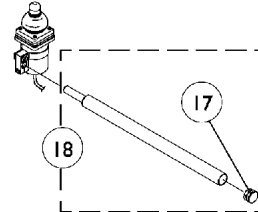
**ON CHAIR: 1826  
CHIN CUP ASSEMBLY**



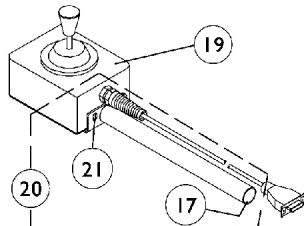
**ON CHAIR: 1673  
REAR CANE MOUNT**



**MK5 EX CONTROLLER  
OPTION CABLE**



**DUAL/COMPACT  
JOYSTICK  
ARM MOUNT**



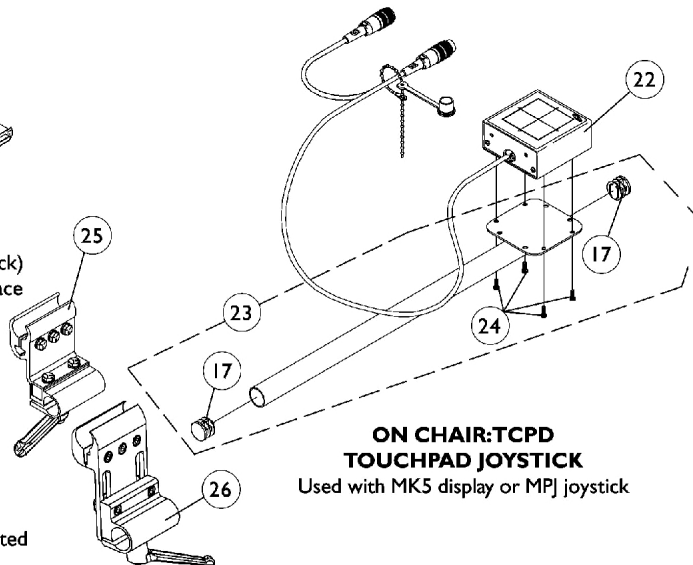
**ON CHAIR: 1556M  
HEAVY DUTY  
JOYSTICK**

Used with (MK5 display or MPJ joystick)  
with SNPM4 Sip-N-Puff/Digital interface



**ON CHAIR: 1817  
Reset Switch**

May be required for joystick options listed



**ON CHAIR: TCPD  
TOUCHPAD JOYSTICK**  
Used with MK5 display or MPJ joystick

# Joystick Options

Item Number	Note	Part Number	Description	Quantity Per	
				Package	Assembly
1		1038638-NLA	NLA - Joystick, MKIV Dual/Compact	1	1
2	A	1108012	Hardware, Dual/Compact Joystick Clamp Mounting	1	1
3		1025048	Clamp	1	1
4		1021460	Screw, Socket Button Head (#10-32 x 5/16")	1	4
5		1025045-NLA	NLA - Clamp, Mounting	1	1
6		1027089-NLA	NLA - Screw, Socket Head (#10-24 x 1/2")	1	1
7		1026273-NLA	NLA - Spacer, Split (3/8" I.D.)	1	1
8	B	60102524	Kit, Chin Cup Assembly - 1826	1	1
9		1017545	Cup, Chin	1	1
10	L	1017612-NLA	NLA - Screw, Adaptor	1	1
11		90032X000	Screw, Set Socket Cup Point (#8-32 x 1/4")	1	1
12	C	1044917	Hardware, Rear Cane Mount (1673/RCM)	1	1
13		1044918-NLA	NLA - Tube, Joystick	1	1
14		1026298	Package, Screw with Washer (#10 x 7/8") (Pair)	1	2
15		1027274	Adjustment Lock Assemnbly, Black	1	1
16		1025245-NLA	NLA - Bracket, Upright, Black -Right	1	1
17		1027095	Plug Button, Black (7/8")	1	1
18	D	1052309	Tube, Arm Mount with Plug Button, Black	1	1
19		1041544-NLA	NLA - Joystick, Heavy Duty	1	1
20	E	1052719-NLA	NLA - Kit, Straight Joystick Tube with Hardware	1	1
21		1016401-NLA	NLA - Screw, Phillips Round Head (#10-32 x 3/8")	1	3
22		1091353-NLA	NLA - Touchpad, Joystick Assembly	1	1
23	F	1092604-NLA	NLA - Kit, Straight Joystick Tube with Hardware	1	1
24		1052041	Screw, Phillips Pan Head (#4-40 x 3/8")	1	4
25	G	1093071	Clamp, Fixed Height Joystick Tube	1	1
26	K	1139422	Clamp, Height Adjustable Joystick Tube (ARM250)	1	1
27	I	1020818	Switch, Red Flex Ribbon (Tape) Reset	1	1
27	J	1123276	Kit, Switch, Black Egg Reset w/ Hook/Loop Adhesive Back Fastener & Attaching Screws (EGSBLK)	1	1
28	H	1118231-NLA	NLA - Cable, MK5 EX Controller Option	1	1

NOTE: A - Includes items 3-7  
 B - Includes items 9-11  
 C - Includes items 13-17  
 D - Includes item 17  
 E - Includes items 17 and 21  
 F - Includes items 17 and 24  
 G - Clamp assembly is used for all joystick tubes listed. Individual components are non-saleable  
 H - The 5 pin connector attaches to MKIV options  
 I - Before 5/24/04  
 J - After 5/23/04 the Egg Reset Switch replaced the Red Flex Ribbon (Tape) Reset Switch  
 K - Introduced 10/31/05 as option (ARM250) and can be used to replace a Fixed Height Joystick Clamp in the field. Individual components are non-saleable  
 L - Part #1017612 is no longer available as a service part individually. Order item #8 as a replacement.